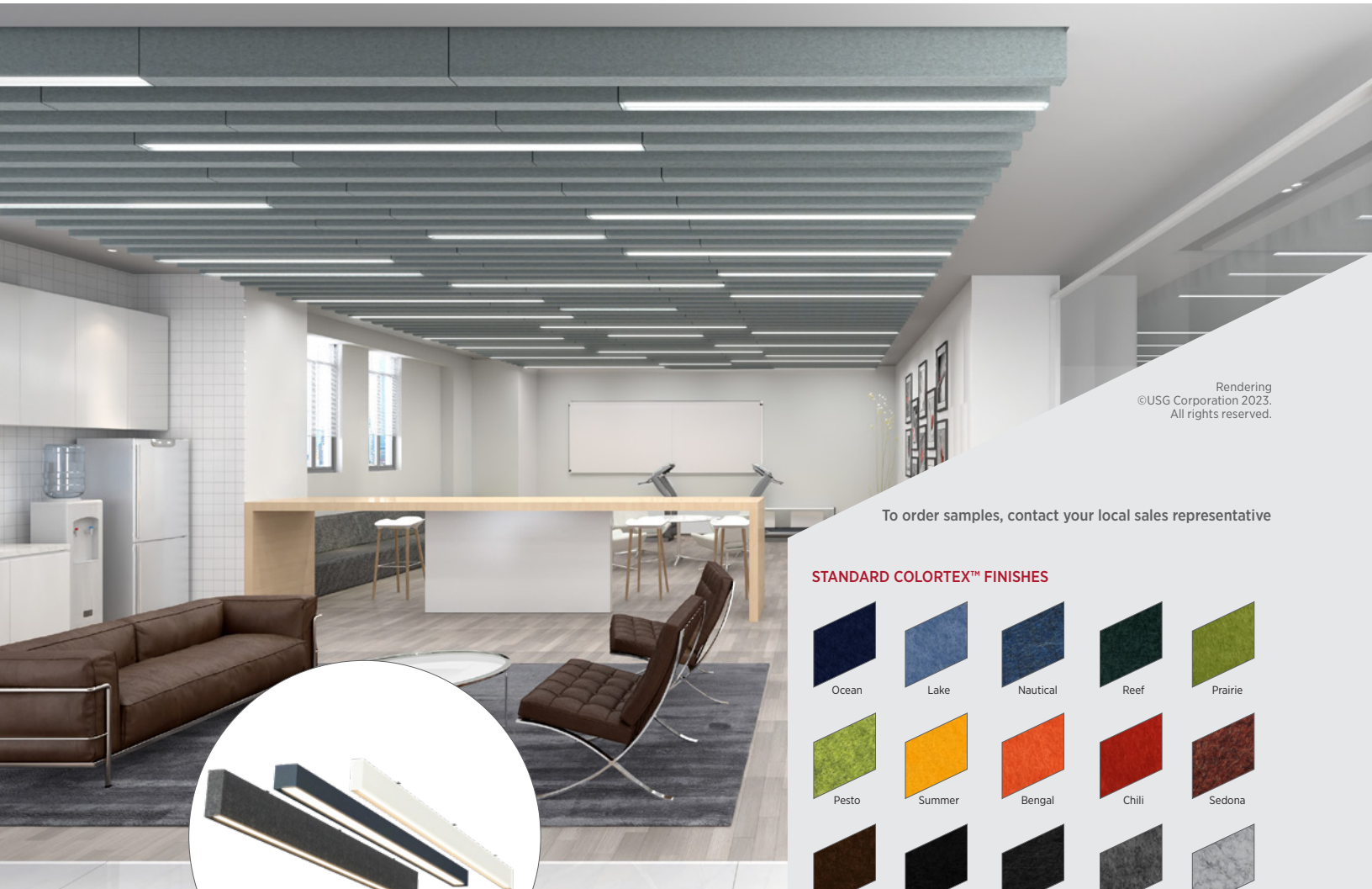


# USG Ceilings Plus<sup>®</sup> COLORTEX™ BARZ<sup>®</sup> + BRILLIANCE™ BAFFLES WITH INTEGRATED LIGHTING

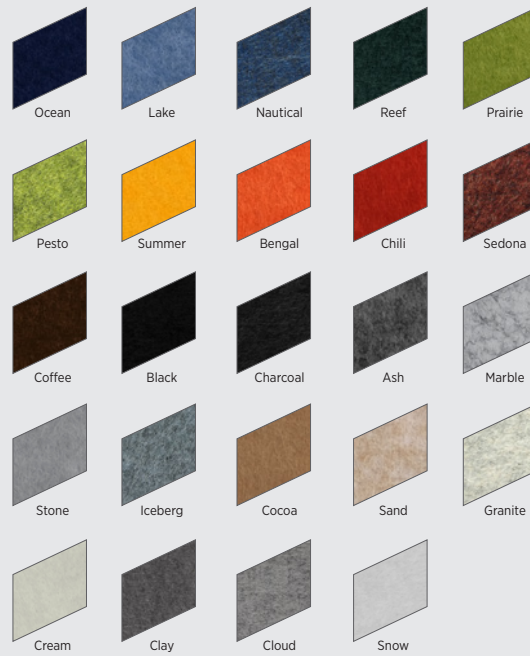


Rendering  
©USG Corporation 2023.  
All rights reserved.

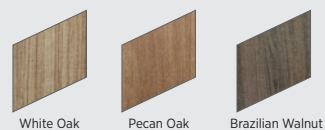
To order samples, contact your local sales representative



## STANDARD COLORTEX™ FINISHES



## WOODGRAIN COLORTEX™ FINISHES



### FEATURES AND BENEFITS

- Colortex™ Barz<sup>®</sup> baffles now includes Brilliance™ lighting – a fully factory integrated linear LED lighting solution.
- Colortex™ made from 100% recycled materials.
- Excellent acoustic performance with Array-NRC<sup>1</sup> up to 1.20.
- Multiple profiles and unlimited spacing allow for endless creative possibilities.
- Options for swivel-clip to standard grid or individual hung with aircraft cables provides easy and quick installation.

### APPLICATIONS

- Interior Applications
- Pods, Islands, and Clouds
- Wall to Wall Ceilings
- Sloped Ceilings
- New Construction or Renovation
- Downward Accessible

PERFORMANCE  
OPTIONS  
(Ceiling Components)

**Declare.** Declare® Labels on select finishes, see usg.ecomedes.com for more details and documentation.

Application	Grid Options	Finish	Accessibility	Ceiling Open %	Thickness	Array-NRC <sup>1</sup>	Perforation	Fire Class	Recycled Content	Maintenance	Weight
Interior	DX® Tee Grid	24 Standard Colors & 3 Wood Grains	Full	Varies	1/2" Thick	Array-NRC up to 1.20+	---	Class A, ASTM E84 CAN/ULC S102.2	100% (hardware excluded)	See architectural specification	Varies

PERFORMANCE OPTIONS  
(Lighting Components)

Application	Integration	Classifications	Operating Voltage	Certification	Dimming	Width of Light	Light Output @ 3500K	Average Power Consumption (for 8' section)	CRI	R9
Interior	Factory integrated turnkey system	Driver - Class 2 NEMA 4x LED - IP65	24 VDC	UL Listed	Dimmable Universal	1"	477 lm/ft	5.9W/ft	97	95
						2"	444 lm/ft	5.9W/ft	97	95
						3"	553 lm/ft	5.9W/ft	97	95

**Low Emissions (VOC)**

Certified low emitting performance for select finishes, meets CDPH 01350 v1.2 - 2017. Certificates of Compliance for Low VOC Emissions are available on usg.com and at usg.ecomedes.com.

Lighting Options	Light Color Options	Driver Options	
	3500K 4000K	** 2 channel driver powers a maximum of 32' of light ** Class-2 Power Supply 192W (96W X 2 Channel) 0-10V dimmable	See our Integrated Lighting Technical Guide IC341979 for more details

PRE-ENGINEERED  
OPTIONS

(1" width light)

**SECTION VIEW** **PROFILES** **LENGTHS**

\* All lengths available with 24" OC spacing when installing to existing tile 2'x2' ceiling

(2" width light)

**SECTION VIEW** **PROFILES** **LENGTHS**

\* All lengths available with 24" OC spacing when installing to existing tile 2'x2' ceiling

(3" width light)

**SECTION VIEW** **PROFILES** **LENGTHS**

\* All lengths available with 24" OC spacing when installing to existing tile 2'x2' ceiling

# Custom Options

## COLORTEX™ BARZ® + BRILLIANCE™

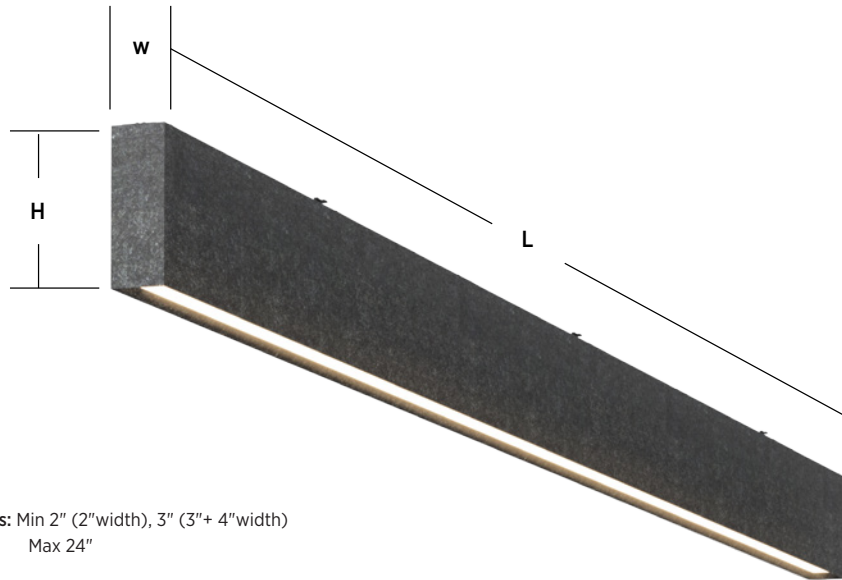
BAFFLES WITH INTEGRATED LIGHTING

ORDER SAMPLES/LITERATURE  
Contact your local sales rep.

TECHNICAL SERVICES  
Contact your local sales rep.

FOR MOST UP-TO-DATE  
TECHNICAL INFORMATION  
AND LEED REPORT TOOL  
Contact your local sales rep.

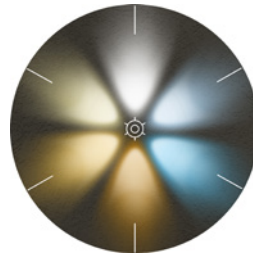
### CUSTOM SIZE OPTIONS



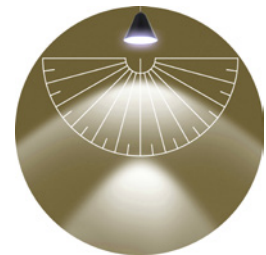
- **Height Options:** Min 2" (2" width), 3" (3" + 4" width)  
Max 24"
- **Width Options:** 2", 3", +4"
- **Length Options:** Min 6"  
Max 102"

### CUSTOM LIGHT OPTIONS

- Custom lumen output
- Custom tunable spectrum
- RGBW



Custom CCT available



Lighting layout and calculation services  
available upon request

### CUSTOM LAYOUT OPTIONS



# USG Ceilings Plus® Design Solutions

## COLORTEX™ BARZ® + BRILLIANCE™

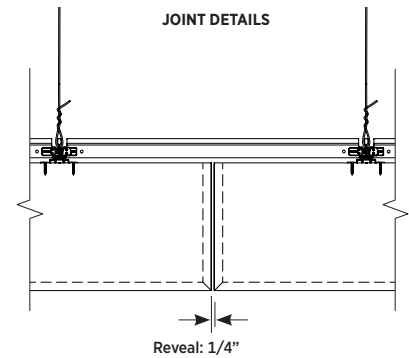
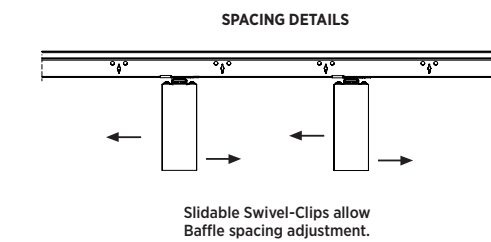
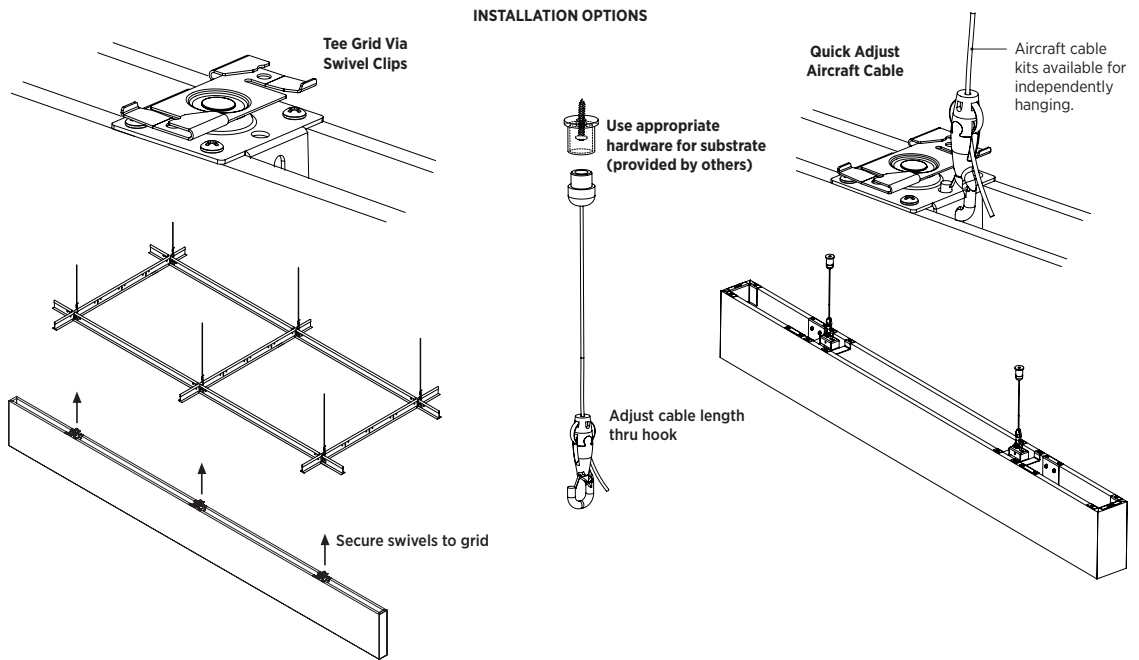
BAFFLES WITH INTEGRATED LIGHTING

**ORDER SAMPLES/LITERATURE**  
Contact your local sales rep.

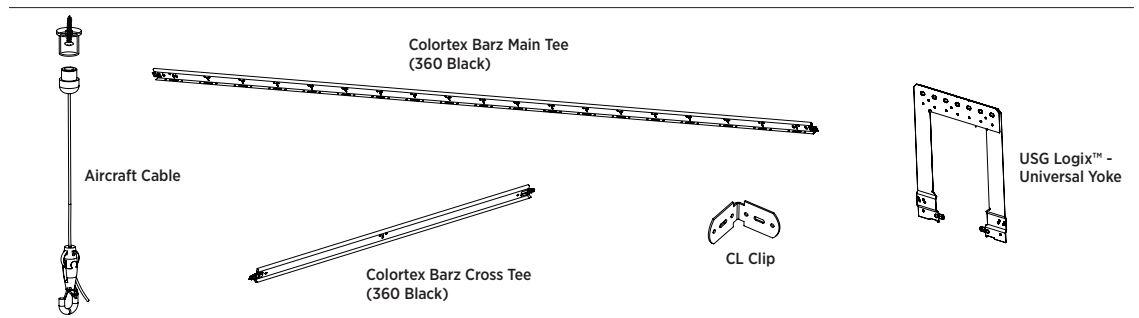
**TECHNICAL SERVICES**  
Contact your local sales rep.

**FOR MOST UP-TO-DATE TECHNICAL INFORMATION AND LEED REPORT TOOL**  
Contact your local sales rep.

### SYSTEM DETAILS



### ACCESSORIES



### PHYSICAL DATA

**Additional Documents and Resources**  
Architectural Specification: IC355853  
Installation Manual: IC277043  
Handling Guide: IC277043  
Warranty: SC2102  
Technical Guide: IC341979

**Fire Classification**  
Surface-burning characteristics  
ASTM E84: Class A  
CAN/ULC S102.2 results as follows:  
Flame Spread: 10  
Smoke Developed: 215

**Suspension System**  
Supporting main tees are classified as Heavy Duty as classified per ASTM C635 when tested in accordance with ASTM E3090 and AC368.

**Seismic Compliance**  
Suspension System is included in ICC ES ESR 1222 for use in Seismic Design Categories A through F when installed according to ASTM C636 and ASTM E580. Alternate installation methods may be used when designed by a registered engineer and approved by the authority having jurisdiction. Test reports for suspension system performance may be available upon request.

**Acoustic Performance**  
1. Array-NRC is calculated per ASTM C423 and varies with Colortex Barz® profile size and spacing. Colortex Barz® spaced closely together can achieve higher Array-NRC.

**Integration**  
Colortex Barz® can accommodate a full range of Third-Party systems for any design intent. Air diffusers, speakers, sprinklers and other ceiling attached accessories can be independently attached to deck within our ceilings. CAD details are available online at [www.usg.com](http://www.usg.com).

**Notice**  
The information in this document is subject to change without notice. CGC Inc. or USG Corp. assumes no responsibility for any errors that may inadvertently appear in this document.

**IC349072/rev. 7-25**  
© 2025 USG Corporation and/or its affiliates. All rights reserved. Printed in USA

Manufactured by USG Interiors, LLC  
550 West Adams Street  
Chicago, IL 60661

The trademarks USG, CEILINGS PLUS, CGC, Barz, Brilliance, Colortex, DX, LOGIX, the USG/CGC logo, the USG Ceilings Plus logo, the design elements and colors, and related marks are trademarks of USG Corporation or its affiliates.

Safety First! Follow good safety/industrial hygiene practices during installation. Wear appropriate personal protective equipment. Read SDS and literature before specification and installation.

