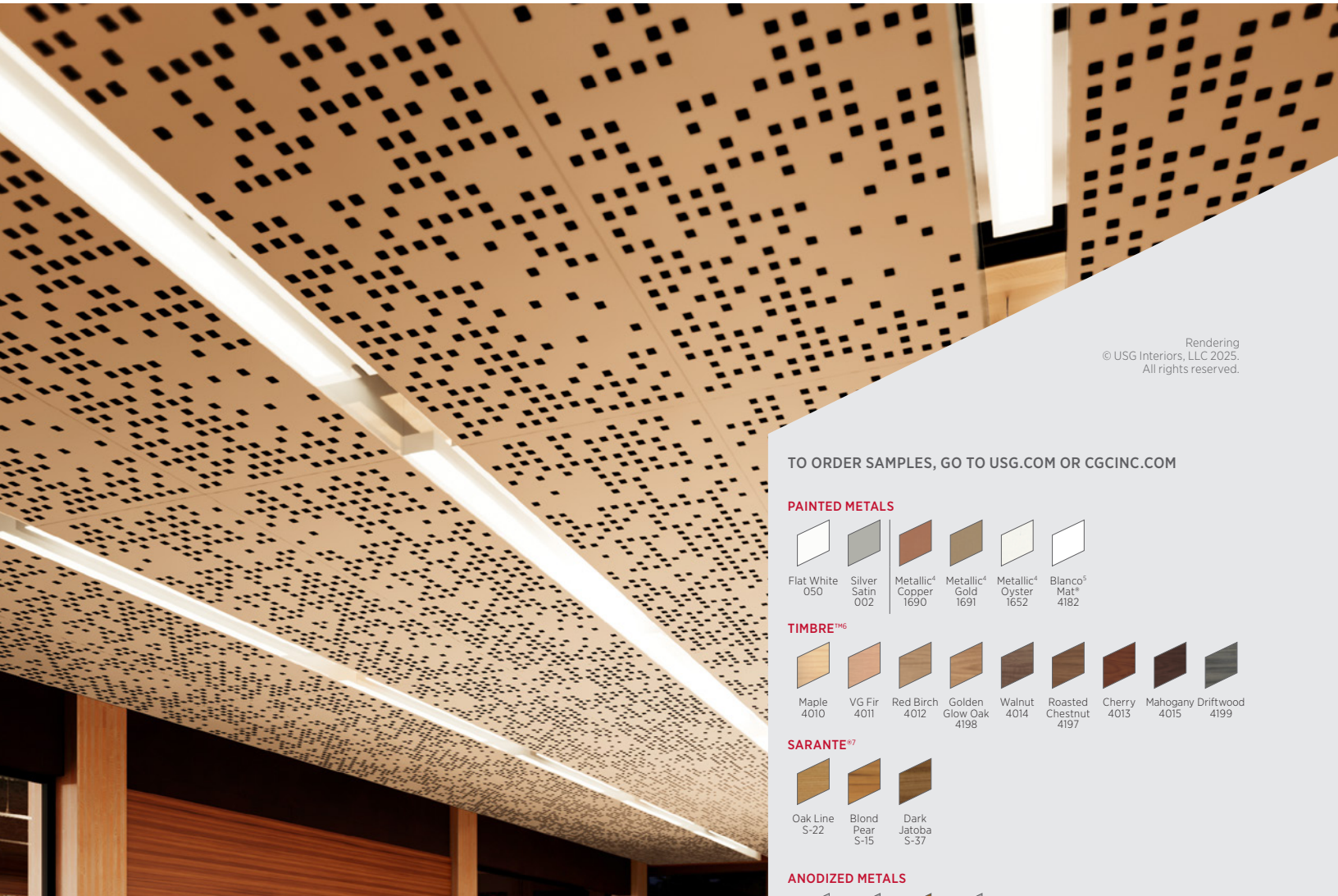


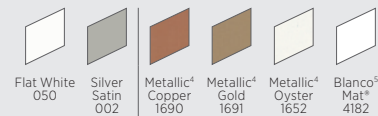
USG CELEBRATION™ SNAP-IN METAL PANELS



Rendering
© USG Interiors, LLC 2025.
All rights reserved.

TO ORDER SAMPLES, GO TO USG.COM OR CGCINC.COM

PAINTED METALS



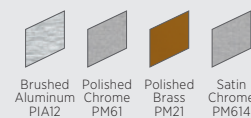
TIMBRE™⁶



SARANTE™⁷



ANODIZED METALS



CUSTOM COLORS AVAILABLE



*Grid and trim available in painted coordinating colors.

FEATURES AND BENEFITS

- Aluminum panels provide a monolithic appearance.
- Easy installation into standard USG Donn® Brand Finline® DXF™ Acoustical Suspension System.
- Aluminum panels are positively attached to the suspension system through engineered connection.
- Downward panel access is excellent for shallow plenum areas.
- Wall-mount solution available.
- Wind load tested and approved, including Miami-Dade NOA, for exterior applications with proper bracing and framing.

APPLICATIONS

- Interior and Exterior Applications
- Pods, Islands, and Clouds
- Wall to Wall Ceilings
- Sloped Ceilings
- New Construction or Renovation
- Downward Accessible Ceilings
- Concealed Grid

Perforation C500G

USG CELEBRATION™ SNAP-IN METAL PANELS

ORDER SAMPLES/LITERATURE
 USG: usg.com or samplitt@usg.com
 CGC: contact Sales Representative

TECHNICAL SERVICES
 800.USG.4YOU (874-4968)

FOR MOST UP-TO-DATE TECHNICAL INFORMATION AND LEED REPORT TOOL
 usgdesignstudio.com
 cgcdesignstudio.com
 usg.ecomedes.com



Declare. Declare® Labels on select finishes, see usg.ecomedes.com for more details and documentation.

PRODUCT INFORMATION

Materials	Finishes	Typical Module Sizes ¹	Plenum Depth	Weight
Aluminum panels	Painted, Sarante® or anodized in a variety of optional perforation and embossing patterns.	1'x 4', 1'x 5', 2'x 2', 2'x 4', 2'x 6', 2'x 8', 4'x 4', 20" x 60", 30" x 30", 30" x 60" Custom sizes available	Since panels are installed from below, the clearance for installation and removal of panels is minimal. Additional plenum clearance of up to 9" may be required for air boot and lighting installations, depending on the unit selected.	Approximately 0.53 lb./sq. ft., not including lights and air diffusers.

GRID LAYOUT

The modular nature of USG Celebration™ Snap-In panels must be considered when an assembly is designed. The main tees and cross tees must be installed exactly on module lines. USG Celebration Snap-In panels cannot be installed across main tee and a 4 ft. cross tee. Panels may be field-cut at walls and columns or terminated at a grid module for island installations. Larger panels will require cross tees at their midspan². Please refer to IC592 for more information.

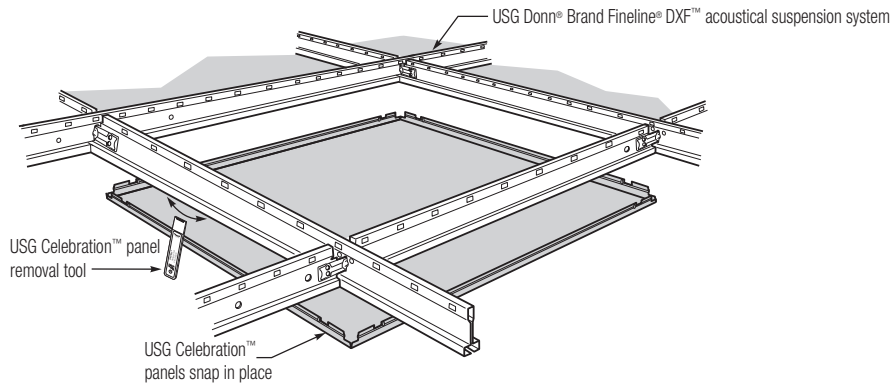
ACOUSTICS³

Description	Optional Acoustical Material	Sound Rating - NRC	
		Perforation CD06305NB (A062)	Perforation CD11717 (A116)
Perforated Panel	Acoustibond™ backer	0.60	0.70
Perforated Panel	2", 0.75 lb. fiberglass in polybag (by others)	0.85	0.90

CODE APPROVAL

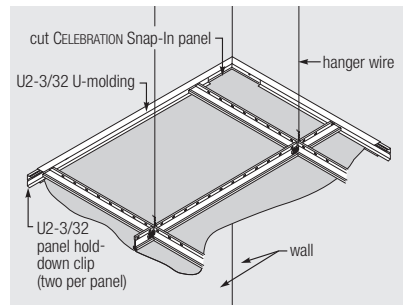
USG Celebration™ Snap-In panels provide a continuous interlock with the suspension system through positive attachment. Supporting grid is capable of sustaining loads greater than those imposed by the USG Celebration system when installed in accordance with manufacturer's instructions. The system meets requirements of ASTM C635 and tested per AC368. See ICC-ES ESR 1222. See NOA No. 24-1011.08 report for the wind and hurricane classified system requirements.

PERSPECTIVE

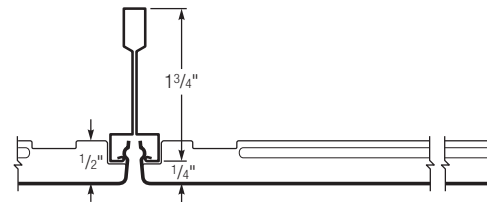


DETAILS AND ACCESSORIES

Perimeter Detail



Edge Detail



Low Emissions (VOC)

Certified low emitting performance for select finishes, meets CDPH 01350 v1.2 - 2017. Certificates of Compliance for Low VOC Emissions are available on usg.com and at usg.ecomedes.com.

High Recycled Content

USG classifies High Recycled Content as greater than 50%. Methodology of calculation based on FTC guidelines.

PHYSICAL DATA

Additional Documents and Resources

System Brochure: IC415
 Perforations Selection Guide: IC425
 Installation Guide: IC462
 Exterior Ceiling Systems Guide: SC2561
 Warranty: SC2102
 Wall Mount: IC605
 Handling Guide: IC518

Online Tools

usgdesignstudio.com,
 cgcdesignstudio.com
 or usg.ecomedes.com

Fire Classification

ASTM E84 and CAN/ULC S102 surface-burning characteristics (with Acoustibond™ backer)
 Class A
 Flame spread: 25 or less
 Smoke developed: 50 or less

Suspension System

Supporting main tees are classified as Heavy Duty as classified per ASTM C635 when tested in accordance with ASTM E3090 and AC368.

Seismic Compliance

Suspension System is included in ICC ES ESR 1222 for use in Seismic Design Categories A through F when installed according to ASTM C636 and ASTM E580. Alternate installation methods may be used when designed by a registered engineer and approved by the authority having jurisdiction. Test reports for suspension system performance may be available upon request.

Limitation

Some commercially acceptable color variation may occur between lots and between different size products of the same color. For more information about metal ceiling finishes, refer to *Metal Ceilings Technical Guidelines* published by the Ceilings & Interior Systems Construction Association.

Recycled Content

USG Celebration™ Snap-In Metal Panels: up to 95% recycled content.

Notes

- Additional sizes available on request.
- If panel length is ≥ 60 inches then one stabilizer bar or cross tee is required at midpoint.
 - If panel length is ≥ 96 inches then two stabilizer bars or cross tees are required at the 1/3 and 2/3 points.
 - Cross tees ≥ 96 inches used in large modules shall have hanger wires installed minimum 4 ft. o.c.
- Refer to IC425 for additional NRC information based on perforation pattern.
- Celebration™ Snap-In panels available in Metallics up to 2' wide and up to 6' long.
- Celebration™ Snap-In panels available in Blanco Mat® 4182 up to 2' wide and up to 6' long.
- Celebration™ Snap-In panels available in Timbre™ up to 2' wide and up to 6' long.
- Celebration™ Snap-In panels available in 3 standard Sarante® up to 2' wide and up to 6' long. The 3 standard Sarante® are for interior applications only. Sarante is limited to larger size perforation holes with 1/16" diameter min.

Client: Resurrection Roman Catholic Parish, Regina, Saskatchewan
 Architect: Stantec Architecture Ltd.
 Structural: JC Kenyon Engineering
 Mechanical: Stantec Consulting
 Electrical: Ritenburg and Associates Ltd.
 Interior Design Consultant: Innovative Interiors

Notice

The information in this document is subject to change without notice. CGC Inc. or USG Corp. assumes no responsibility for any errors that may inadvertently appear in this document.

IC308/rev. 12-25

© 2025 USG Corporation and/or its affiliates. All rights reserved. Printed in U.S.A.

Manufactured by USG Interiors, LLC
 550 West Adams Street
 Chicago, IL 60661

The trademarks USG, CGC, ACOUSTIBOND, BLANCO MAT, CELEBRATION, COMPASSO, DONN, DXF, FINELINE, SARANTE, TIMBRE, IT'S YOUR WORLD, BUILD IT., the USG/CGC logo, the design elements and colors, and related marks are trademarks of USG Corporation or its affiliates.

Safety First! Follow good safety/industrial hygiene practices during installation. Wear appropriate personal protective equipment. Read SDS and literature before specification and installation.

