

3M™ High Flow Series Housings

Housings for High Flow Series Filters

The 3M™ High Flow series housing range is constructed of 316L stainless steel Housing body and 316 stainless steel (flanges, cartridge plug-base) and has a maximum allowable working pressure of 150 psi @ 250°F (10 bar @ 121°C). The outer surface finish is electropolished and the housing's internal finish is bead blasted.

3M High Flow Series filter housings are available in a variety of standard sizes to accommodate from 1 to 7 filter cartridges in 10-inch, 40-inch and 60-inch lengths. The standard housings are also designed to meet global requirements such as:

- European Pressure Equipment Directive 2014/68/EU
- ATEX Directive 2014/34/EU, for use in ATEX condition II 2 GD c IIC/IIIC
- Australian Standard AS 1210 Pressure Vessel
- ASME Section VIII Div2 U-stamp (US versions)
- Housing wetted parts are 316/316L stainless steel (Generally Regarded As Safe) with o-rings that are compliant for food contact.

Marking and documentation

The housings are clearly marked and delivered with a Certificate of Conformity. The user of these housings must ensure they are used in compliance with the requirements of local regulations, and in accordance with the instruction manual supplied.

Features & Benefits

Compact design

- *Smaller diameter housing vs. those of conventional filters for a given flow rate*

Robust cartridge center-post design

- *Eliminates bulky support plates providing easy access to housing internals.*

Manufactured from 316 and 316L stainless steel

- *Excellent corrosion protection*
- *Generally regarded as safe for food contact*

Upstream and downstream gauge ports and drains

Hinged cover (single-round housings) and user-friendly cover lifting device (multi-round housings)

- *Allows for easy element change-outs*



Applications

Industrial Water:

- Municipal water
- Pre-RO filtration
- Reclaimed water
- Coolants
- Condensate

Chemical:

- Quench water
- Final product load-out
- Process cooling water

Petrochemicals:

- Waterflood
- Produced water
- Enhanced oil recovery
- Completion fluids
- Amine sweetening

Electronics:

- Pre-RO filtration
- Process cooling water

Food and Beverage:

- Process and blending water
- Bottled water
- Beer clarification

*Refer to Technical Support Guide for additional information.

3M High Flow Filter Single Cartridge Housings, Model 01HF

| Housing Model | Housing OD (in/mm) | Inlet & Outlet Flange Size (in/DN) | Vent & Drain NPT (in/mm) | Maximum Flow (gpm/lpm) | Empty Weight (lbs / kg) | Housing Dimension, approximate ² length x width x height (in / mm) |
|---------------------|--------------------|------------------------------------|------------------------------|------------------------|-------------------------|---|
| 01HF10 ¹ | 8 / 203.2 | 2 / 50 | 0.25 / 6.35 | 85 / 320 | 39.7 / 18 | L – 12 / 304.8 W – 8 / 203.2 H – 24 / 609.6 |
| 01HF40 | 8.5 / 216 | 4 / 100 | 0.25 and 0.75 (6.35 & 19.05) | 350 / 1325 | 121.25 / 55 | L – 60 / 1524 W – 9.9 / 252 H – 12.8 / 326 |
| 01HF60 | 8.5 / 216 | 4 / 100 | 0.25 and 0.75 (6.35 & 19.05) | 500 / 1893 | 143.3 / 65 | L – 81 / 2057 W – 9.9 / 252 H – 12.8 / 326 |

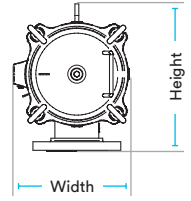
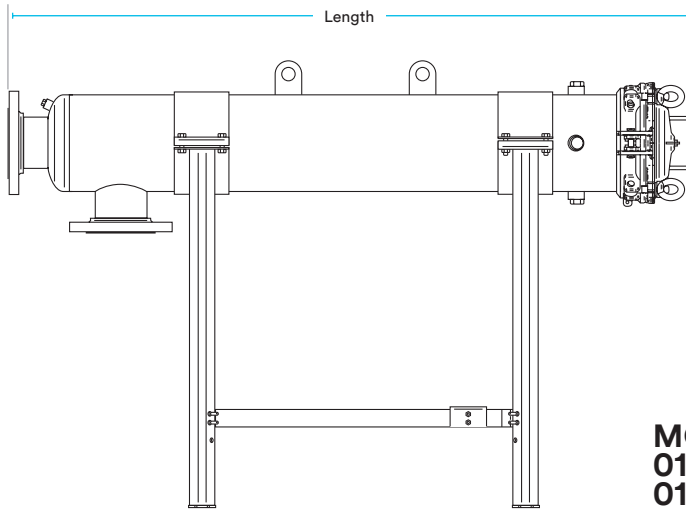
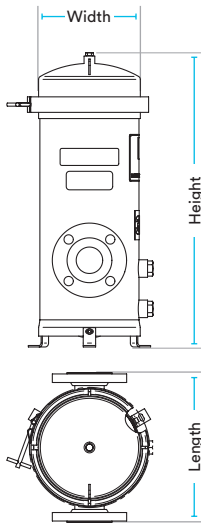
¹ 10 inch High Flow housing is available only in non-ASME code design

² Single round 40 inch and 60 inch housing dimension without mounting legs; this allows for mounting the housings on a frame. Standard mounting legs are available as an optional accessory and can be obtained separately. Horizontal design mounting legs fits both 40" and 60" housings. Leg assemblies are also available for the housing for the 40" housing in the vertical orientation.

3M High Flow Filter Multi-Around Cartridge Housings, Models 03HF, 05HF, 07HF

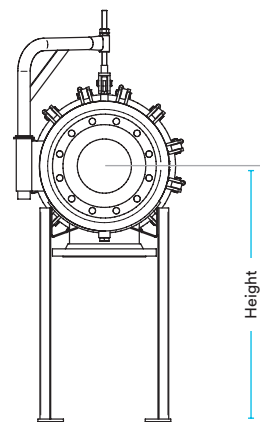
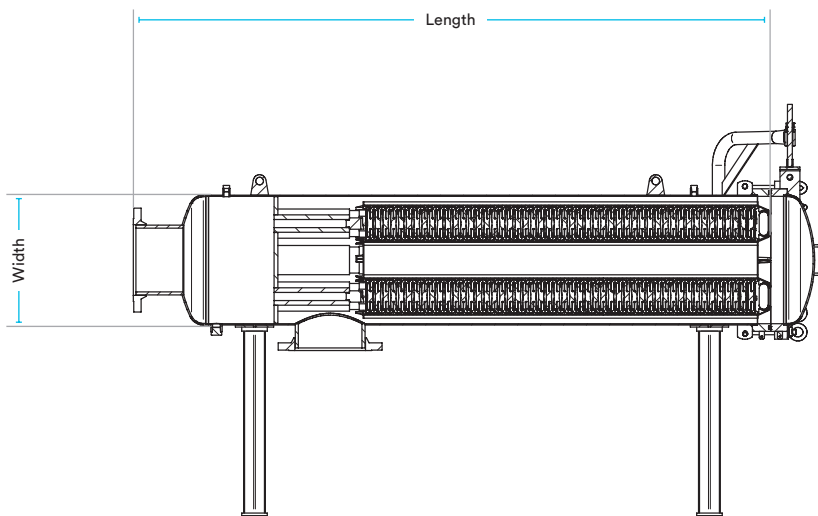
| Housing Model | Housing OD (in/mm) | Inlet & Outlet Flange Size (in/DN) | Vent & Drain NPT (in/mm) | Maximum Flow (gpm/lpm) | Empty Weight (lbs / kg) | Housing Dimension, approximate length x width x height (in / mm) |
|---------------|--------------------|------------------------------------|--------------------------|------------------------|-------------------------|--|
| 03HF40 | 16 / 406 | 6 / 150 | 0.5 / 12.7 | 350 / 1325 | 489.5 / 222 | L – 71.2 / 1808.5 W – 15.98 / 406 H – 39.4 / 1000 |
| 03HF60 | 16 / 406 | 8 / 200 | 0.5 / 12.7 | 500 / 1893 | 586.5 / 266 | L – 94.25 / 2394 W – 15.98 / 406 H – 39.4 / 1000 |
| 05HF40 | 20 / 508 | 8 / 200 | 0.5 / 12.7 | 1550/5867 | 751.8 / 341 | L – 75.1 / 1908 W – 20 / 508 H – 39.4 / 1000 |
| 05HF60 | 20 / 508 | 10 / 250 | 0.5 / 12.7 | 2450/9274 | 888.5 / 403 | L – 98.2 / 2494 W – 20 / 508 H – 39.4 / 1000 |
| 07HF40 | 22 / 560 | 10 / 200 | 1 / 25.4 | 2450/9274 | 945.8 / 429 | L – 81.6 / 2073 W – 22.1 / 560 H – 39.4 / 1000 |
| 07HF60 | 22 / 560 | 12 / 300 | 1 / 25.4 | 3500/13249 | 1084.7 / 492 | L – 100.2 / 2545 W – 22.1 / 560 H – 39.4 / 1000 |

**MODEL
01HF10**



**MODELS
01HF40
01HF60**

**MODELS
03HF
05HF
07HS**



In addition to the standard housing designs, the 3M™ High Flow can be built upon request to a wide range of specifications, design and construction standards. Please consult your local 3M SPSP representative for further information.

Oil & gas service:

Specially designed 3M High Flow Series housings are available upon request to accommodate requirements typically found in oil & gas applications:

- Corrosion allowances
- Higher pressure ratings
- Swing bolt closure design
- Non-destructive examination
- NACE (National Association of Corrosion Engineers) Compliance
- Post weld heat treatment

| Intended Uses |
|---|
| <p>The 3M High Flow Series Filter Housings Series Filters are intended for use in standard industrial filtration applications of aqueous fluids in accordance with the applicable product instructions and specifications.</p> <p>3M High Flow Series Filter Housings Series Filter products are also intended for use with non-aqueous fluids where materials of construction are compatible.</p> <p>Certain limited 3M High Flow Series Filter Housings Series Filter products are also intended for use in Food and Beverage (F&B) applications. Refer to the specific 3M High Flow Series Filter Housings Series Filter product's data sheet to determine whether it includes a F&B designation and can be used for such applications.</p> <p>Since there are many factors that can affect a product's use, the customer and user remains responsible for determining whether the 3M product is suitable and appropriate for the user's specific application, including user conducting an appropriate risk assessment and evaluating the 3M product in user's application.</p> |
| Restrictions on Use |
| <p>3M advises against the use of these 3M products in any application other than the stated intended use(s), since other applications have not been evaluated by 3M and may result in an unsafe or unintended condition. Do not use in a medical device, drug, or cosmetic application or in applications involving life-sustaining medical applications or prolonged contact with internal bodily fluids or tissues. If you are considering using this 3M product for a restricted use, you must first contact 3M with information about your proposed application to request prior written authorization for supply for such use.</p> |
| Technical Information |
| <p>The technical information, guidance, and other statements contained in this document or otherwise provided by 3M are based upon records, tests, or experience that 3M believes to be reliable, but the accuracy, completeness, and representative nature of such information is not guaranteed. Such information is intended for people with knowledge and technical skills sufficient to assess and apply their own informed judgment to the information. No license under any 3M or third party intellectual property rights is granted or implied with this information.</p> |
| Product Selection and Use |
| <p>Many factors beyond 3M's control and uniquely within user's knowledge and control can affect the use and performance of a 3M product in a particular application. As a result, customer is solely responsible for evaluating the product and determining whether it is appropriate and suitable for customer's application, including conducting a workplace hazard assessment and reviewing all applicable regulations and standards (e.g., OSHA, ANSI, etc.). Failure to properly evaluate, select, and use a 3M product and appropriate safety products, or to meet all applicable safety regulations, may result in injury, sickness, death, and/or harm to property.</p> |
| Warranty, Limited Remedy, and Disclaimer |
| <p>Unless a different warranty is specifically stated on the applicable 3M product packaging or product literature (in which case such warranty governs), 3M warrants that each 3M product meets the applicable 3M product specification at the time 3M ships the product. 3M MAKES NO OTHER WARRANTIES OR CONDITIONS, EXPRESS OR IMPLIED, INCLUDING, BUT NOT LIMITED TO, ANY IMPLIED WARRANTY OR CONDITION OF MERCHANTABILITY, FITNESS FOR A PARTICULAR PURPOSE, OR ARISING OUT OF A COURSE OF DEALING, CUSTOM, OR USAGE OF TRADE. If a 3M product does not conform to this warranty, then the sole and exclusive remedy is, at 3M's option, replacement of the 3M product or refund of the purchase price.</p> |
| Limitation of Liability |
| <p>Except for the limited remedy stated above, and except to the extent prohibited by law, 3M will not be liable for any loss or damage arising from or related to the 3M product, whether direct, indirect, special, incidental, or consequential (including, but not limited to, lost profits or business opportunity), regardless of the legal or equitable theory asserted, including, but not limited to, warranty, contract, negligence, or strict liability.</p> |



3M Separation and Purification Sciences Division

3M United Kingdom PLC
 3M Centre, Cain Road
 Bracknell RG12 8HT
 Berkshire
 +44(0) 845 6025 237

3M Ireland Ltd
 The Iveagh Building
 The Park, Carrickmines
 Dublin 18
 +353 (01) 280 3555

3M is a trademark of 3M Company.
 All other trademarks are the property of their respective owners.
 © 2021 3M Company. All rights reserved.
 70-2016-0325-8