

NanoSHIELD™ Hollow Fiber Series Filter Capsules

Installation Instructions for NanoSHIELD™ Filter Capsules

Intended Use

The NanoSHIELD hollow fiber series disposable capsules are intended for use in filtering process fluids in an industrial and electronics environment and have not been evaluated for other uses. This product must be installed according to these installation instructions. It is the end user's responsibility to ensure process fluids are compatible with the materials of construction and can be safely used.

⚠ Explanation of Signal Word Consequences

⚠ Caution:

Indicates a potentially hazardous situation which, if not avoided, may result in minor or moderate injury and/or property damage.

Notice

Indicates a potentially hazardous situation, which, if not avoided, may result in property damage.

⚠ Caution

To reduce the risk associated with exposure to contaminants:

- Dispose of used filter product in accordance with federal, state, and local laws and regulations.
- Ensure that all system pressure has been relieved and inlet/outlet valves are closed prior to opening the system to atmosphere.
- Use filter for liquid service only. Not for continuous gas service. Use of compressed gas is permissible to clear filter of liquid. Limit pressure to clear liquid to 58 psig at 77° F (4 bars at 25°C).
- Do not use a capsule that has been damaged or has damaged components.
- Do not modify the capsules or its components.
- Always use appropriate personal protective equipment (PPE) when installing or operating 3M NanoSHIELD capsule.

Notice

To reduce the risk of property damage associated with improper flaring:

- Do not use a flaring tool that has been damaged or has damaged components.
- Do not use the incorrect attachments for the intended tubing.
- Use the flaring tool for appropriately sized Flowell® fittings only.

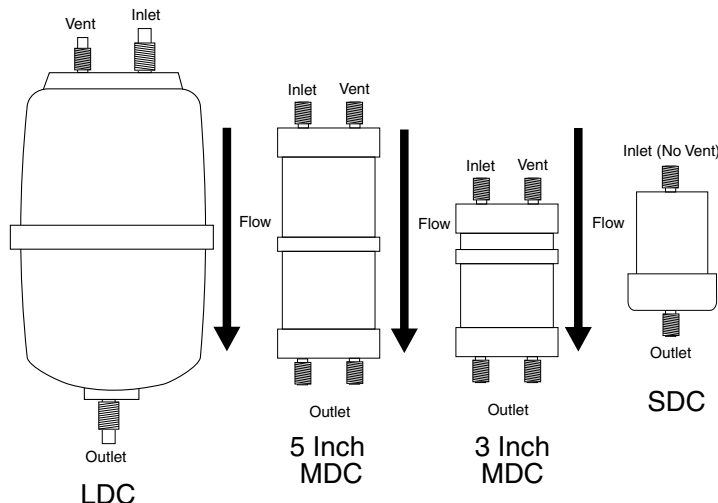
Filter Packaging

NanoSHIELD™ hollow fiber series filter capsules are double-bagged for cleanroom service and should remain packaged until installation. Inspect, but do not remove the filter from the protective bags unless you are in a clean environment. Contact your 3M Purification Representative or Technical Support with any concerns.

⚠ Caution

To reduce the risk associated with exposure to contaminants:

- Use filter for liquid service only. Not for continuous gas service.



Warning

To reduce the risk associated with exposure to contaminants:

- Always use appropriate personal protective equipment (PPE) when installing or operating the NanoSHIELD hollow fiber series capsule.

Installation

1. Verify that the filter you have selected is appropriate for the application.
2. Remove the filter from the box and carry into the gray area.
3. Remove the outer protective bag and discard.
4. Carry the filter (sealed in the inner bag) into the clean area.
5. Remove the inner protective bag and discard.
NOTE: NanoSHIELD™ hollow fiber series filters MAY REQUIRE pre-wetting when used with fluids that have a surface tension equal to or greater than 30 Dynes/cm.
6. Connect the filter capsule to the inlet and outlet lines, ensuring that the flow direction arrow on the capsule is in the correct orientation. Use appropriate fittings. DO NOT OVER TIGHTEN!
NOTE: Leave a gap of \geq (equal to or greater than 2mm) between the fitting and the SDC capsule body.
NOTE: The 3" and 5" MDC inlet and vent ports are interchangeable. In addition, the 3" and 5" MDC outlet and drain ports are also interchangeable. After connecting the inlet/outlet lines, install caps or valve assemblies to the remaining port. NanoSHIELD hollow fiber series SDC filter capsules do not have a vent/drain ports.
7. Verify that all connections are leak tight.
8. Orient the capsule filter so that the vent valve is at the highest point to allow for optimum venting of trapped air.
9. Start the fluid flow and fill the filter.
10. Loosen the vent valve and vent the upstream side of the filter.
11. After all trapped air has been removed re-tighten the vent valve.
12. The filter is now ready for use.

Warning

To reduce the risk associated with exposure to contaminants:

- Dispose of used filter cartridge in accordance with federal, state, and local laws and regulations.

Product Selection and Use: Many factors beyond 3M's control and uniquely within user's knowledge and control can affect the use and performance of a 3M product in a particular application. As a result, customer is solely responsible for evaluating the product and determining whether it is appropriate and suitable for customer's application, including conducting a workplace hazard assessment and reviewing all applicable regulations and standards (e.g., OSHA, ANSI, etc.). Failure to properly evaluate, select, and use a 3M product and appropriate safety products, or to meet all applicable safety regulations, may result in injury, sickness, death, and/or harm to property.

Warranty, Limited Remedy, and Disclaimer: Unless a different warranty is specifically stated on the applicable 3M product packaging or product literature (in which case such warranty governs), 3M warrants that each 3M product meets the applicable 3M product specification at the time 3M ships the product. 3M MAKES NO OTHER WARRANTIES OR CONDITIONS, EXPRESS OR IMPLIED, INCLUDING, BUT NOT LIMITED TO, ANY IMPLIED WARRANTY OR CONDITION OF MERCHANTABILITY, FITNESS FOR A PARTICULAR PURPOSE, OR ARISING OUT OF A COURSE OF DEALING, CUSTOM, OR USAGE OF TRADE. If a 3M product does not conform to this warranty, then the sole and exclusive remedy is, at 3M's option, replacement of the 3M product or refund of the purchase price.

Limitation of Liability: Except for the limited remedy stated above, and except to the extent prohibited by law, 3M will not be liable for any loss or damage arising from or related to the 3M product, whether direct, indirect, special, incidental, or consequential (including, but not limited to, lost profits or business opportunity), regardless of the legal or equitable theory asserted, including, but not limited to, warranty, contract, negligence, or strict liability.



**Science and Purification
Separation Division**
3M Purification Inc.
400 Research Parkway
Meriden, CT 06450, U.S.A.
Tel (800) 243-6894
(203) 237-5541
Fax (203) 238-8977
www.3Mpurification.com

3M and NanoSHIELD are trademarks of 3M Company.
© 2017 3M Company. All rights reserved.
Please recycle. Printed in U.S.A.
34-8720-8072-5