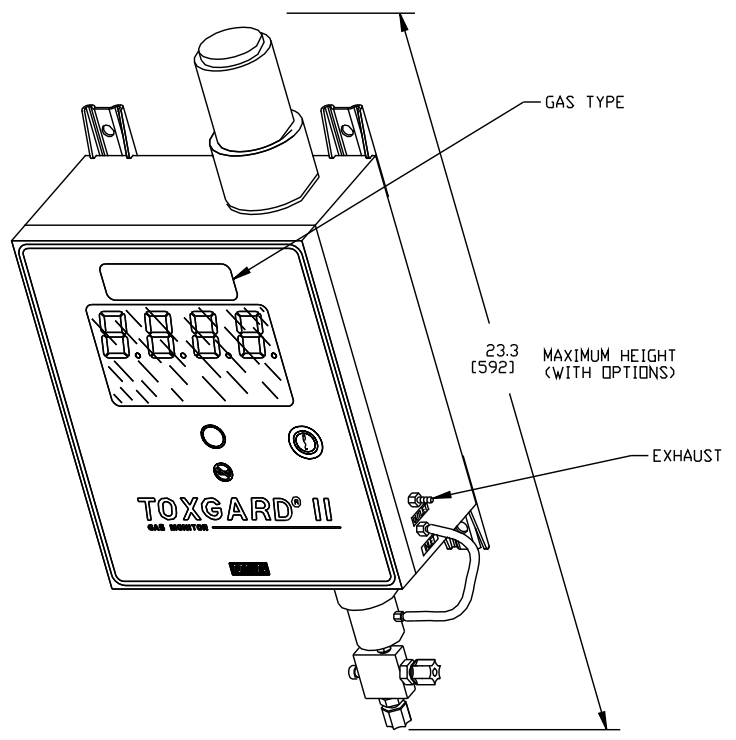


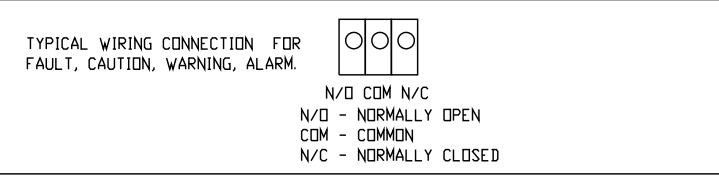
INSIDE OF TOXGARD II  
(SHOWN WITH DOOR AND MOUNTING LUGS REMOVED)



- NOTE:**
1. DIMENSIONS IN INCHES (MILLIMETERS).
  2. FOR MORE INFORMATION REFER TO MANUAL #711266 AND ADDENDUM #10085211
  3. ENCLOSURE 14 GAUGE STEEL, PAINTED STEEL DESIGNED FOR NEMA 4X.
  4. WEIGHT (NO OPTIONS) 13 LBS. (5.9KG).
  5. TOXGARD II MRI PART NUMBER IS 10076408.
  6. REFER TO INSTRUCTION MANUAL FOR DETAILS OF PROPER TERMINATION AND CONNECTION TO PROTECTIVE EARTH GROUND.

**RELAY SPECIFICATIONS**

ALL DRY CONTACT RELAYS RATED AT 5 AMPS (RESISTIVE) AT 250 VAC OR 30 VDC. FAULT, CAUTION, WARNING, AND ALARM RELAYS HAVE FORM 'C' CONTACTS. CAUTION, WARNING, ALARM RELAYS ARE ENERGIZED UPON AN ALARM CONDITION. N/O, N/C REFER TO NON-ALARM (DE-ENERGIZED) STATE OF CONTACT. FAULT RELAY IS ENERGIZED UNDER NORMAL OPERATING CONDITIONS. N/O, N/C REFER TO DE-ENERGIZED, POWER-OFF, OR FAULT CONDITION. HORN RELAY HAS FORM 'A' CONTACTS (NORMALLY OPEN AND COMMON).



**POWER CONNECTIONS**

AC-L = AC POWER LINE CONNECTION. DC+ = POSITIVE DC VOLTAGE TO MAIN PCB  
AC-N = AC POWER NEUTRAL CONNECTION. DC- = NEGATIVE DC VOLTAGE TO MAIN PCB  
AC-GND = TO ENCLOSURE GROUND STUD. BAT+, DC- = LEAD ACID BATTERY CONNECTIONS

AC INPUT VOLTAGE CAN BE 110 - 240VAC, 50/60HZ. NO SWITCH SELECTION IS NECESSARY.  
AC POWER FEEDS A 40WATT POWER SUPPLY THAT PRODUCES DC POWER FOR DEVICE OPERATION.  
A POWER CORD OF AT LEAST 16AWG IS RECOMMENDED.

**SIGNAL OUTPUT WIRING**

-----UNDER LINE POWER-----		
22AWG	9000 FEET	250 OHM MAX. LOAD
22AWG	2500 FEET	500 OHM MAX. LOAD
-----UNDER BATTERY POWER-----		
22AWG	2750 FEET	250 OHM MAX. LOAD
18AWG	7250 FEET	250 OHM MAX. LOAD

SEE MANUAL FOR ISOLATED OUTPUT DETAILS

**GENERAL WIRING**

ALL AC WIRING SHOULD BE LOCATED TO THE LEFT SIDE OF THE ENCLOSURE TO MINIMIZE THE INTRODUCTION OF NOISE TO THE INSTRUMENT. THIS INCLUDES INPUT POWER, RELAY CONNECTIONS.

ALL DC AND LOW POWER WIRING SHOULD BE KEPT AWAY FROM THE AC WIRING. THIS INCLUDES THE CURRENT OUTPUT SIGNAL WHICH SHOULD BE ROUTED OUT THE OPENING OF THE UNUSED SENSOR MOUNTING LOCATION ON EITHER THE RIGHT SIDE OR THE BOTTOM OF THE ENCLOSURE.

CUSTOMER \_\_\_\_\_  
P.O. # \_\_\_\_\_  
MSA # \_\_\_\_\_  
LOCATION \_\_\_\_\_  
TAG # \_\_\_\_\_  
TOTAL NO. OF UNITS \_\_\_\_\_

**COLOR CODE**

BLACK = K	GREEN = G
BROWN = N	BLUE = B
RED = R	VIOLET = V
ORANGE = D	GRAY = A
YELLOW = Y	WHITE = W
PINK = P	TAN = T

DOCUMENT CONTROLLED BY	FILE REF. NO. J001-007	*THIS DRAWING IS THE PROPERTY OF MINE SAFETY APPLIANCES COMPANY, PITTSBURGH, PENNSYLVANIA, AND IS MADE AVAILABLE TO YOU IN CONFIDENCE AND SUBJECT TO THE FOLLOWING NO PERMISSION IS GRANTED TO PUBLISH, USE, REPRODUCE, TRANSMIT OR DISCLOSE THIS DRAWING, OR ANY INFORMATION OR IDEA CONTAINED THEREIN TO OTHERS WITHOUT THE PRIOR WRITTEN CONSENT OF MINE SAFETY APPLIANCES COMPANY EXCEPT FOR THE MANUFACTURE OF ARTICLES FOR MINE SAFETY APPLIANCES COMPANY.*		DO NOT SCALE DWG.																						
INTERCHANGEABLE-PART	MINE SAFETY APPLIANCES COMPANY PITTSBURGH, PA.	MSA STANDARD SHOP PRACTICES APPLY	JOB NO. 30000016 PH0723	SCALE NTS																						
AUTHORIZED COUNTRY	<table border="1"> <tr> <td>AUER</td> <td>M. EAST</td> </tr> <tr> <td>AUSTRALIA</td> <td>MSA EUROPE</td> </tr> <tr> <td>BRAZIL</td> <td>NETHERLANDS</td> </tr> <tr> <td>CANADA</td> <td>PERU</td> </tr> <tr> <td>CHILE</td> <td>SE. ASIA</td> </tr> <tr> <td>CHINA</td> <td>SPAIN</td> </tr> <tr> <td>FRANCE</td> <td>SWEDEN</td> </tr> <tr> <td>INDIA</td> <td>MSA BRITAIN</td> </tr> <tr> <td>ITALY</td> <td></td> </tr> <tr> <td>JAPAN</td> <td></td> </tr> <tr> <td>MEXICO</td> <td></td> </tr> </table>	AUER	M. EAST	AUSTRALIA	MSA EUROPE	BRAZIL	NETHERLANDS	CANADA	PERU	CHILE	SE. ASIA	CHINA	SPAIN	FRANCE	SWEDEN	INDIA	MSA BRITAIN	ITALY		JAPAN		MEXICO		CODE SYMBOLS CRITICAL:  MAJOR: MINOR:  (HOLDING MARK) TOLERANCES UNLESS OTHERWISE SPECIFIED FRACTIONAL ±1/64" 2 PL. DEC. ±.01 3 PL. DEC. ±.005 ANGULAR ±1/2" SEE MSA STANDARD SHOP PRACTICES FOR DRILLED HOLE TOLERANCES.	DRAWN BY LRB DATE 10-19-2007 CHECKED BY J.FRUHWALD PROJECT ENGINEER 10-24-2007 J.FRUHWALD 10-24-2007 QUALITY ASSURANCE J.DANNHARDT 10-24-2007 MANUFACTURING H.TRACHSEL 10-24-2007	YES <input checked="" type="checkbox"/> NO <input type="checkbox"/> AGENCY CONTROLLED INSTALLATION OUTLINE, TOXGARD II, MRI <b>DSK3015-1022</b>
AUER	M. EAST																									
AUSTRALIA	MSA EUROPE																									
BRAZIL	NETHERLANDS																									
CANADA	PERU																									
CHILE	SE. ASIA																									
CHINA	SPAIN																									
FRANCE	SWEDEN																									
INDIA	MSA BRITAIN																									
ITALY																										
JAPAN																										
MEXICO																										

REVISIONS

NOV 19 2007
① 12-5-2013
AAC-GNB: REVISED NOTATION
ADDED NOTE 6
ECD#7000004206A
LRB KDH
DEC 18 2013