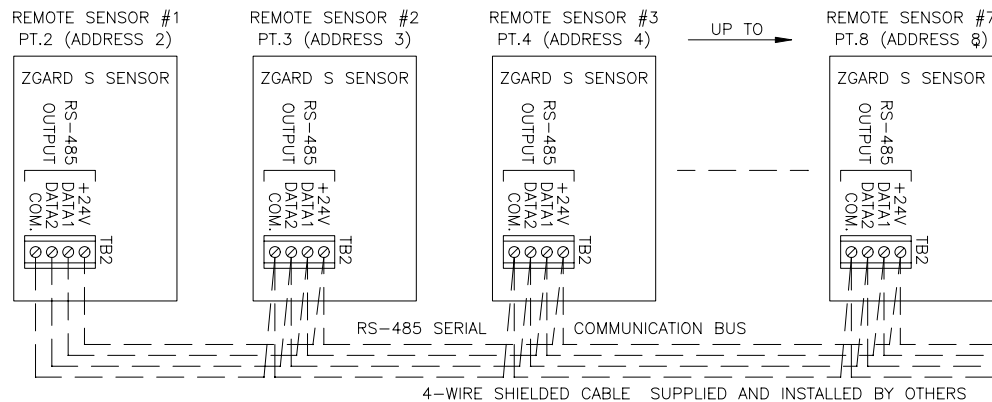


⇒ SEE NOTES BELOW FOR RS-485 ADDRESS ASSIGNMENT.



RS-485 ADDRESS ASSIGNMENT OF REMOTE SENSORS

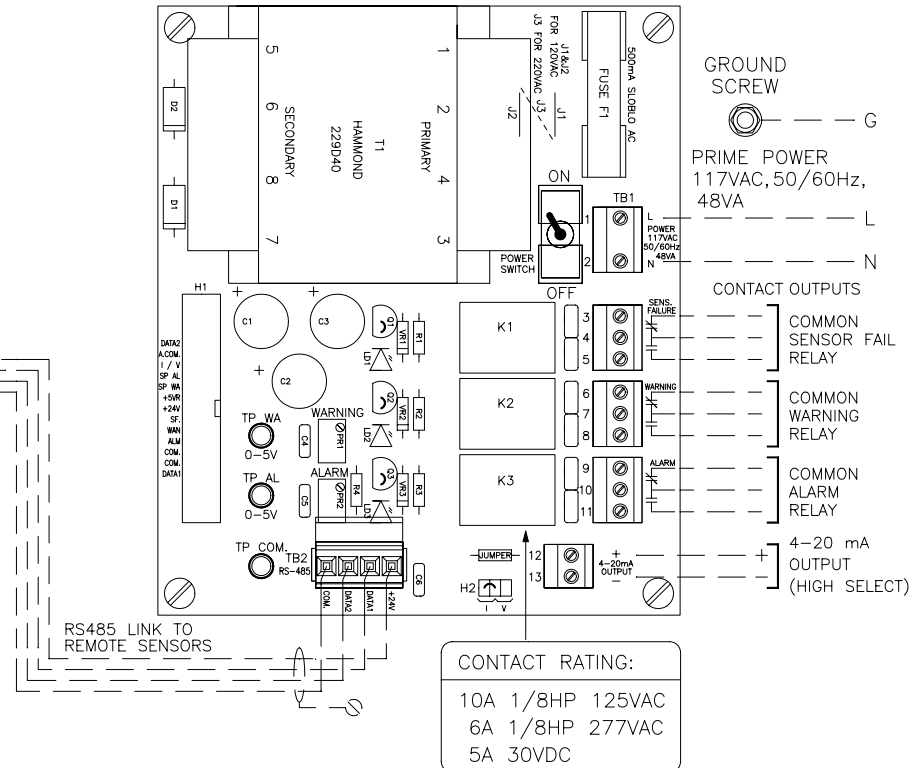
POINT NO.	SENSOR	RS-485 ADDRESS
1	INTEGRAL SENSOR	→ 1 (IN SOFTWARE)
2	REMOTE SENSOR #1	→ 2
3	REMOTE SENSOR #2	→ 3
4	REMOTE SENSOR #3	→ 4
5	REMOTE SENSOR #4	→ 5
6	REMOTE SENSOR #5	→ 6
7	REMOTE SENSOR #6	→ 7
8	REMOTE SENSOR #7	→ 8

**NOTE:**

MAKE SURE THAT EACH REMOTE SENSOR IS GIVEN A UNIQUE ADDRESS ON ITS ADDRESS JUMPERS OR THE ZGARD C0mbo WILL NOT BE ABLE TO COMMUNICATE TO IT.

ADDRESS 1 CAN NOT BE USED BY ANY OF THE REMOTE SENSORS, SINCE IT IS ASSIGNED FOR THE INTEGRAL SENSOR IN SOFTWARE.

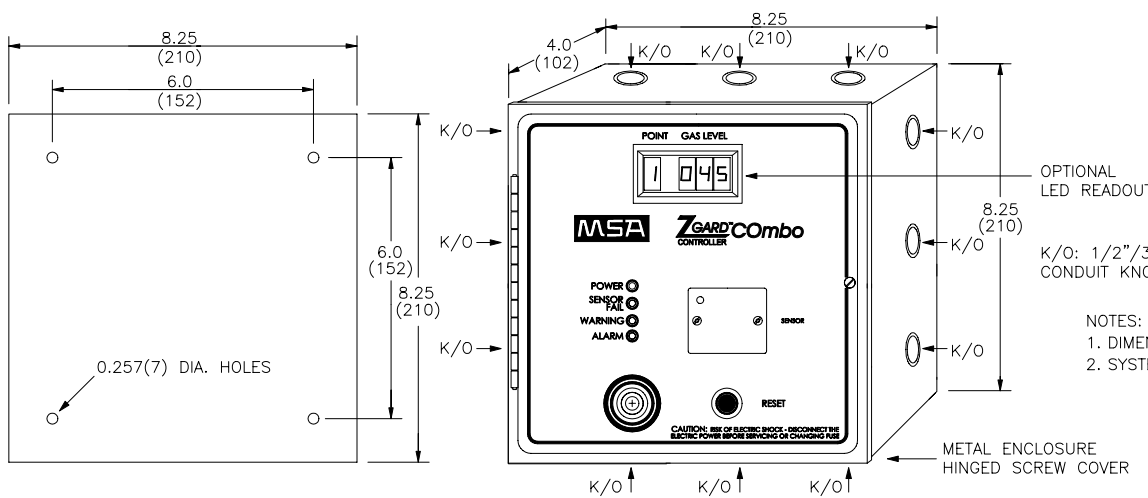
ZGARD C0mbo MAIN CIRCUIT BOARD



**CONTACT RATING:**  
 10A 1/8HP 125VAC  
 6A 1/8HP 277VAC  
 5A 30VDC

CABLE LENGTH VS. SIZE (AWG#)				
CABLE LENGTH FEET	No. OF SENSORS	4	6	7
1 TO 500	AWG #	22	22	22
501 TO 1,000	AWG #	22	20	20
1,001 TO 1,500	AWG #	20	18	18
1,501 TO 2000	AWG #	18	16	16

SUGGESTED CABLE	
GAUGE (AWG#)	4-WIRE SHIELDED CABLE
22	ALPHA WIRE 5504
20	ALPHA WIRE 5514
18	ALPHA WIRE 5524
16	ALPHA WIRE 5534



**NOTES:**  
 1. DIMENSIONS SHOWN IN INCHES (MILLIMETERS).  
 2. SYSTEM MAY CHANGE TO IMPROVE PERFORMANCE.

**MSA**

CHKD: \_\_\_\_\_ DATE: Jan. 28/05 DRN: KS

**ZGARD C0mbo Controller  
 (1-7 optional remote sensors)  
 Installation Outline**

DWG. NO.: 106966 REV. A