

V-Gard® H1 Safety Helmet
Fas-Trac® III Pivot Suspension



Order No.: 10207246/00
CR 800000035612

V-Gard and Fas-Trac are registered trademarks of MSA Technology, LLC in the US, EU, and other countries. Confidence Plus is a registered trademark of MSA Technology, LLC in the US.



The Safety Company

1000 Cranberry Woods Drive
Cranberry Township, PA 16066
USA

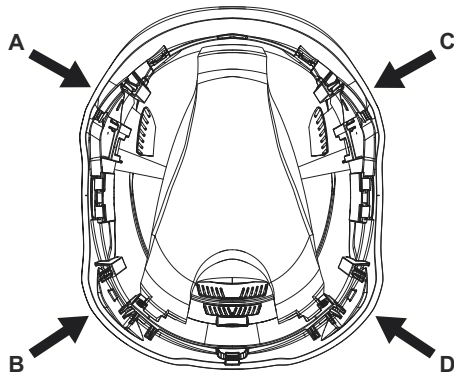
Phone 1-800-MSA-2222
Fax 1-800-967-0398

For your local MSA contacts please go to our website www.MSAsafety.com

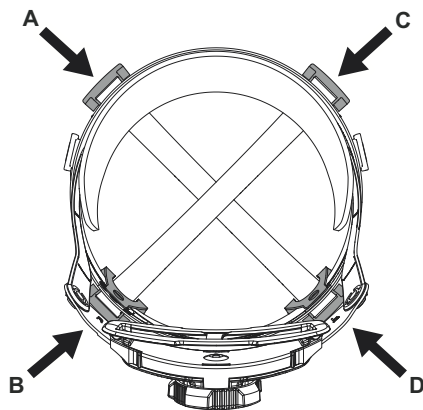
1 Replacing the Suspension

⚠ WARNING!

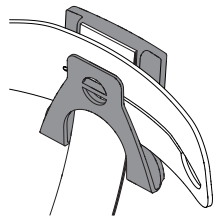
Examine the suspension before and after each use for loss of flexibility, cracks, breaks, frayed straps, or damaged stitching. If the suspension shows any signs of wear or damage, replace it immediately. Failure to obey this warning can result in serious injury or death.



- (1) Remove the chin strap and suspension from the helmet.
- (2) Put the helmet on its crown.



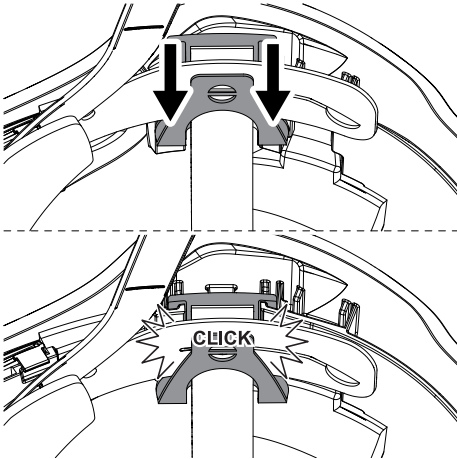
- (3) Align the suspension so the sweatband is at the front, next to the brim.
- (4) Fold the four clips (A, B, C, D) out and up.



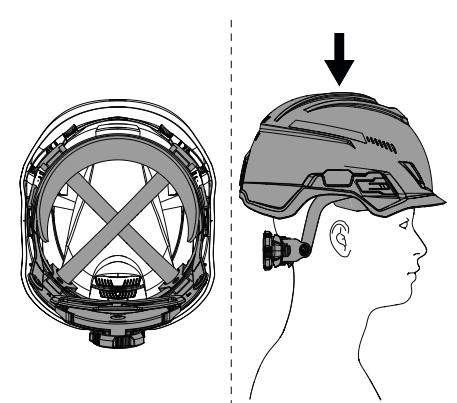
- (5) Put the strap between the clip and headband, and between the clip and helmet shell.

US

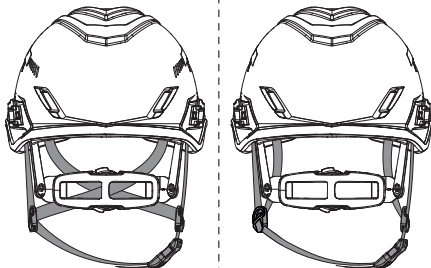
Replacing the Suspension



- (6) Push each of the four clips into its slot.
- (7) Listen for a click when the clips engage correctly.



- (8) Put the helmet on your head with the helmet brim at the front.
- (9) Push down on the top of the helmet until the headband and shell are at a comfortable height. Make sure to keep air space between your head and the crown of the helmet.



- (10) Install the chin strap according to your helmet model: Trivent (left) or Novent (right).



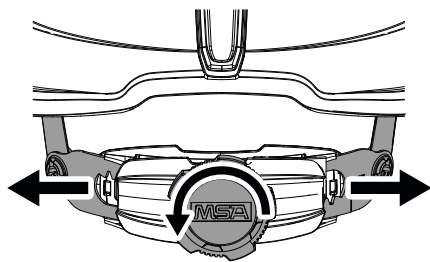
www.MSAafety.com/support/v-gardh1

US

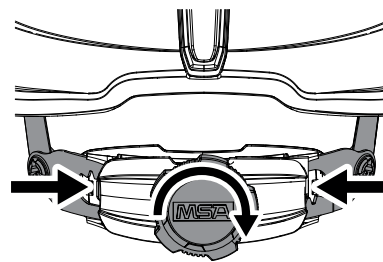
2 Adjusting the Suspension

WARNING!

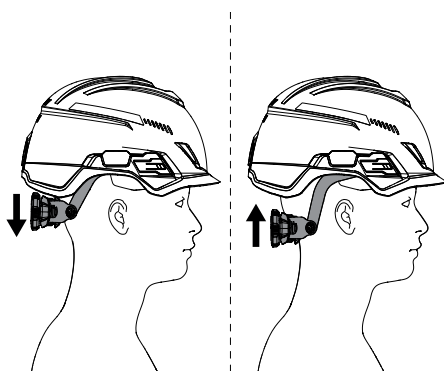
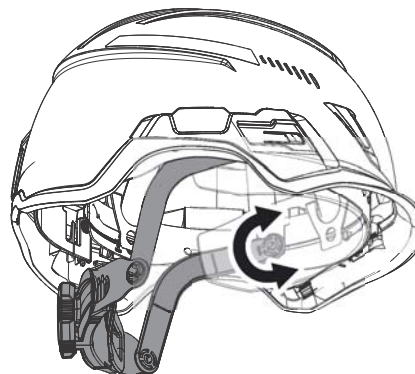
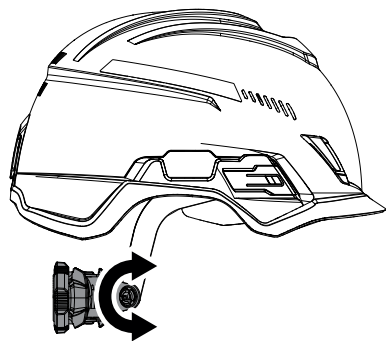
To supply maximum protection, the fit of the helmet must be tight and centered on the user's head. Do NOT keep gloves, cigarettes, earplugs, or other objects between the suspension and the shell. Objects in this space can transmit a large amount of force to the head and neck during impact and result in serious injury or death. Failure to obey these warnings can result in serious injury or death.



Counterclockwise opens assembly



Clockwise closes assembly



3 Maintenance



Use a solution of MSA's Confidence Plus® Cleaning Solution (P/N 10009971 or 10032737) or mild soap and warm water to clean the suspension. Do NOT use detergents. Let the suspension air-dry. MSA recommends that you replace the suspension after no more than 12 months of use.

4 Ordering Information

Part number	Description
10194760	Replacement Suspension Assy, Fas-Trac III Pivot, V-Gard H1 Safety Helmet
10194761	Replacement Sweatband, Fas-Trac III Pivot, Std

US

US

