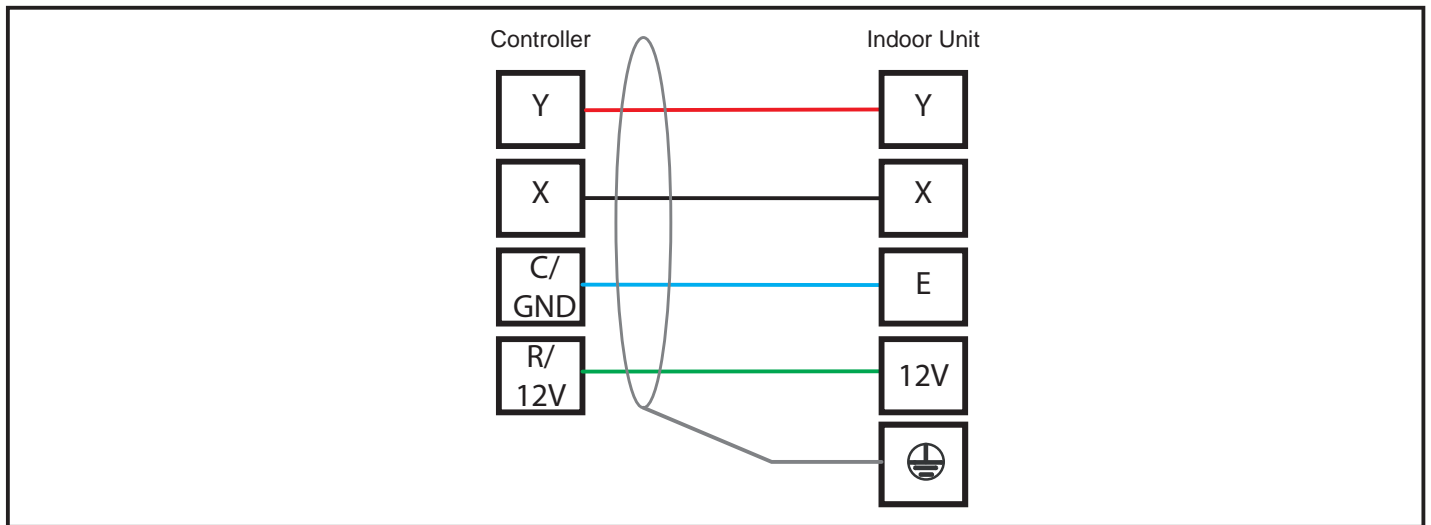


## SERVICE AND APPLICATION NOTES

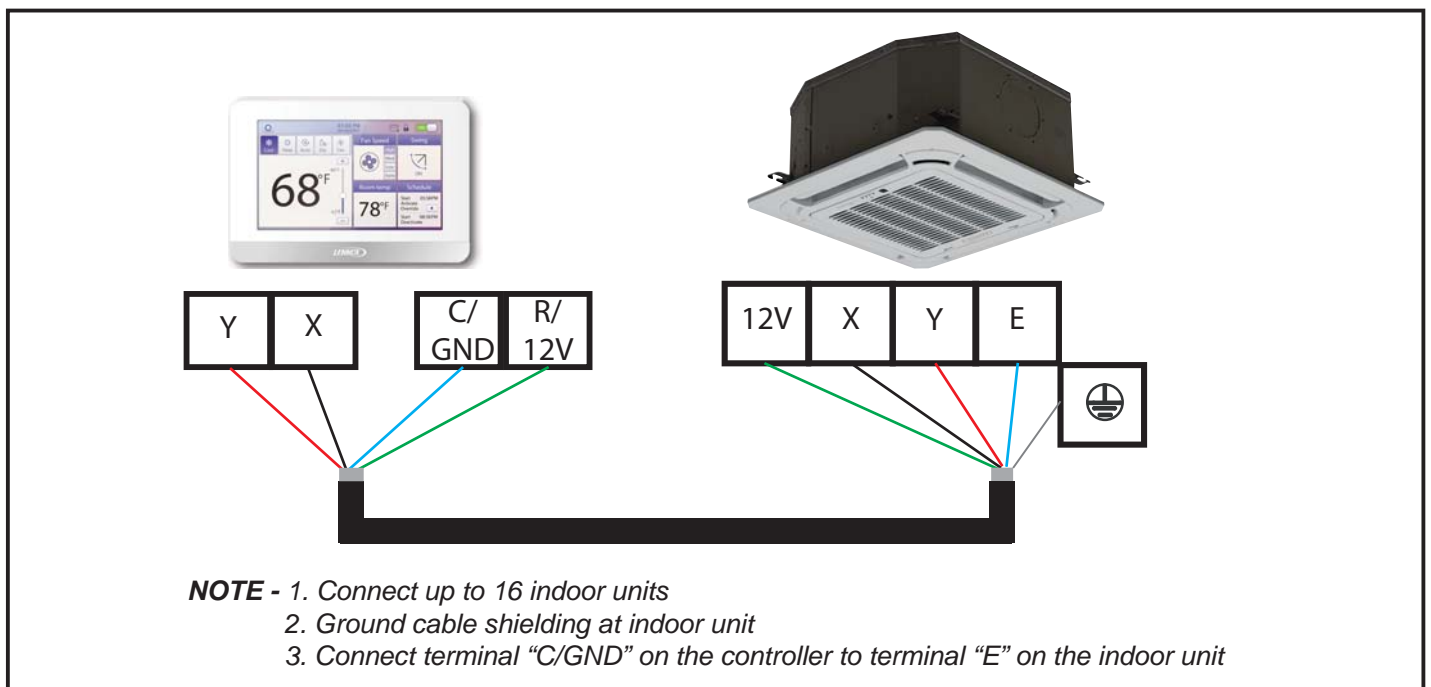
### V0STAT51P-2 Wired Controller Wiring Connections

**Issue:** V0STAT51P-2 wired local controller wiring connection from controller to indoor unit terminal “E” is not clear.

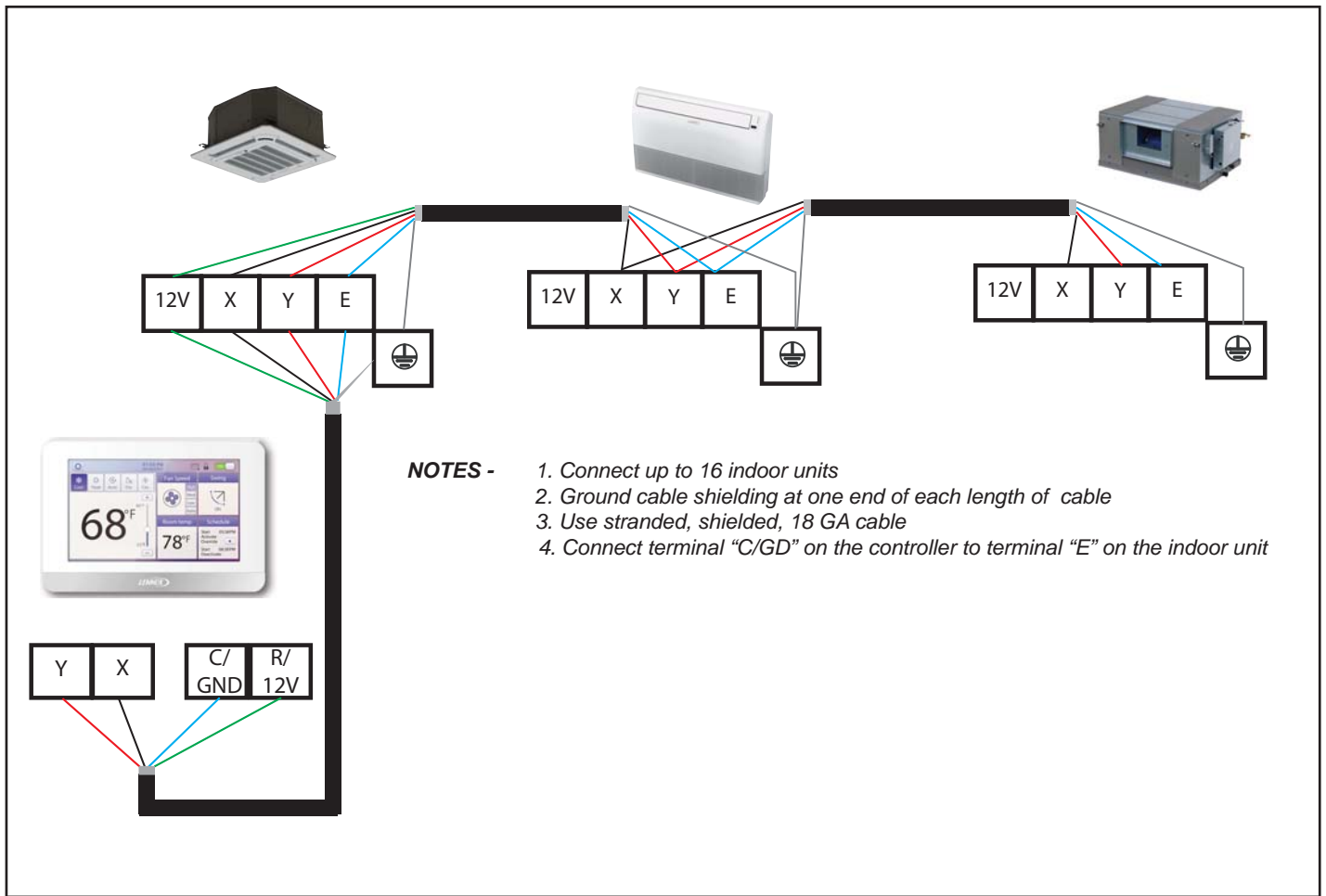
**Solution:** Connect the controller using the connection diagrams in this bulletin. Connect terminal “C/GND” on the controller to terminal “E” on the indoor unit.



**Figure 1. Controller to Indoor Unit Connections**



**Figure 2. Connect Controller to Single Indoor Unit Wiring Connections**



**Figure 3. Connect Controller to Multiple Indoor Units Wiring Connections**