



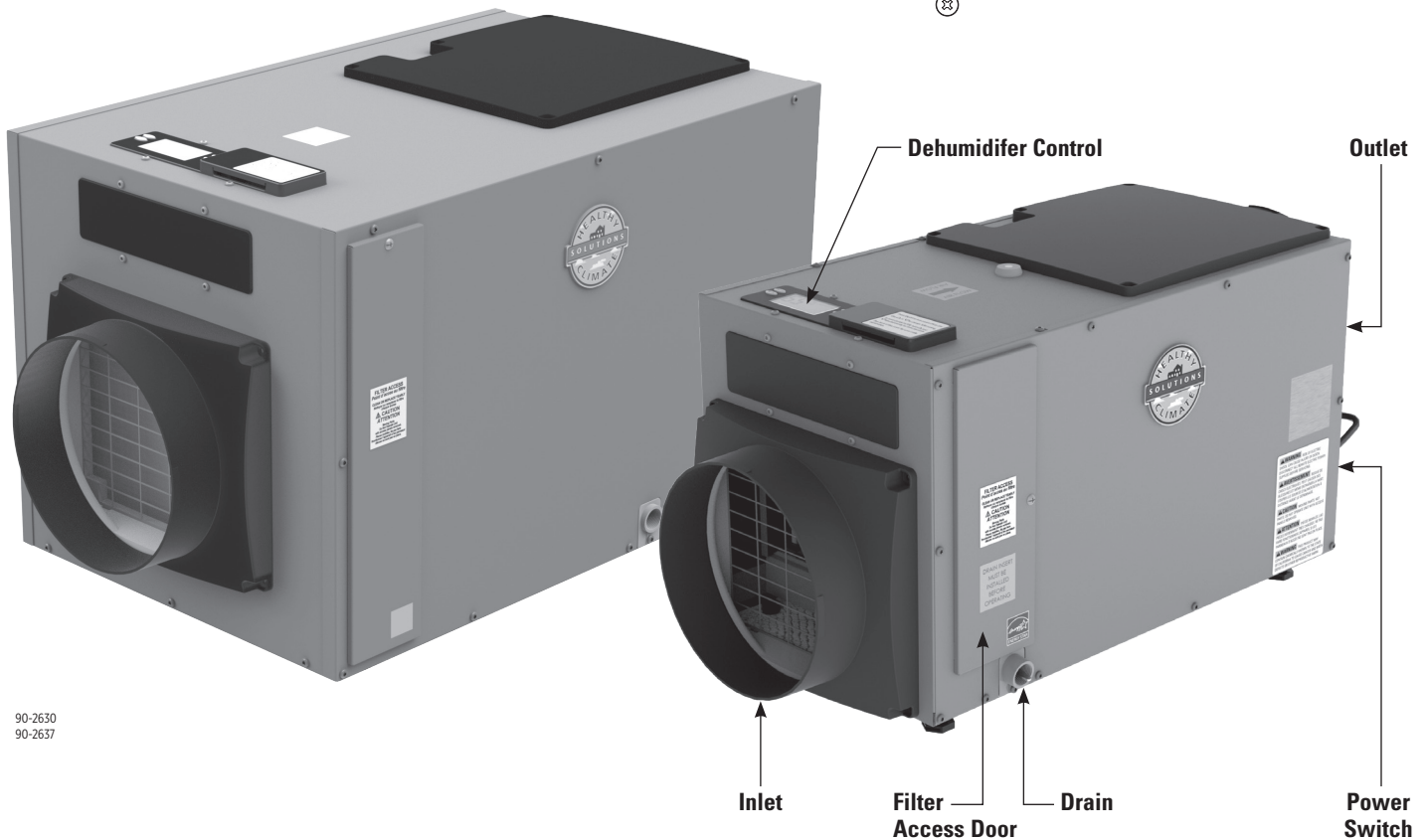
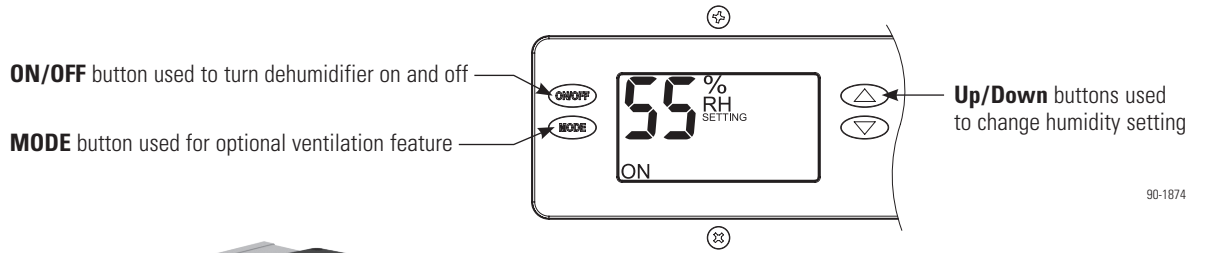
DEHUMIDIFIERS

508167-01
3/2021
Supersedes 507385-01

HEALTHY CLIMATE® DEHUMIDIFIERS

OWNER'S MANUAL FOR HEALTHY CLIMATE® DEHUMIDIFIER MODEL HCWHD4-080, HCWHD4-100 AND HCWHD4-130

THIS MANUAL MUST BE LEFT WITH THE HOMEOWNER FOR FUTURE REFERENCE

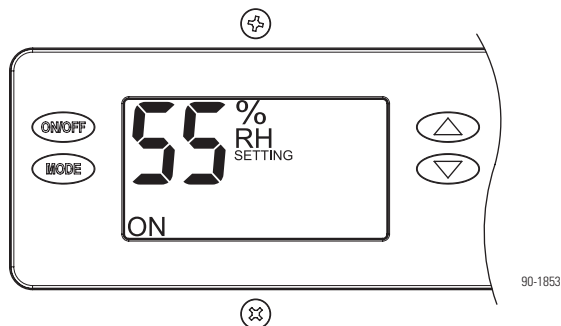


Whole Home Dehumidification

The Healthy Climate® Dehumidifier controls the humidity level in your entire home. A powerful blower inside the dehumidifier draws air into the cabinet, filters the air and removes moisture, then discharges the dry air into the HVAC system or dedicated area of the home. Inside the cabinet, a sealed refrigeration system removes moisture by moving the air through a series of tubes and fins that are kept colder than the dew point of the incoming air. The dew point is the temperature at which moisture in the air will condense, much like what occurs on the outside of a cold glass on a hot summer day. The condensed moisture drips into the dehumidifier drain pan to a drain tube routed to the nearest floor drain or condensate pump. After the moisture is removed, the air moves through a second coil where it is reheated before being sent back into the home. The air leaving the dehumidifier will be warmer and drier than the air entering the dehumidifier.

Setting the Desired Humidity Level

The dehumidifier on-board control will display the humidity setting when not running, and displays the measured humidity when running.



The UP and DOWN arrow buttons allow the humidity level to be set from 40% to 80% relative humidity. Use the ON/OFF button to turn the dehumidifier ON or OFF.

Set the control at 55%RH when first installed. Allow the dehumidifier to run until it reaches the setting before deciding if you want to change the setting.

- **If you prefer the air to be more dry**, decrease the humidity setting.
- **If you prefer the air to be less dry**, increase the humidity setting.

Your comfort is the best measure of how to adjust your setting. When first installed, your dehumidifier has to remove all the moisture that is initially in your home. The home acts like a sponge so the moisture in the materials of your home is at the same level as the air. After drying the air, the materials of the home will release moisture back into the air until they are again at the same level. As a result, it is common for the dehumidifier to operate for an extended period when first installed.

ENERGY SAVINGS TIPS

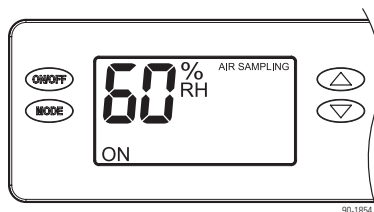
Energy Savings Tip #1: Adjust the humidity setting to be as high as is comfortable to reduce dehumidifier run time. If it feels clammy or “smells musty”, lower the humidity setting. To save energy, turn the dehumidifier to OFF when you open your windows, just as you would with air conditioning.

Energy Savings Tip #2: If vacating your home for an extended period in the summer, set the RH at 55% and set your thermostat as high as you are comfortable setting it to in the cooling mode. Consult with appropriate professionals regarding the highest temperature that is safe for your pets or possessions. This will keep the humidity at a controlled level while minimizing the amount of cooling energy used.

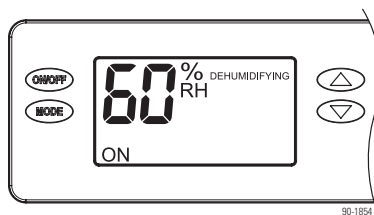
How Does the Dehumidifier Work?

Once per hour the dehumidifier will measure the humidity level of the air and compare it to the humidity setting. If the humidity in your home is higher than the setting, the dehumidifier will dehumidify the air until the humidity level drops below the setting.

When the dehumidifier turns on, the blower circulates the air for 3 minutes. The on-board control will display AIR SAMPLING, along with the measured humidity on the control screen. At the end of this 3 minutes, the measured humidity level of the air is compared to the humidity setting.



If the humidity of the air is higher than the setting, the compressor turns on and the control will display DEHUMIDIFYING, along with the measured humidity on the control screen.



OPTIONAL – HEATING AND COOLING SYSTEM BLOWER OPERATION

Your installing contractor may have configured the dehumidifier to turn on the heating and cooling system blower when the dehumidifier turns on to allow for improved circulation of the dry air.

External Control Options

Your dehumidifier can be controlled with an iComfort® Thermostat, a ComfortSense® Thermostat, or an optional external control that is conveniently located in the living space. The iComfort® or ComfortSense® Thermostat can be used to control your whole home dehumidifier by using the dehumidification features in the thermostat. The Y6456 is a dedicated dehumidifier control.

The Y6456 can also act as a remote control if the dehumidifier is located in a crawl space. Install the Y6456 in your living space and make changes to the dehumidifier setting or find out what the humidity level is in the crawl space from the comfort and convenience of the living space.

When an external control is installed, please refer to the owner's manuals for operating instructions.

If you are interested in having an external control installed, please consult your installing contractor.

How Does the Optional Ventilation Work?

If you had your contractor install the optional ventilation feature, they calculated how much fresh air was needed based on various factors (i.e. home size, number of occupants, local building codes, etc.). Knowing how much is needed and the rate at which fresh air will be brought into your home, the contractor set up the dehumidifier control to operate ventilation a certain amount of time per hour to provide the needed fresh air. When ventilation operates, a damper in a duct that brings air in from the outside opens, and your heating and cooling system blower will run to distribute the fresh air.

If you need to change the amount of time to operate ventilation, press the MODE button twice to display the ventilation time setting. Use the UP or DOWN button to adjust the number of minutes per hour (0–60, set to zero to turn it off) that ventilation is to run. The control will return to the dehumidifier setting display automatically.



iComfort® S30 Ultra
Smart Thermostat



iComfort® E30
Smart Thermostat



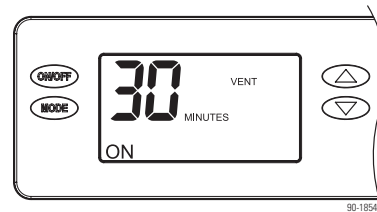
iComfort® M30
Smart Thermostat



ComfortSense®
7500 Touchscreen
Thermostat



Y6456 Control

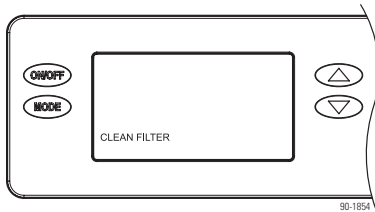


90-1854

Maintenance – Model HCWHD4-080 and HCWHD4-100

CLEAN OR REPLACE THE AIR FILTER

After initial installation the air filter should be checked and cleaned every 6 months. The CLEAN FILTER service reminder will display on the on-board control screen every 6 months. To clear the service message, press the UP and DOWN arrows simultaneously for 3 seconds.



Filter Cleaning Procedure

1. Turn the ON/OFF switch OFF.
2. Remove the filter access door from either side of the dehumidifier.
3. Slide the filter out of the dehumidifier.
4. Flush the filter with warm water and a mild detergent solution.
5. Shake off the excess water from the filter.
6. Replace the filter, making sure the filter is secured in both the top and bottom filter rails.
7. Replace the filter access door.
8. Turn the ON/OFF switch ON.
9. Press the UP and DOWN buttons simultaneously for 3 seconds to clear the service message.

DRAIN AND DRAIN INSERT INSPECTION

The drain and drain insert should be checked annually to ensure there are no blockages or air lock in the drain system.

IMPORTANT

The drain insert is a critical feature of the dehumidifier drain management system. This component is required for the dehumidifier to run properly. If the drain insert is not installed, you will not be able to reinstall the air filter. The air filter is equipped with a safety mechanism that prevents you from fully inserting the filter without the drain insert installed.

⚠ WARNING

Running the dehumidifier without the drain insert can lead to condensate leaks.

REMOVING THE DRAIN INSERT

1. Turn the ON/OFF switch OFF.
2. Remove the filter access door from the drain side of the dehumidifier.
3. Remove the filter from the dehumidifier to access the drain insert.
4. Locate the drain insert which is located over the drain opening.
5. Remove the drain insert by hooking your finger into the finger loop and gently lifting the cover up and out of the drain pan.
6. Clean the drain insert with warm water and mild detergent solution.

REINSTALLING THE DRAIN INSERT

1. Reinstall the drain insert by inserting your forefinger into the finger loop and grasping the outer edge of the finger loop your thumb.
2. Gently insert the drain insert tip into the drain opening and tilting the cover downwards into place.
3. Insure the drain insert is seated properly by checking the top surface of the drain cover is the same surface height as the filter guide channel.
4. Turn the ON/OFF switch ON.
5. At the UI control, select the ON/OFF button and switch to ON mode.

⚠ CAUTION

Do not use spray solvents or cleaners on or near the inlet side of the dehumidifier. If desired, apply cleaner to a cloth and use to clean the cabinet.

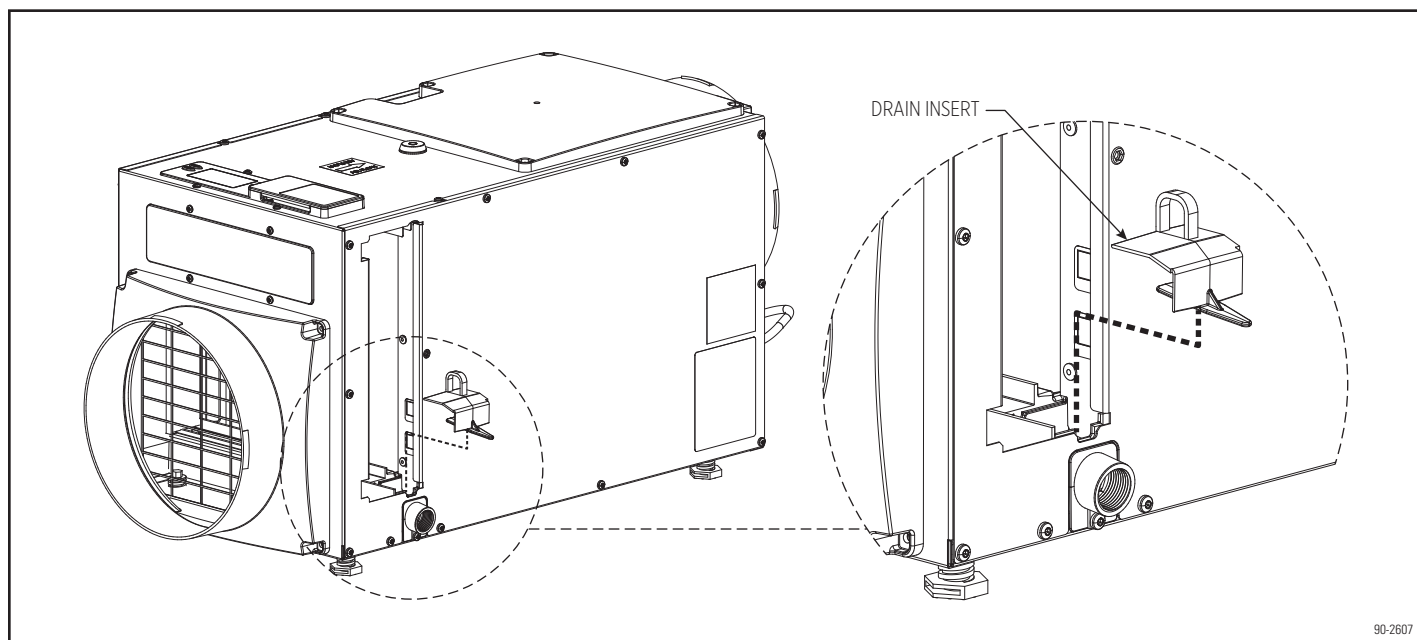
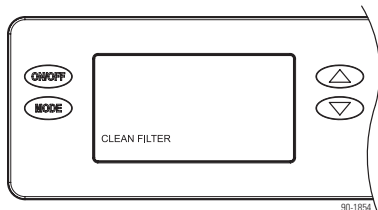


Figure 1. Drain Insert

Maintenance – Model HCWHD4-130

CLEAN OR REPLACE THE AIR FILTER

After initial installation the air filter should be checked and cleaned every 6 months. The CLEAN FILTER service reminder will display on the on-board control screen every 6 months. To clear the service message, press the UP and DOWN arrows simultaneously for 3 seconds.



Filter Cleaning Procedure

1. Turn the ON/OFF switch OFF.
2. Remove the filter access door from either side of the dehumidifier.
3. Slide the filter out of the dehumidifier.
4. Flush the filter with warm water and a mild detergent solution.
5. Shake off the excess water from the filter.
6. Replace the filter, making sure the filter is secured in both the top and bottom filter rails.
7. Replace the filter access door.
8. Turn the ON/OFF switch ON.
9. Press the UP and DOWN buttons simultaneously for 3 seconds to clear the service message.

CHECK THE DRAIN

The drain should be checked annually to ensure there are no blockages or air lock in the drain system. If the unit is not draining properly, have it checked by a qualified service professional.

CAUTION

Do not use spray solvents or cleaners on or near the inlet side of the dehumidifier. If desired, apply cleaner to a cloth and use to clean the cabinet.