

**INSTALLATION INSTRUCTIONS FOR FS1 (4 HEAT/4 COOL) KIT (86M72)  
 USED WITH THE L CONNECTION® NETWORK**

**Shipping and Packing List**

**Package 1 of 1 contains:**

- 1- Four stage interface (FS1) 4H/4C board (A138)
- 1- J202/201 harness
- 3- Wiring diagrams
- 1- Bag assembly containing:
  - 4- 6-32 X 7/8" TFS hex head screws

**Application**

The 4H/4C kit provides the additional 24VAC demand inputs to the IMC for applications that use third-party thermostat or DDCs that have up to 4 heat and/or 4 cool outputs. This kit does not apply to heat pump units.

**Installation**

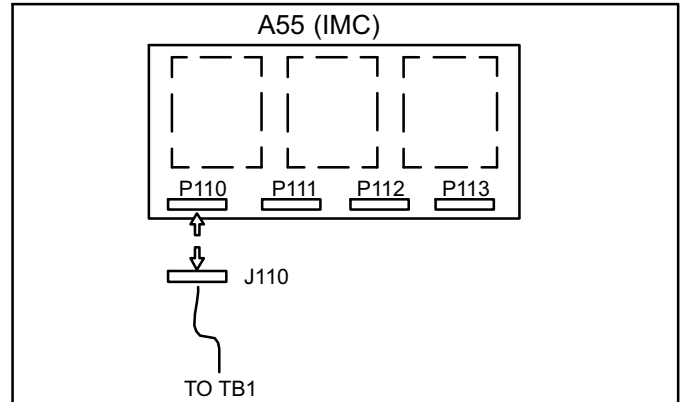
**⚠ WARNING**

**Improper installation, adjustment, alteration, service or maintenance can cause property damage, personal injury or loss of life. Installation and service must be performed by a qualified installer or service agency.**

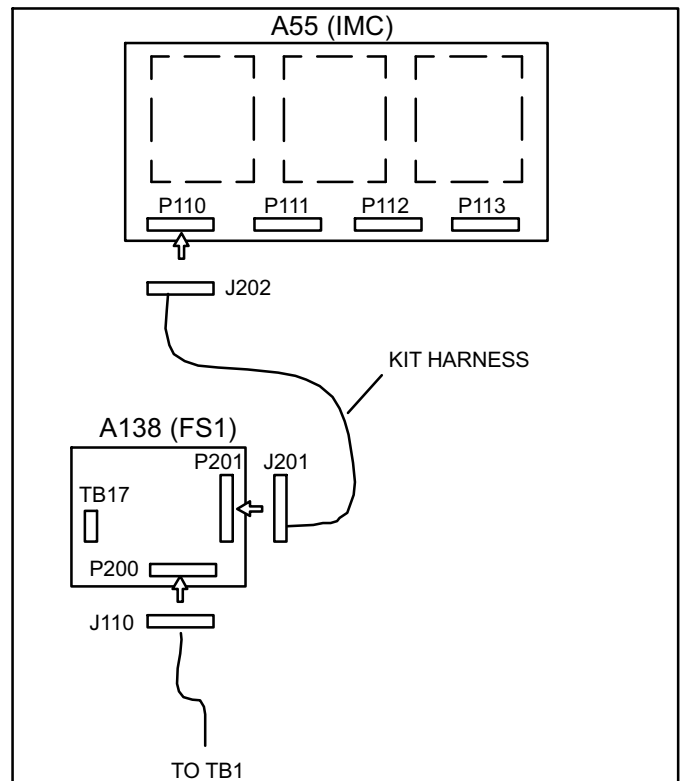
1. Disconnect all power to unit and open control panel.
2. Carefully remove FS1 board from protective packaging. Install the board near the A55 IMC main control board using provided screws. Refer to the IMC manual provided with the unit for the location of the IMC.
3. Disconnect J110 jack from IMC board. See figure 1. Wires leading to connectors are stamped with labels that identify the plug.
4. Connect J110 to P200 on the FS1 board. See figure 2.
5. Connect the kit harness between P201 on the FS1 board and P110 on the IMC board. See figure 2.
6. Locate the wiring diagram which lists the appropriate number of heating and cooling stages for the thermostat to be used. Make thermostat wiring connections to TB17 on the FS1 board as shown on the diagram. Affix the diagram on top of the existing control section diagram on the unit panel.

*NOTE - Be sure to install the jumper wires where indicated on TB17.*

7. Restore power to unit and refer to IMC manual for start-up.
8. Set ECTO 6.01 to option 12. Refer to the IMC manual.



**Figure 1. Disconnect J110**



**Figure 2. Connect J202/201 Harness**

