



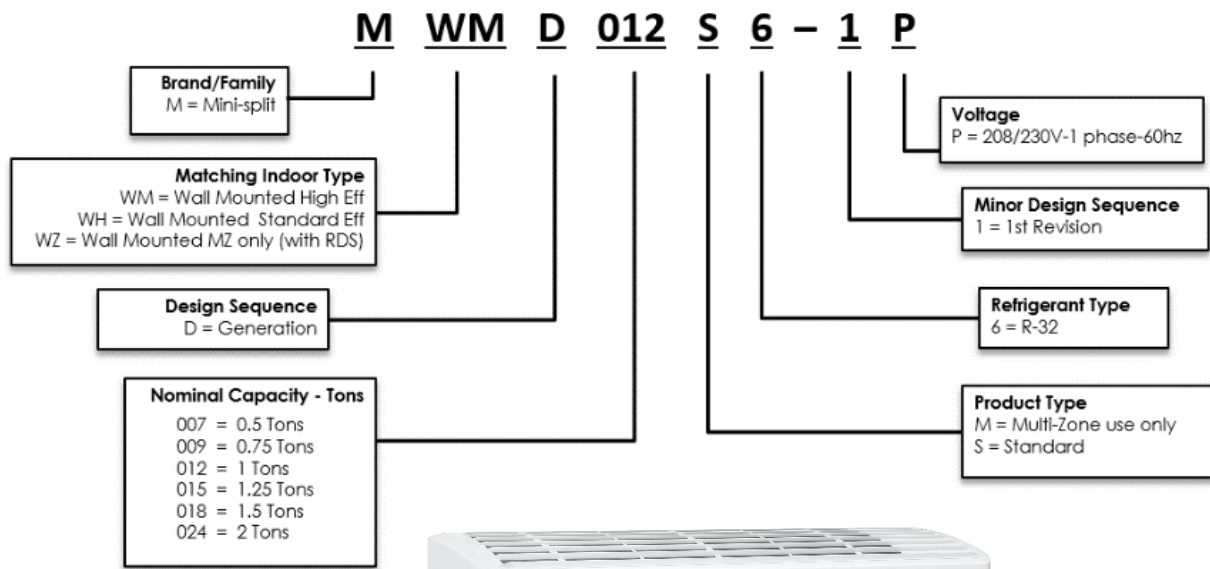
LENNOX Powered by
SAMSUNG

Mini-Split Portfolio Guide

Table of Contents

- Wall Mount Air Handlers 1
- Single Zone Wall Mount Only Heat Pumps..... 2
- Single Zone Mixed AHU Heat Pumps 3
- Multi-Zone Heat Pumps..... 4
- Lennox Powered by Samsung Matchups..... 5
- Refrigerant Detection System 11
- Controls..... 12
- Accessories 13
- Serial Number Registration..... 14
- Smart Features 15

Wall Mounted IDU			Compatible ODU			
Model	CAT #	RDS Factory Installed	MWLD	MWPD	MWHD	Multi-Zone
MWMD007M6-1P	27K09					X
MWMD015M6-1P	27K08					X
MWMD009S6-1P	27K11		X	X		X
MWMD012S6-1P	27K17		X	X		X
MWMD015S6-1P	27K75		X	X		
MWMD018S6-1P	27K18		X	X		X
MWMD024S6-1P	27K20		X	X		X
MWHD007M6-1P	27K89					X
MWHD009S6-1P	27K91				X	X
MWHD012S6-1P	27K92				X	X
MWHD015S6-1P	27K90				X	X
MWHD018S6-1P	27K93				X	X
MWHD024S6-1P	27K94				X	X
MWZD007M6-1P	28U96	X				X
MWZD009M6-1P	28U98	X				X
MWZD012M6-1P	28U99	X				X
MWZD015M6-1P	28U97	X				X
MWZD018M6-1P	28V01	X				X
MWZD024M6-1P	28V02	X				X

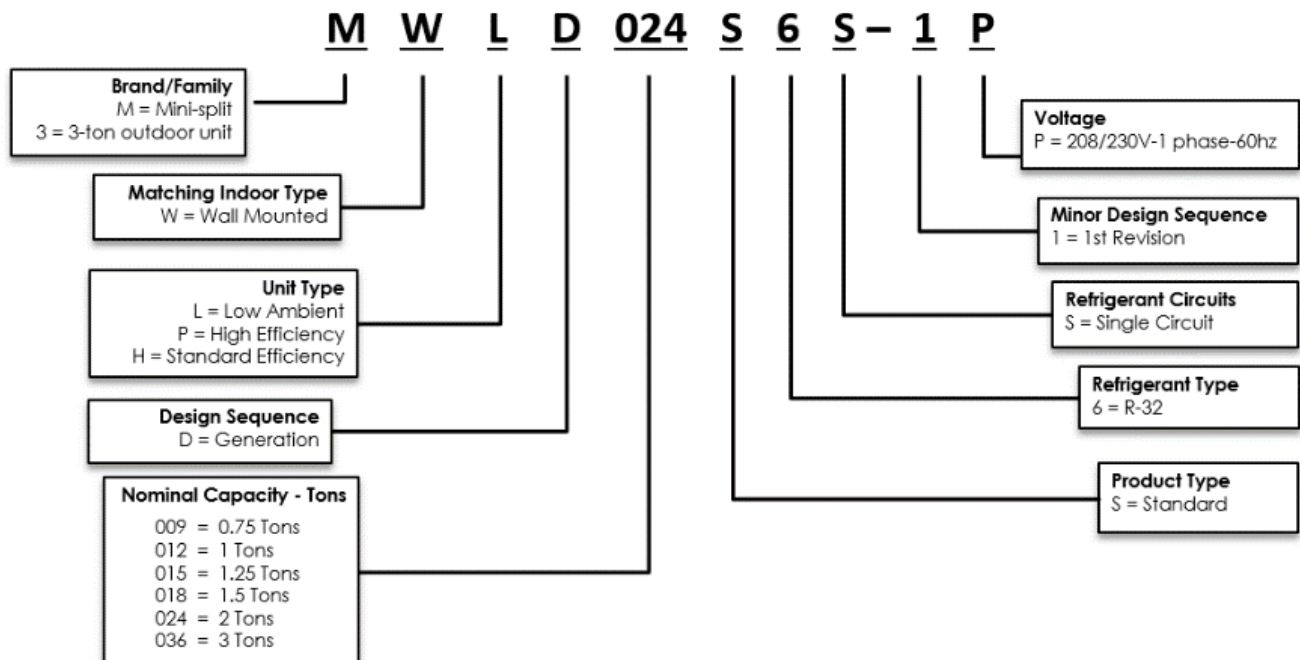


MWLD Low Ambient High-Efficiency	
CAT#	Model
27J88	MWLD009S6S-1P
27J89	MWLD012S6S-1P
27K82	MWLD015S6S-1P
27J90	MWLD018S6S-1P
27J91	MWLD024S6S-1P

MWPD High-Efficiency	
CAT#	Model
27J67	MWPD009S6S-1P
27J68	MWPD012S6S-1P
27J65	MWPD015S6S-1P
27J71	MWPD018S6S-1P
27J72	MWPD024S6S-1P

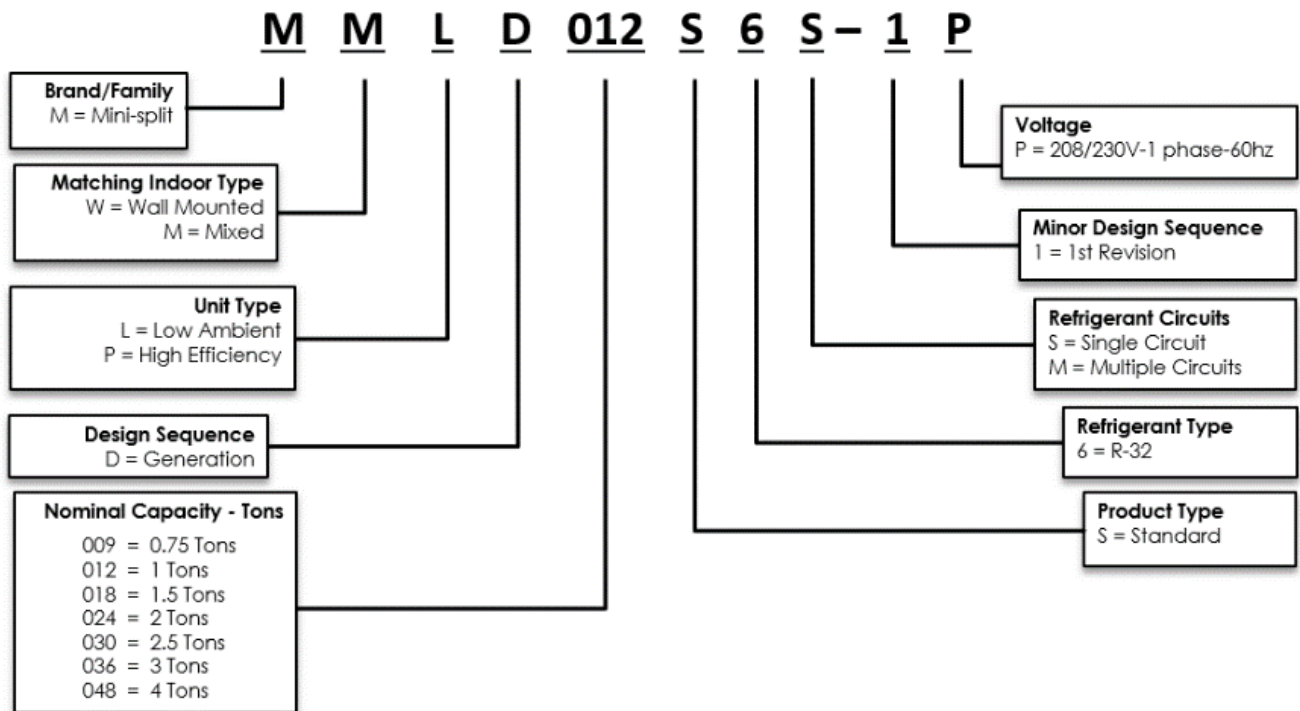
MWHD Standard-Efficiency	
CAT#	Model
27K84	MWHD009S6S-1P
27K85	MWHD012S6S-1P
27K83	MWHD015S6S-1P
27K86	MWHD018S6S-1P
27K87	MWHD024S6S-1P

3WPD 3-Ton Wall Mount System	
CAT#	Model
27K88	3WPD036S6S-1P



MMLD Low Ambient High-Efficiency	
CAT#	Model
27K71	MMLD009S6S-1P
27K72	MMLD012S6S-1P
27K73	MMLD018S6S-1P
27K74	MMLD024S6S-1P
27K24	MMLD030S6S-1P
27J92	MMLD036S6S-1P
27J93	MMLD048S6S-1P

MMPD High-Efficiency	
CAT#	Model
27J74	MMPD018S6S-1P
27J76	MMPD024S6S-1P
27J77	MMPD030S6S-1P
27J80	MMPD036S6S-1P
27J94	MMPD048S6S-1P

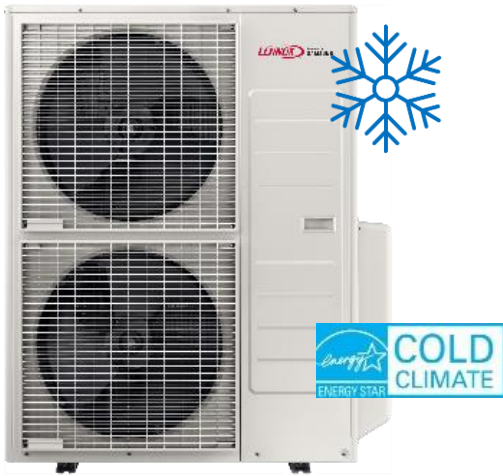


MMLD Low Ambient High-Efficiency

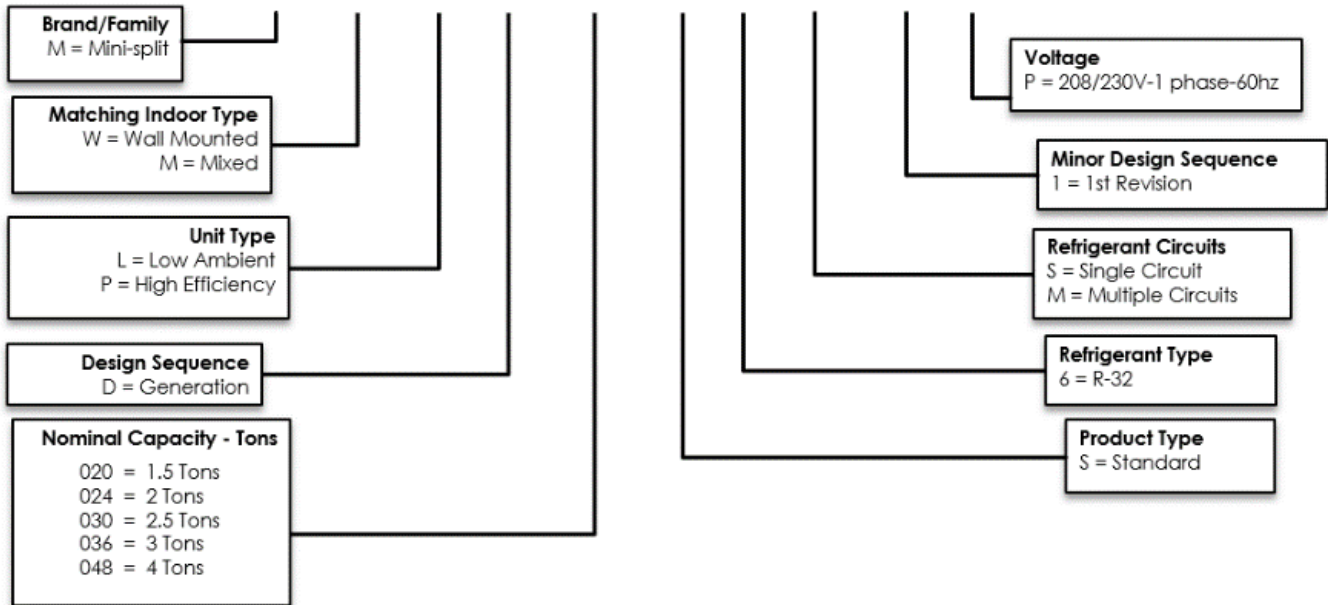
CAT#	Model	Max # of Zones
27J95	MMLD020S6M-1P	3
27J96	MMLD024S6M-1P	4
27J97	MMLD030S6M-1P	4
27J98	MMLD036S6M-1P	4

MMPD High-Efficiency

CAT#	Model	Max # of Zones
27J83	MMPD020S6M-1P	2
27J84	MMPD024S6M-1P	3
27J86	MMPD036S6M-1P	4
27J87	MMPD048S6M-1P	5



M M P D 024 S 6 M - 1 P

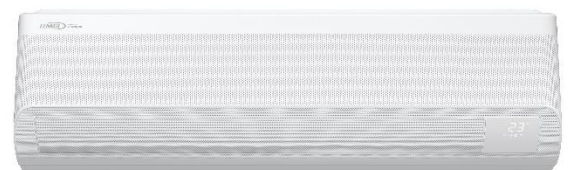


Single-Zone Heat Pumps		Compatible Wall-Mount	
Model	CAT #	Model	CAT #
Low Ambient			
MWLD009S6S-1P	27J88	MWMD009S6-1P	27K11
MWLD012S6S-1P	27J89	MWMD012S6-1P	27K17
MWLD015S6S-1P	27K82	MWMD015S6-1P	27K75
MWLD018S6S-1P	27J90	MWMD018S6-1P	27K18
MWLD024S6S-1P	27J91	MWMD024S6-1P	27K20

High Efficiency			
MWPD009S6S-1P	27J67	MWMD009S6-1P	27K11
MWPD012S6S-1P	27J68	MWMD012S6-1P	27K17
MWPD015S6S-1P	27J65	MWMD015S6-1P	27K75
MWPD018S6S-1P	27J71	MWMD018S6-1P	27K18
MWPD024S6S-1P	27J72	MWMD024S6-1P	27K20
3WPD036S6S-1P	27K88	3WMD036S6-1P	27K95



Standard Efficiency			
MWHD009S6S-1P	27K84	MWHD009S6-1P	27K91
MWHD012S6S-1P	27K85	MWHD012S6-1P	27K92
MWHD015S6S-1P	27K83	MWHD015S6-1P	27K90
MWHD018S6S-1P	27K86	MWHD018S6-1P	27K93
MWHD024S6S-1P	27K87	MWHD024S6-1P	27K94

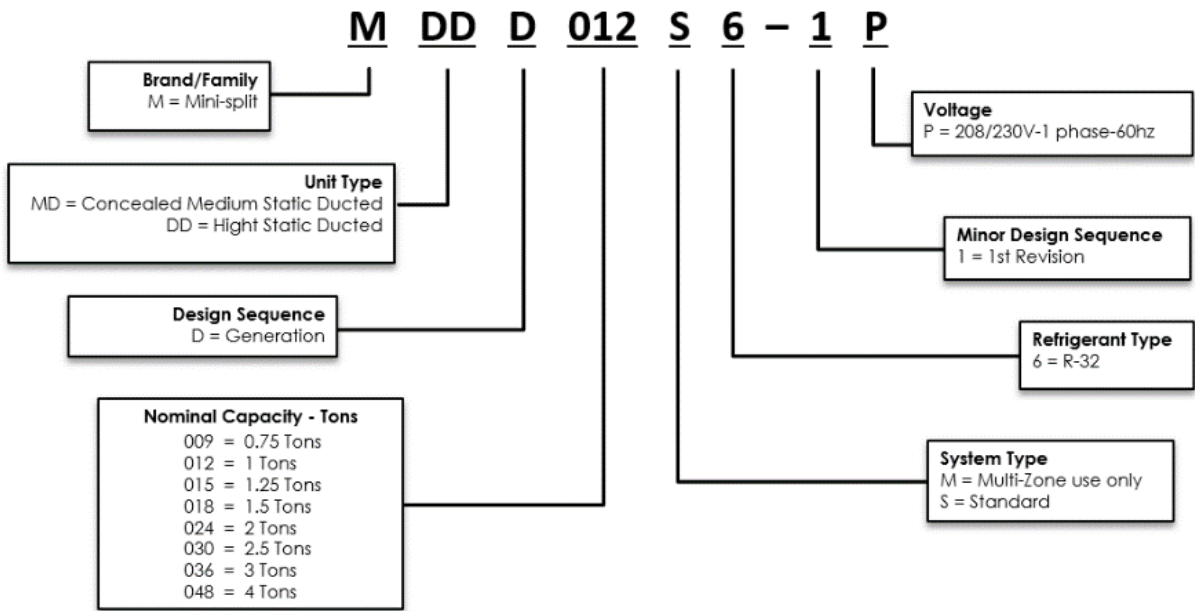


Model		Heat Pumps						
High Static Ducted		MWLD	MWPD	MWHD	MMLD SZ	MMPD SZ	MMLDM Z	MMPD MZ
MDDD009S6-1P	27K37				X			
MDDD012S6-1P	27K38				X			
MDDD018S6-1P	27K41				X	X		
MDDD024S6-1P	27K45				X	X		
MDDD030S6-1P	27K46				X	X		
MDDD036S6-1P	27K48				X	X		
MDDD048S6-1P	27K49				X	X		
MDDD009M6-1P	27K27						X	X
MDDD012M6-1P	27K96						X	X
MDDD015M6-1P	27K97						X	X
MDDD018M6-1P	27K98						X	X



Static Range MDDD => up to 0.6" static

RDS is not Factory installed - **M1HRDS01 (38C52)**

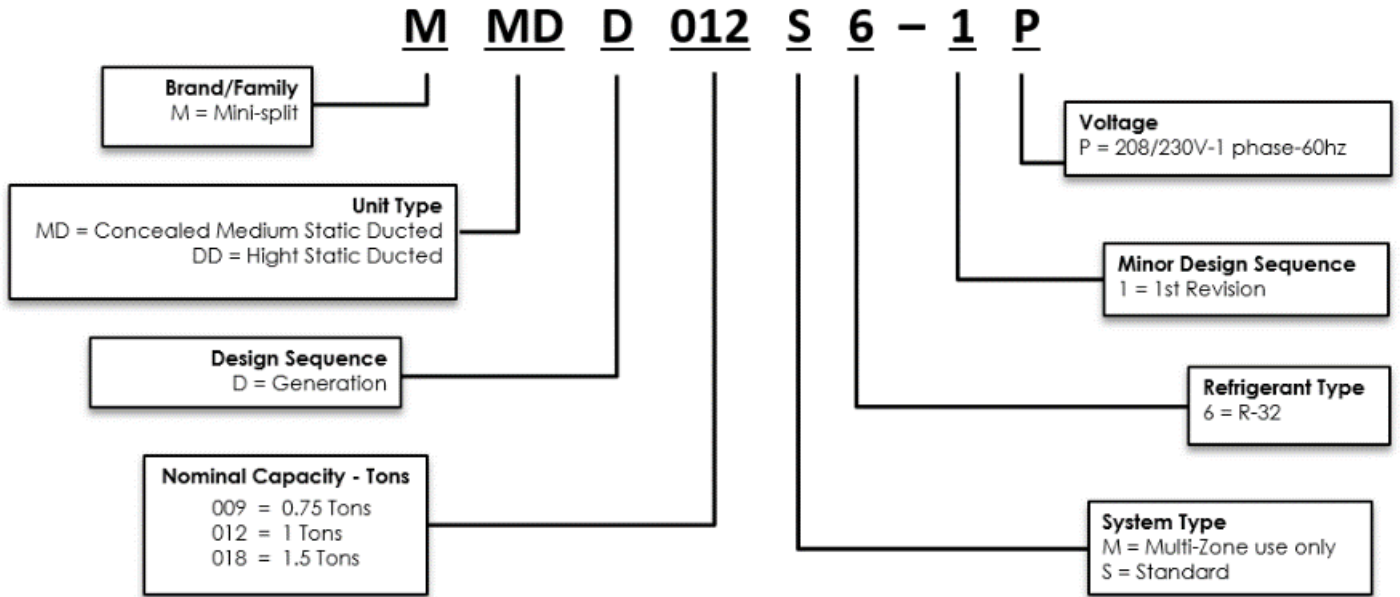


Model		Heat Pumps						
Medium Static Ducted		MWLD	MWPD	MWHD	MMLD SZ	MMPD SZ	MMLD MZ	MMPD MZ
MMDD009S6-1P	27K42				X		X	X
MMDD012S6-1P	27K43				X		X	X
MMDD018S6-1P	27K44				X		X	X



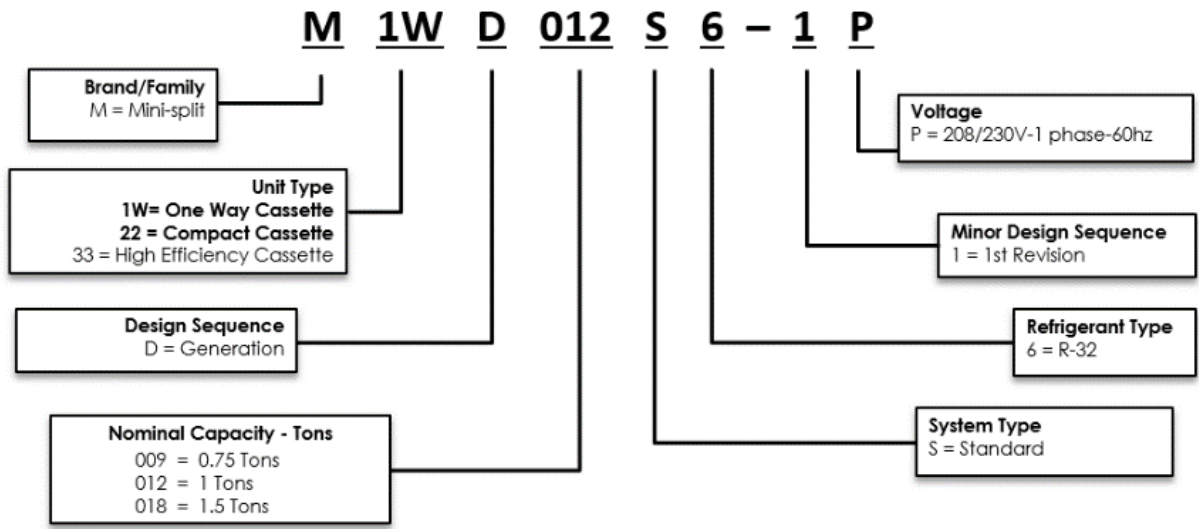
Static Range MMDD => up to 0.24" static

RDS is not Factory installed - **M1LRDS01 (38C53)**



Model		Heat Pumps						
One-way Cassettes		MWLD	MWPD	MWHD	MMLD SZ	MMPD SZ	MMLDM Z	MMPD MZ
M1WD009S6-1P	27K31				X		X	X
M1WD012S6-1P	27K32				X		X	X
M1WD018S6-1P	27K34				X		X	X

Model		Heat Pumps						
4-way Cassettes (2X2)		MWLD	MWPD	MWHD	MMLD SZ	MMPD SZ	MMLD MZ	MMPD MZ
M22D009S6-1P	27J99				X		X	X
M22D012S6-1P	27K01				X		X	X
M22D018S6-1P	27K02				X		X	X

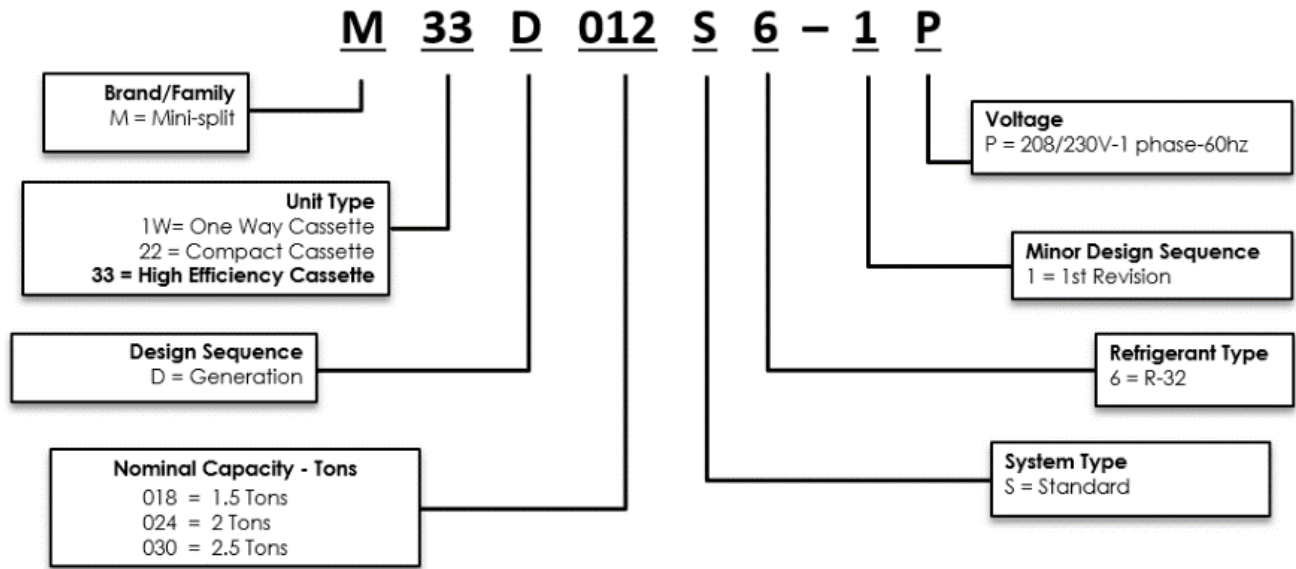


Panels for one-way:
37P70 (9k and 12k)
37P71 (18k)



Panels for 4-way (2x2):
37P65

Model		Heat Pumps						
4-way Cassettes (3X3)		MWLD	MWPD	MWHD	MMLD SZ	MMPD SZ	MMLD MZ	MMPD MZ
M33D018S6-1P	27K04				X	X		
M33D024S6-1P	27K05				X	X		
M33D030S6-1P	27K06				X	X		

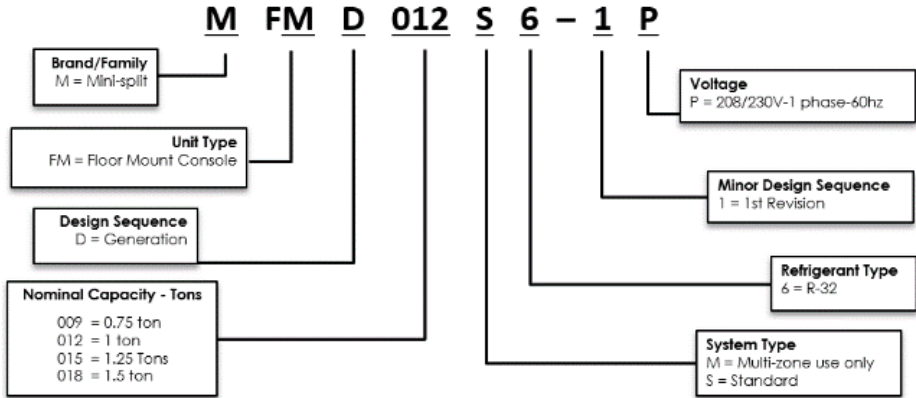


Panels for 4-way (3x3):

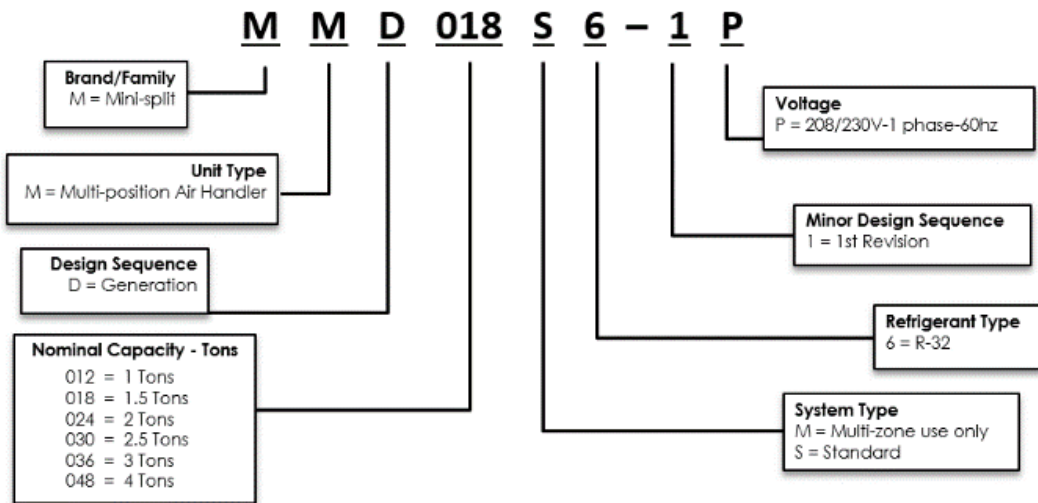
37P67 (white)

37P69 (black)

Model		Heat Pumps						
Floor Consoles		MWLD	MWPD	MWHD	MMLD SZ	MMPD SZ	MMLD MZ	MMPD MZ
MFMD009S6-1P	27K36				X		X	X
MFMD012S6-1P	27K55				X		X	X
MFMD018S6-1P	27K80				X		X	X
MFMD015M6-1P	27K77						X	X







Model		Heat Pumps						
Multi Position AHU		MWLD	MWPD	MWHD	MMLD SZ	MMPD SZ	MMLD MZ	MMPD MZ
MMD018S6-1P	27K57				X	X		
MMD024S6-1P	27K67				X	X		
MMD030S6-1P	27K68				X	X		
MMD036S6-1P	27K69				X	X		
MMD048S6-1P	27K70				X	X		
MMD012M6-1P	27K56						X	X
MMD018M6-1P	27K76						X	X
MMD024M6-1P	27K81						X	X



Refrigerant Detection System									
	MWHD/ MWMD	MWZD	M1WD	M22D	M33D	MFMD	MMDD 38C53	MDDD 38C52	MMD
7K		●							
9K		●	●	●		●	○		
12K		●	●	●		●	○	○	●
15K		●				●		○	
18K		●		●		●	○	○	●
24K		●						○	●
30K									●
36K								○	●
48K								○	●











● - RDS Factory Installed

○ - RDS Optional accessory (38C52, 38C53)

Controller		Model:	CAT #:
Wireless Remote Controller		VSTAT01P-1	37Y73
Touchscreen Wired Controller		VSTAT02P-1	37P79 37Y83*
Programmable Wired Controller		VSTAT04P-1	37Y74 37Y83*
Thermostat Adaptor (24V)		VSTAT09P-1	37Y96 37Y83*

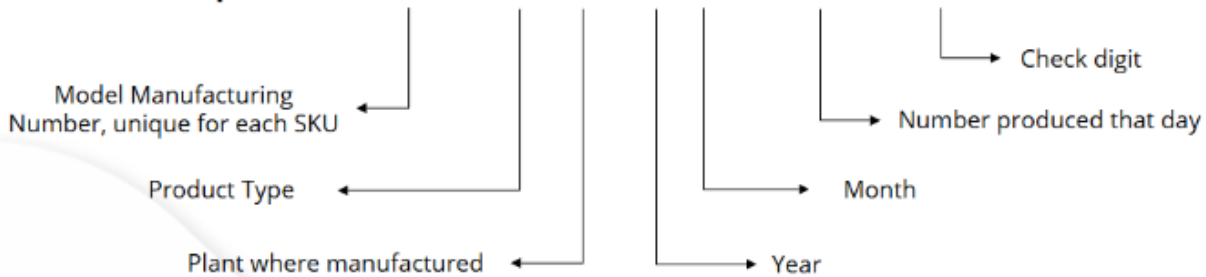
*37Y83 is required for the wired controllers when used with a wall-mount air handler.

Model Family	Wireless Remote included:	Wired Remote included:
MWMD Wall-mount	Yes	No
MWHD Wall-mount	Yes	No
3WMD Wall-mount	Yes	No
MWZD Wall-Mount	Yes	No
MFMD Floor mount	Yes	No
M1WD 1-way Cassette	No	No
M22D Cassette	No	No
M33D Cassette	No	No
MMDD Medium-static ducted	No	No
MDDD High-static ducted	No	No
MMD Multi-position AHU	No	No

Item Type			
Wiring		Cat #	
		29F41	
			Cat #
Condensate Pump		14T74 - BlueDiamond 1.3 GPH	
		Y5170 - BlueDiamond 3.7 GPH	
		14T69 - Asurity 8 GPH	
Equipment Pads		Cat #s	
		Y5014 18 x 38 x 3"	28V63 24" x 48" x 3"
		27V98 18" x 40" x 4"	27V97 18" x 40" x 4"
		Cat #s	
Stands		Y8240 - 12" Stand	
		Y8236 18" Stand	Y8397 10" Supreme Stand
		Y1427 12" Supreme Stand	22U18 18" Supreme Stand
		Cat #s	
Wall Brackets		X1727 30.5" L x 16.25" H	
		Y8239 25" L x 18.3" H	
		Cat #s	
Line Sets Cerroset		90X51 - 1/4" x 5/8" x 25 ft	
		X0260 - 1/4" x 5/8" x 50 ft	
		X8406 - 3/8" x 5/8" x 25 ft	
		X8407 - 3/8" x 5/8" x 50 ft	
		90X53 - 1/4" x 3/8" x 25 ft	
		X0258 - 1/4" x 3/8" x 50 ft	
		90X52 - 1/4" x 1/2" x 25 ft	
		X0259 - 1/4" x 1/2" x 50 ft	
Line Set Covers		Cat # for the kit	
		Y7950 - Complete Cover Kit	
Adapters		Cat #s	
		27X07 - A2L Thread Adapter	
		Y8534 - 5/16" Valve Core Tool	
		Y0576 - 5/16" to 1/4" Port Adapter	
R32 Refrigerant Cylinder		Cat #s	
		27X82 US	
		28B62 CA	

MODEL : WF45M5500AW/A5 51
 S/N : 01EB57ZX700001Z

Example: **01EB 57Z X7 00001 Z**



Year Code

2024	X
2025	Y

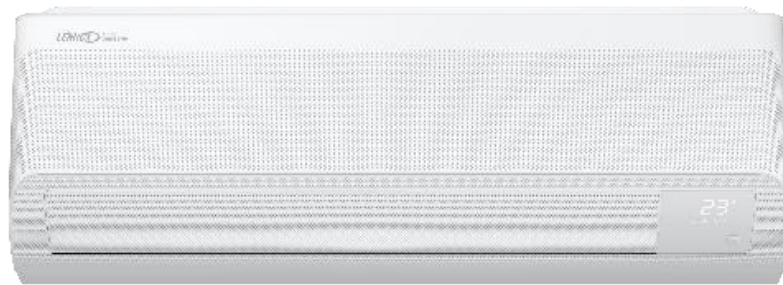
Month Code

Jan	Feb	Mar	Apr	May	Jun	Jul	Aug	Sep	Oct	Nov	Dec
1	2	3	4	5	6	7	8	9	A	B	C

Used for warranty registration:

Found on the unit's nameplate or through the SmartThings App

Both indoor and outdoor units have serial numbers to register



1. Calm Air Technology – featured on all wall mounts and cassettes

A mild breeze coming through thousands of micro-holes on the front panel instead of air coming directly through the front louver. Increases optimization and usage.

2. Built-in Wi-Fi – featured on all indoor air handlers

Features factory installed Wi-Fi connectivity for mobile device control utilizing SmartThings app. The app can control temperature, operational mode, fan speed and more!

3. Motion Detection Sensor (*Exclusive to MWMD models only*)

Integral MDS improves comfort control and can save energy when no people are in the room which can increase energy savings. Homeowners can choose direct or indirect airflow.

4. Freeze Wash

Homeowners can clean the indoor coil without having to call for service; wash out dirt & dust at the press of a button. It quickly freezes the heat exchanger to cover in frost, then air is blown to defrost the ice and wash away the dirt and dust, then it dries the remaining moisture.

5. AI Capabilities

Automatically operate any of the cool, dry, heat, and wind free modes depending on the learned user patterns. Uses machine learning to analyze usage patterns, room conditions, and environmental factors allowing it to automatically adjust the heating/cooling settings to optimize energy consumption.

