

# MMLD | Multi-Zone



Cold Climate | Heat Pump Outdoor Units | R-32 | 60 Hz

RESIDENTIAL / COMMERCIAL  
PRODUCT SPECIFICATIONS (EHB)

Up to 4 Zones  
SEER2 up to 23.0  
HSPF2 up to 10.5  
1.5 to 3 Tons

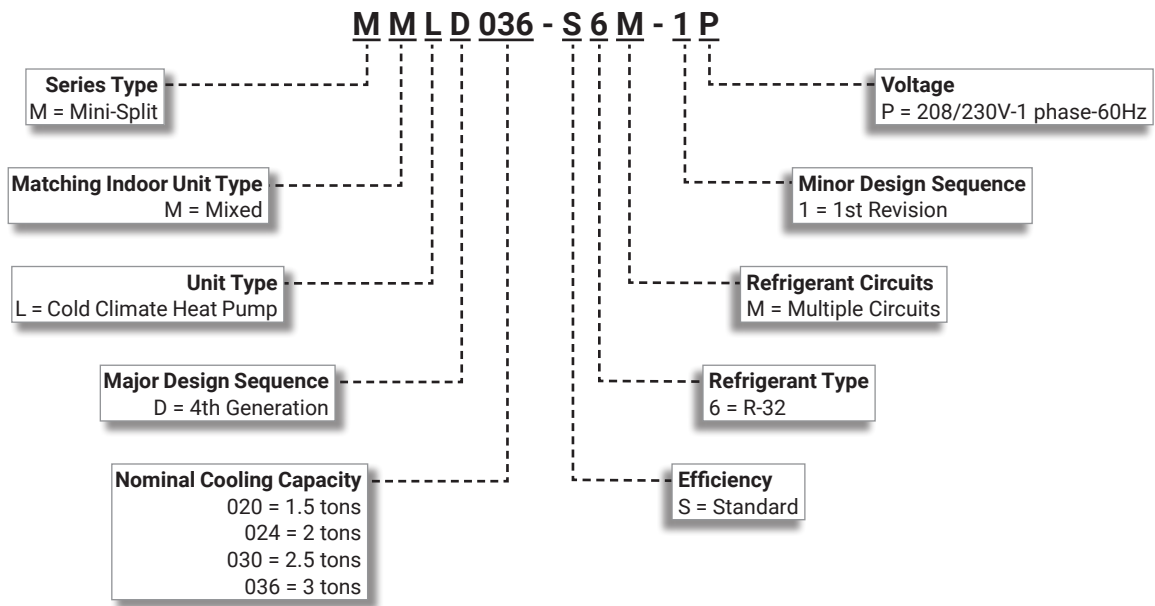
Cooling Capacity - 21,000 to 34,000 Btuh  
Heating Capacity - 22,000 to 36,600 Btuh  
Heating down to -13°F



MMLD Heat Pump Outdoor Units



## MODEL NUMBER IDENTIFICATION



## CONTENTS

|   |    |
|---|----|
| AHRI Ratings . . . . .                            | 12 |
| Approvals And Warranty . . . . .                  | 4  |
| Dimensions . . . . .                              | 34 |
| - Center Of Gravity. . . . .                      | 35 |
| - Unit . . . . .                                  | 34 |
| Features . . . . .                                | 4  |
| - Indoor Units Overview. . . . .                  | 6  |
| - Outdoor Units . . . . .                         | 4  |
| Installation Clearances . . . . .                 | 36 |
| Mobile Apps . . . . .                             | 2  |
| Model Number Identification. . . . .              | 2  |
| Multi-Zone System Combinations . . . . .          | 13 |
| Optional Accessories - Order Separately . . . . . | 11 |
| Outdoor / Indoor Unit Cross-Reference . . . . .   | 9  |
| Piping Diagram . . . . .                          | 40 |
| Sound Data . . . . .                              | 38 |
| Specifications . . . . .                          | 10 |
| System Components . . . . .                       | 3  |

## MOBILE APPS



- SmartThings is a free app that uses Wi-Fi to connect smart devices built on the Matter protocol, regardless of the company that makes them
- Users can remotely regulate temperature, adjust settings, receive real-time updates about system performance and energy usage, as well as troubleshoot solutions if service is needed
- Quickly and easily connect, automate and manage your smart home devices through SmartThings
- SmartThings is compatible with hundreds of smart home brands

- With SmartThings, you can connect, monitor and control multiple smart home devices quicker and easier
- Connect smart TVs, smart appliances, smart speakers and brands like Samsung, Ring, Nest and Philips Hue - all from one free app
- Control your smart devices using voice assistant skills including Alexa, Bixby and Google Assistant



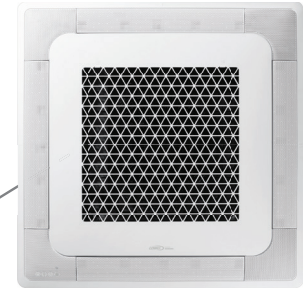
**SYSTEM COMPONENTS**



MDDD High-Static or MMDD Medium Static Ducted Indoor Unit



M1WD One-Way Cassette Non-Ducted Indoor Unit



M22D Cassette Non-Ducted Indoor Unit



MWHB/MWMD/MWZD Wall-Mounted Non-Ducted Indoor Unit

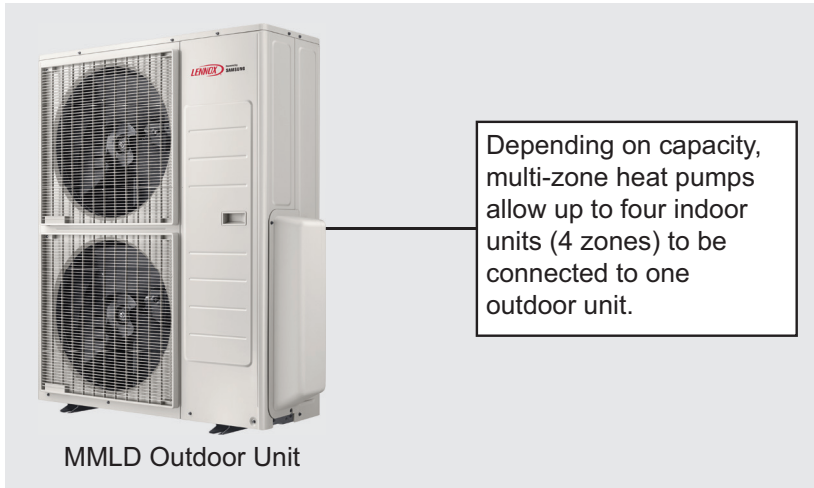


Wireless Remote Control (Furnished with Floor-Mount Console Models and Wall-Mount Models (optional for all other indoor units))



MFMD Floor-Mount Console Non-Ducted Indoor Unit

Also available:  
Advanced Wired Control  
Touchscreen Controller  
Thermostat Adaptor  
(use with any 24V thermostat)



MMLD Outdoor Unit

Depending on capacity, multi-zone heat pumps allow up to four indoor units (4 zones) to be connected to one outdoor unit.



MMD Multi-Position Air Handler

## APPROVALS AND WARRANTY

### APPROVALS

- AHRI Standard 210/240-2023 certified with Addenda 1 and 2
- ENERGY STAR® certified units are designed to use less energy, help save money on utility bills, and help protect the environment
- Rated According to U.S. Department of Energy (DOE) test procedures
- Outdoor units and components UL and CEC bonded for grounding to meet safety standards for servicing
- ETL certified for the U.S. and Canada

### WARRANTY

- Compressor - Limited seven years
- All other covered components
  - Limited five years in all applications
- Accessories and controls - Limited one year

**NOTE** - Refer to Lennox Basic Limited Warranty at [www.Lennox.com](http://www.Lennox.com) for additional details.

## FEATURES

### APPLICATIONS

- Cold climate heating down to -13°F (-25°C)
- 1.5 through 3 ton
- Single phase power supply (208/230V)
- Sound levels as low as 61 dBA
- Ductless mini-split systems provide a wide range of capacities and applications and provide an alternative when a ducted system is impractical or cost prohibitive
- Depending on capacity, multi-zone heat pumps allow up to four indoor units (4 zones) to be connected to one outdoor unit
- Units shipped completely factory assembled, internally piped, and wired

**NOTE** - Outdoor unit is designed for outdoor location only.

**NOTE** - It is recommended that Medium Static Ducted Indoor Units not be installed in unconditioned spaces with temperatures above 100°F.

### REFRIGERATION SYSTEM

#### R-32 Refrigerant

- Low GWP (Global Warming Potential)
- Zero ODP (Ozone Depletion Potential)
- Low Toxicity/Lower Flammability - A2L

#### Outdoor Coil

- Aluminum fins fitted to copper tubes

## OUTDOOR UNITS

### Outdoor Fan

- Direct drive fan moves large air volumes uniformly through entire outdoor coil for high refrigeration capacity
- Fan guard provided

### Refrigerant Line Connections, Service Valve

- Flare connection lines are located on side of unit cabinet
- Fully serviceable brass service valve prevents corrosion and provides access to refrigerant system

### COMPRESSOR

#### Variable Frequency Rotary Compressor

- Compressor features high efficiency operation
- Balanced for reduced vibration and quiet operation
- Brushless DC motor uses powerful Neodymium magnets, which are approximately 15-20 times stronger than ferrite magnets used in conventional AC compressors

**CONTROLS****DC Inverter Control**

- Provides continuous operation, while adjusting capacity according to room temperature
- The accurate sensing of cooling loads prevents frequent changes in capacity and ensures efficient, economical operation

**Inverter Module Protection**

- Protects against differences in current, voltage and temperature
- Displays code on the indoor unit indicating a need for servicing

**Outdoor Unit Microprocessor**

- Electronic expansion valve control
- Automatic compressor timed-off protection (3 minutes)
- Temperature sensor
- LEDs on control display error codes and assist in troubleshooting
- 4-Way reversing valve control

**Electronic Expansion Valve**

- Furnished on all models

**Compressor Overcurrent Protection**

- Overcurrent protection can result due to any of the following:
  - Ambient temperature is too high
  - Locked rotor on the compressor
  - Outdoor air is blocked or restricted

**Condenser High Temperature Protection**

- Condenser high temperature can occur due to any of the following conditions:
  - High outdoor ambient
  - Outdoor fan blocked
  - Outdoor coil blocked
- The outdoor coil thermistor continuously monitors the temperature and communicates with the microprocessor
- Depending on the temperature measured, the compressor will be allowed to increase the frequency if needed to meet the load or is forced to run at the current or reduced frequency
- If the temperature becomes excessively high the compressor will be de-energized

**Compressor Discharge Temperature Protection**

- The compressor discharge line thermistor continuously monitors the temperature and communicates with the microprocessor
- Depending on the temperature measured, the compressor will be allowed to increase the frequency to meet the load or is forced to run at the current or reduced frequency
- If the temperature becomes excessively high, the compressor will be de-energized

**Voltage Protection**

- Protects unit from low or high voltage fluctuations

**Terminal Strip**

- Furnished for easy wiring connections

**Defrost Control**

- Defrost cycle is automatically enabled if there is a build-up of frost on the outdoor coil
- Outdoor fan operation is terminated during the defrost cycle
- Indoor fan changes to ultra low speed during the defrost cycle to help bring warm refrigerant back to the outdoor coil to assist during defrost operation

**Reversing Valve**

- 4-way interchange reversing valve effects a rapid change in direction of refrigerant flow resulting in quick changeover from cooling to heating and vice versa
- Valve operates on pressure differential between outdoor unit and indoor unit of the system

**CABINET**

- Constructed of heavy gauge steel
- Tabs on unit base allow secure mounting to slab
- Condensate drain outlets furnished on unit base

**NOTE** - Drain must be field furnished.

- Pan heater prevents ice build-up in the bottom of the unit during heating operation
- Access cover for power and control wiring connections
- Access cover for service valves



**WALL-MOUNTED INDOOR UNITS**



- Eliminates ductwork by utilizing refrigerant piping to preserve space in the attic or closet
- Compact and unobtrusive design also blends seamlessly into any space
- Low-sound
- Swing louver angles to 90°
- **Calm Air Feature** - When louvers are closed, thousands of micro holes in panel provide a dispersed, gentle flow of air
- Unit installs horizontally on a vertical wall
- Vacuum or washable reusable filter media
- Wall plate furnished for installation
- Wireless remote controller furnished
- MWZD models feature RDS system factory installed

**NOTE** - See the MWHD, MWMD or MWZD Product Specifications.

**CASSETTE INDOOR UNITS**



- Eliminates ductwork by utilizing refrigerant piping to preserve space in the attic or closet
- Compact and unobtrusive design also blends seamlessly into any space
- Controls for On/Off, Defrost, Timer and Filter
- Low-sound
- Light weight, robust design
- Galvanized steel case
- Four-sided air distribution helps air to reach every corner of the room (M22D)
- Vacuum or washable reusable filter media
- **Calm Air Feature** - When louvers are closed, thousands of micro holes in panel provide a dispersed, gentle flow of air
- Louvers can be removed for easy cleaning
- Single air outlet is suitable for narrow ceilings, such as in lobbies and small meeting rooms (M1WD)

**NOTE** - The cassette panel must be ordered separately.

**NOTE** - See the M1WD/M22D Product Specifications.

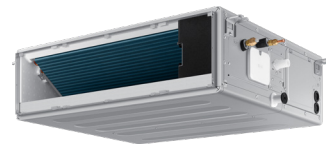
**FLOOR MOUNT INDOOR UNITS**



- Low-sound, three-speed Floor Mount Console with LED display
- Multi-blade fan distributes air vertically and horizontally with a wide angle sweeping motion
- Unit can sit on the floor or hang low on a wall
- Suitable for replacing a conventional radiator to provide both heating and cooling in almost any space
- Unit features dual air outlets to provide optimized air flow, ensuring that every part of the room reaches a comfortable temperature
- Wireless remote controller furnished

**NOTE** - See the MFMD Product Specifications.

**MEDIUM/HIGH STATIC DUCTED INDOOR UNITS**



- Slim, compact ducted design for limited space requirements
- Installs out of sight between the drop ceiling and ceiling slab with ducted distribution to the indoor space
- Multiple access points for easy setup and installation
- Smart pressure control adjusts fan speed based on external static pressure for consistent heating and cooling

**NOTE** - See the MDDD or MMDD Product Specifications.

**MULTI-POSITION AIR HANDLER INDOOR UNITS**



- Constant torque blower motor
- Multi-position cabinet (upflow, downflow, horizontal)
- Completely insulated with foil faced fiberglass insulation
- Low Leakage (less than 2%) Cabinet

**NOTE** - See the MMD Product Specifications.

## OPTIONAL ACCESSORIES - ORDER SEPARATELY

### OUTDOOR UNITS

(See Optional Accessories Table on page 11 for Selection)

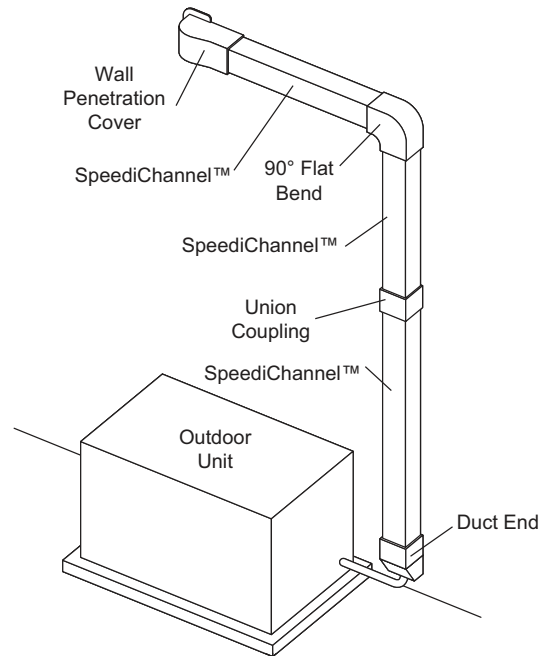
- Equipment Pads
- Equipment Stands
- Hail Guards
- Wind Baffles
- Wall Brackets
- Line Sets
- Control Wiring
- Disconnects
- Whips

### SPEEDICHANNEL™ SYSTEM



- SpeediChannel™ is a channel system covers system line sets
- Two-part system has a base and a cover
- Base is fastened to a wall or ceiling with plastic clips (SpeediClip™) that snap into a channel already molded into the base
- Cover fits on top of the base
- Manufactured from rigid PVC, which is UL rated and resistant to UV light
- System is a natural color that closely matches typical mini-split outdoor units
- Can be painted as desired to match any wall color

#### Typical Application



## OPTIONAL ACCESSORIES - ORDER SEPARATELY

### **SPEEDICHANNEL™ SYSTEM (continued)**

#### **SpeediChannel™ Starter Kit**

- The starter kit includes (1) Coupling, (1) Wall Penetration, (1) Inside Elbow, (1) Long Radius Flat Bend, (10) Speediclips™, (10) 11 in. Cable Ties, and (1) SpeediChannel Instruction Booklet

#### **Duct End**

- Duct Ends are used to terminate a run of SpeediChannel™ to a small opening just large enough for the line set and condensate drain line to pass through



#### **Flat Wall Escutcheon**

- Flat Wall Escutcheons are used to cover a rough opening in a soffit, wall, or ceiling penetration



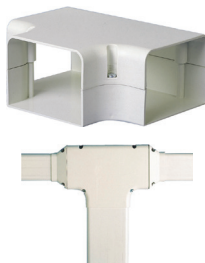
- One side of the escutcheon is flat to allow for a SpeediChannel™ to run along a wall and to penetrate through an adjacent wall or ceiling
- This is the most common type of wall penetration
- Furnished in two parts, the escutcheon easily snaps onto the SpeediChannel™

#### **Flex Joint**

- A Flex Joint is an accordion-style piece of SpeediChannel™
- The flex joint can be extremely flexible when routing a SpeediChannel™ system around an obstacle
- Each joint is 20 in. long and can be combined together for longer flex runs
- The flex joint does not require the use of a union coupling
- The flex joint slides tightly inside the SpeediChannel™ system

#### **T-Joint**

- T-Joints are used for creating a tee connection between three pieces of SpeediChannel™
- Each tee is individually packed and furnished with stainless steel screws



#### **Union Coupling**

- Union Couplings are used for joining two pieces of SpeediChannel™
- Each coupling is individually packed and furnished with stainless steel screws



#### **Wall Penetration Cover**

- Wall penetration covers are used to transition from the SpeediChannel™ system to a through wall penetration
- Wall covers are designed to allow for easy installation, even after the line set has been installed
- A hooking and fastening arrangement allows for quick installation
- Each wall cover is individually packed, and furnished with stainless steel screws to attach the wall cover to the base
- Three screws are necessary to fasten the wall cover to the wall construction, regardless of the type of installed system



#### **45° and 90° Flat Bend Elbows**

- 45° Flat Bends are used to route the SpeediChannel™ around obstacles
- Each bend is individually packed and furnished with stainless steel screws



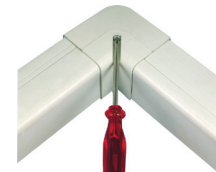
45°



90°

#### **90° Inside Elbow**

- 90° Inside Elbows are used to route the SpeediChannel™ around an inside corner
- Each elbow is individually packed and furnished with stainless steel screws



#### **Mount Block White Qty. (2) 14 in. and (2) 36 in.**

- Mount Blocks are used as mounting bases when outdoor units must be bolted down
- End caps (for aesthetics) come furnished with mounting bolts
- Maximum load capacity is 900 pounds per mounting block
- Installation temperatures range from -4°F to 140°F
- Mount blocks fit all mini-split outdoor units with a sliding rail feature





## OUTDOOR / INDOOR UNIT CROSS-REFERENCE

NOTE - See Multi-Zone System Combination Tables for additional information.

| Indoor Unit | Type                                 | Capacity and Type | Outdoor Unit  |               |               |               |
|-------------|--------------------------------------|-------------------|---------------|---------------|---------------|---------------|
|             |                                      |                   | MMLD020S6M-1P | MMLD024S6M-1P | MMLD030S6M-1P | MMLD036S6M-1P |
|             |                                      |                   | 20            | 24            | 30            | 36            |
| MWMD        | Wall-Mount High Efficiency           | 007M6             | •             | •             | •             | •             |
|             |                                      | 009S6             | •             | •             | •             | •             |
|             |                                      | 012S6             | •             | •             | •             | •             |
|             |                                      | 015M6             | •             | •             | •             | •             |
|             |                                      | 018S6             |               | •             | •             | •             |
|             |                                      | 024S6             |               |               | •             | •             |
| MWHD        | Wall-Mount Standard Efficiency       | 007M6             | •             | •             | •             | •             |
|             |                                      | 009S6             | •             | •             | •             | •             |
|             |                                      | 012S6             | •             | •             | •             | •             |
|             |                                      | 015S6             | •             | •             | •             | •             |
|             |                                      | 018S6             |               | •             | •             | •             |
|             |                                      | 024S6             |               |               | •             | •             |
| MWZD        | Wall-Mount Standard Efficiency + RDS | 007M6             | •             | •             | •             | •             |
|             |                                      | 009M6             | •             | •             | •             | •             |
|             |                                      | 012M6             | •             | •             | •             | •             |
|             |                                      | 015M6             | •             | •             | •             | •             |
|             |                                      | 018M6             |               | •             | •             | •             |
|             |                                      | 024M6             |               |               | •             | •             |
| M1WD        | 1-Way Cassette                       | 009S6             | •             | •             | •             | •             |
|             |                                      | 012S6             | •             | •             | •             | •             |
| M22D        | 4-Way Cassette (2 x 2)               | 009S6             | •             | •             | •             | •             |
|             |                                      | 012S6             | •             | •             | •             | •             |
|             |                                      | 018S6             |               | •             | •             | •             |
| MMDD        | Medium Static Ducted                 | 009S6             | •             | •             | •             | •             |
|             |                                      | 012S6             | •             | •             | •             | •             |
|             |                                      | 018S6             |               | •             | •             | •             |
| MDDD        | High Static Ducted                   | 009M6             | •             | •             | •             | •             |
|             |                                      | 012M6             | •             | •             | •             | •             |
|             |                                      | 015M6             | •             | •             | •             | •             |
|             |                                      | 018M6             |               | •             | •             | •             |
| MFMD        | Floor/Console                        | 009S6             | •             | •             | •             | •             |
|             |                                      | 012S6             | •             | •             | •             | •             |
|             |                                      | 015M6             | •             | •             | •             | •             |
|             |                                      | 018S6             |               | •             | •             | •             |
| MMD         | Air Handler                          | 012M6             | •             | •             | •             | •             |
|             |                                      | 018M6             |               | •             | •             | •             |
|             |                                      | 024M6             |               |               | •             | •             |

## SPECIFICATIONS

| Model                                     |   | MMLD020S6M               | MMLD024S6M        | MMLD030S6M        | MMLD036S6M        |
|---|---|--------------------------|-------------------|-------------------|-------------------|
| <b>Tons</b>                               |   | 1.5                      | 2                 | 2.5               | 3                 |
| <b>Number of Zones</b>                    |   | 3                        | 4                 | 4                 | 4                 |
| <b>Ambient Temperature Range - °F</b>     | Cooling   | 14 - 115                 | 14 - 115          | 14 - 115          | 14 - 115          |
|   | Heating   | -13 - 75                 | -13 - 75          | -13 - 75          | -13 - 75          |
| <b>Connections</b>                        | Liquid (flare) - in.  | (3) 1/4                  | (4) 1/4           | (4) 1/4           | (4) 1/4           |
|   | Gas (flare) - in.   | (3) 3/8                  | (2) 3/8 + (2) 1/2 | (2) 3/8 + (2) 1/2 | (2) 3/8 + (2) 1/2 |
|   | Maximum pipe length for all rooms - ft                          | 230                      | 230               | 230               | 230               |
|   | Maximum pipe length - outdoor to indoor unit - ft.              | 82                       | 82                | 82                | 82                |
|   | Maximum height difference between indoor and outdoor units - ft | 50                       | 50                | 50                | 50                |
|   | Maximum height difference between indoor and indoor units - ft  | 25                       | 25                | 25                | 25                |
| <b>Refrigerant</b>                        | Charge furnished (R-32)   | 6 lbs. 13 oz.            | 6 lbs. 13 oz.     | 6 lbs. 13 oz.     | 6 lbs. 13 oz.     |
| <b>Compressor</b>                         | Type  | Twin BLDC Rotary         |                   |                   |                   |
|   | Output (W)  | 10.01                    | 10.01             | 10.01             | 10.01             |
|   | Refrigerant oil type  | POE                      | POE               | POE               | POE               |
|   | Refrigerant oil charge - oz                                     | 33.8                     | 33.8              | 33.8              | 33.8              |
| <b>Outdoor Fan</b>                        | Number and Type   | 1 Propeller              | 1 Propeller       | 1 Propeller       | 1 Propeller       |
|   | cfm   | 3320                     | 3320              | 3320              | 3320              |
| <b>Outdoor Fan Motor</b>                  | Type  | BLDC                     | BLDC              | BLDC              | BLDC              |
|   | Output (W)  | (2) 125                  | (2) 125           | (2) 125           | (2) 125           |
| <b>Outdoor Coil</b>                       | Type  | Aluminum Fin/Copper Tube |                   |                   |                   |
| <b>Sound Data (dBA)</b>                   | Cooling   | 50                       | 51                | 52                | 52                |
|   | Heating   | 51                       | 52                | 53                | 53                |
| <b>Shipping Data</b>                      | Net   | 192                      | 194               | 194               | 194               |
|   | Shipping  | 208                      | 210               | 210               | 210               |
| <b>ELECTRICAL DATA</b>                    |   |                          |                   |                   |                   |
| <b>Line voltage data (Volts-Phase-Hz)</b> |   | 208/230-1-60             | 208/230-1-60      | 208/230-1-60      | 208/230-1-60      |
|   | <sup>1</sup> Maximum Overcurrent Protection (MOCP) amps         | 40                       | 40                | 40                | 40                |
|   | <sup>2</sup> Minimum circuit ampacity (MCA)                     | 35.9                     | 35.9              | 35.9              | 35.9              |

NOTE - Extremes of operating range are plus and minus 10% of line voltage.

<sup>1</sup> HACR type circuit breaker or fuse.

<sup>2</sup> Refer to National or Canadian Electrical Code manual to determine wire, fuse and disconnect size requirements.

**OPTIONAL ACCESSORIES - ORDER SEPARATELY**

| Description  | Order Number                                 | Size         |         |         |         |         |
|--|--|--------------|---------|---------|---------|---------|
|  |  | 020          | 024     | 030     | 036     |         |
| <b>OUTDOOR UNIT</b>  |  |              |         |         |         |         |
| Line Sets  | 1/4 x 3/8   3/8   25 ft.                     | <b>90X53</b> | 3 Zones | 2 Zones | 2 Zones | 2 Zones |
| Liquid x Gas OD   Insulation Thickness   Length                                | 1/4 x 3/8   3/8   50 ft.                     | <b>X0258</b> |         |         |         |         |
| Order number of line sets for each size zone connection                        | 1/4 x 1/2   3/8   25 ft.                     | <b>90X52</b> | ---     | 2 Zones | 2 Zones | 2 Zones |
|  | 1/4 x 1/2   3/8   50 ft.                     | <b>X0259</b> |         |         |         |         |
| Hail Guards  | Side   | <b>38U98</b> | •       | •       | •       | •       |
|  | Back   | <b>38U92</b> | •       | •       | •       | •       |
| Wind Baffles   | Front  | <b>38V16</b> | •       | •       | •       | •       |
|  | Back   | <b>38V10</b> | •       | •       | •       | •       |
| Equipment Pads   | 18 x 38 x 3 in. direct mount, gray plastic   | <b>Y5014</b> | •       | •       | •       | •       |
|  | 24 x 48 x 3 in. black                        | <b>28V63</b> | •       | •       | •       | •       |
| Equipment Stands   | 12 in. height, adjustable 34 to 40 in. white | <b>Y8240</b> | •       | •       | •       | •       |
|  | 18 in. height, adjustable 34 to 40 in. white | <b>Y8236</b> | •       | •       | •       | •       |
|  | 10 in. height, 24 x 36 in. gray              | <b>Y8397</b> | •       | •       | •       | •       |
|  | 18 in. height, 30 x 40 in. gray              | <b>28U18</b> | •       | •       | •       | •       |
| Wall Brackets  | Wall unit installation support tool          | <b>Y6999</b> | •       | •       | •       | •       |
|  | 30 x 16 in. (D x H) gray (qty 2)             | <b>X1727</b> | •       | •       | •       | •       |
| 25 x 18-3/8 in. (D x H), adjustable width 6 to 34 in. SS, wind/hurricane rated |  | <b>Y8239</b> | •       | •       | •       | •       |
| Control Wiring   | Five conductor cable, 250 ft. (14/3, 16/2)   | <b>29F41</b> | •       | •       | •       | •       |
|  | Weather-tight cable connector (qty 1)        | <b>29F45</b> | •       | •       | •       | •       |
| Disconnects  | 30A Pull-out Fusible                         | <b>Y9684</b> | •       | •       | •       | •       |
|  | 60A Pull-out Fusible                         | <b>Y9685</b> | •       | •       | •       | •       |
|  | 60A Pull-out Non-Fusible                     | <b>Y9686</b> | •       | •       | •       | •       |
| Whips  | Metal Fittings 1/2 in. x 6 ft., 10 AWG       | <b>29P54</b> | •       | •       | •       | •       |
|  | Metal Fittings 3/4 in. x 6 ft., 8 AWG        | <b>27P44</b> | •       | •       | •       | •       |
|  | Plastic Fittings 1/2 in. x 6 ft., 10 AWG     | <b>36P48</b> | •       | •       | •       | •       |
|  | Plastic Fittings 3/4 in. x 6 ft., 8 AWG      | <b>46N89</b> | •       | •       | •       | •       |
| <b>SPEEDICHANNEL™ SYSTEM</b>   |  |              |         |         |         |         |
| SpeediChannel™ Starter Kit - 4 in.   |  | <b>Y7950</b> | •       | •       | •       | •       |
| SpeediChannel - 4 in. x 6-1/2 ft. (qty. 6)                                     |  | <b>Y3388</b> | •       | •       | •       | •       |
| Union Coupling - 4 in.   |  | <b>Y3389</b> | •       | •       | •       | •       |
| 90° Flat Bend Elbow - 4 in.  |  | <b>Y3390</b> | •       | •       | •       | •       |
| 90° Inside Elbow - 4 in.   |  | <b>Y3391</b> | •       | •       | •       | •       |
| 90° Outside Elbow - 4 in.  |  | <b>Y6074</b> | •       | •       | •       | •       |
| 45° Flat Bend Elbow - 4 in.  |  | <b>Y3392</b> | •       | •       | •       | •       |
| Flex Joint - 4 in.   |  | <b>Y3393</b> | •       | •       | •       | •       |
| T-Joint - 4 in.  |  | <b>Y3394</b> | •       | •       | •       | •       |
| Duct End - 4 in.   |  | <b>Y3395</b> | •       | •       | •       | •       |
| Flat Wall Escutcheon - 4 in.   |  | <b>Y3396</b> | •       | •       | •       | •       |
| Wall Penetration Cover - 4 in.   |  | <b>Y3399</b> | •       | •       | •       | •       |
| Mount Block (White) Qty, 2 - 14 in.  |  | <b>Y3397</b> | •       | •       | •       | •       |
| Mount Block (White) Qty, 2 - 36 in.  |  | <b>Y3398</b> | •       | •       | •       | •       |

## AHRI RATINGS

| Outdoor Unit Model | System Type | Cooling Capacity | SEER2 | EER2  | Heating Capacity |       | HSPF2 (IV) | 1 AHRI Reference Number | Energy Star Certified? |
|--------------------|-------------|------------------|-------|-------|------------------|-------|------------|-------------------------|------------------------|
|                    |             |                  |       |       | High             | Low   |            |                         |                        |
| MMLD020S6M-1P      | Duct        | 21000            | 20.5  | 13.45 | 22000            | 13200 | 9.5        | 216760282               | Yes                    |
| MMLD020S6M-1P      | Non-Duct    | 21000            | 23    | 15    | 22000            | 13200 | 10.5       | 216760278               | Yes                    |
| MMLD020S6M-1P      | Mixed       | 21000            | 21.75 | 14.2  | 22000            | 13200 | 10         | 216760286               | Yes                    |
| MMLD024S6M-1P      | Duct        | 25000            | 20    | 13.5  | 25000            | 15000 | 9.5        | 216760281               | Yes                    |
| MMLD024S6M-1P      | Non-Duct    | 25000            | 23    | 14.55 | 25000            | 15200 | 10.4       | 216760277               | Yes                    |
| MMLD024S6M-1P      | Mixed       | 25000            | 21.5  | 14    | 25000            | 15100 | 9.95       | 216760285               | Yes                    |
| MMLD030S6M-1P      | Duct        | 28400            | 20    | 13    | 28600            | 17200 | 9.5        | 216760280               | Yes                    |
| MMLD030S6M-1P      | Non-Duct    | 28400            | 22.5  | 13.5  | 28600            | 17500 | 10         | 216760276               | Yes                    |
| MMLD030S6M-1P      | Mixed       | 28400            | 21.25 | 13.25 | 28600            | 17300 | 9.75       | 216760284               | Yes                    |
| MMLD036S6M-1P      | Duct        | 34000            | 18.5  | 11.7  | 34600            | 20600 | 8.5        | 216760279               | Yes                    |
| MMLD036S6M-1P      | Non-Duct    | 34000            | 21.5  | 12.5  | 36600            | 23000 | 9.5        | 216760275               | Yes                    |
| MMLD036S6M-1P      | Mixed       | 34000            | 20    | 12.1  | 35600            | 21800 | 9          | 216760283               | Yes                    |

<sup>1</sup> **Bold Reference Numbers indicate Energy Star approval.**

NOTE - Per AHRI, the certified ratings for systems are valid for all combinations of indoor units with the specific outdoor units listed above and in the AHRI Directory of Certified Equipment. Please visit <http://www.ahridirectory.org> for further details and latest updates.

<sup>2</sup> Ratings are AHRI certified to AHRI Standard 210/240;

- Cooling Ratings - 95°F wet bulb/75°F dry bulb outdoor air temperature and 80°F dry bulb/67°F wet bulb entering indoor coil air.
- High Temperature Heating Ratings - 47°F dry bulb/43°F wet bulb outdoor air temperature and 70°F dry bulb/60°F wet bulb entering indoor coil air.
- Low Temperature Heating Ratings - 17°F dry bulb/15°F wet bulb outdoor air temperature and 70°F dry bulb/60°F wet bulb entering indoor coil air.

To convert HSPF from Region IV to Region V - Divide by 1.15.

**NOTE - See separate MMLD Capacity Tables document for additional information.**

## MULTI-ZONE SYSTEM COMBINATIONS

### ※ Note

- Combination guide when applying MDDD\*\*\*M6-1P (High Static Concealed Ducted) or MMD\*\*\*M6-1P (MPAHU) indoor units
  - Two indoor unit combination can be configured with "MPAHU" or "High Static Concealed Ducted".
  - However, further connection of other kinds of indoor units is prohibited in this case.
  - If MDDD\*\*\*M6-1P (High Static Concealed Ducted) or MMD\*\*\*M6-1P (MPAHU) indoor units are included in the combination, the total sum of indoor unit nominal capacity cannot exceed the outdoor unit nominal capacity (max. 100% design diversity/capacity ratio).
  - If the indoor unit combination includes MDDD\*\*\*M6-1P (High Static Concealed Ducted) or MMD\*\*\*M6-1P (MPAHU) indoor units and does not meet the installation combination restrictions, error code E563 error will display and the system will not operate.
  - If error code E563 occurs, Cool Mode and Pipe Check operations are still possible.

| Combination Guide for Systems That Include MDDD***M6-1P or MMD***M6-1P |                     |                          |                          |                          |                   |               |
|--|---------------------|--------------------------|--------------------------|--------------------------|-------------------|---------------|
| Outdoor Unit Model Code  | Mixed Installation* | 4 Indoor Unit Connection | 3 Indoor Unit Connection | 2 Indoor Unit Connection | Combination Ratio | Outdoor Index |
| MMLD020S6M-1P  | Allowed             | Not Allowed              | Not Allowed              | Allowed                  | ≤ 1.0             | 21            |
| MMLD024S6M-1P  | Allowed             | Not Allowed              | Allowed                  | Allowed                  | ≤ 1.0             | 24            |
| MMLD030S6M-1P  | Allowed             | Not Allowed              | Allowed                  | Allowed                  | ≤ 1.0             | 30            |
| MMLD036S6M-1P  | Allowed             | Not Allowed              | Allowed                  | Allowed                  | ≤ 1.0             | 36            |

\* Mixed installation means mixing MDDD\*\*\*M6-1P and MMD\*\*\*M6-1P units on the same system



# MULTI-ZONE SYSTEM COMBINATIONS

## Combinations that include High Static Concealed Ducted and MPAHU indoor units and optional Medium Static Concealed Ducted and non-ducted indoor units.

Note

1. Combination tables on the following pages lists combinations for systems with all non-ducted units or all ducted units (not mixed). While reviewing indoor unit combinations in this section, if High Static Concealed Ducted or MPAHU indoor units are included in the system combination, only the combinations noted below are allowed (mixed High Static Concealed Ducted/MPAHU with other indoor unit types).
2. System combinations that include one High Static Concealed Ducted or one MPAHU can also include Medium Static Concealed Ducted , high-wall, cassette, and Floor Mount Console indoor units.

MMLD020S6M-1P  
Outdoor Index: 21

| Unit Qty. | Indoor Index |    |   |   |   | Total |
|-----------|--------------|----|---|---|---|-------|
|           | A            | B  | C | D | E |       |
| 2         | 7            | 9  |   |   |   | 16    |
|           | 7            | 12 |   |   |   | 19    |
|           | 9            | 9  |   |   |   | 18    |
|           | 9            | 12 |   |   |   | 21    |

MMLD024S6M-1P  
Outdoor Index: 24

| Unit Qty. | Indoor Index |    |   |   |   | Total |
|-----------|--------------|----|---|---|---|-------|
|           | A            | B  | C | D | E |       |
| 2         | 7            | 9  |   |   |   | 16    |
|           | 7            | 12 |   |   |   | 19    |
|           | 7            | 15 |   |   |   | 22    |
|           | 9            | 9  |   |   |   | 18    |
|           | 9            | 12 |   |   |   | 21    |
|           | 9            | 15 |   |   |   | 24    |
|           | 12           | 12 |   |   |   | 24    |
|           | 12           | 15 |   |   |   | 27    |
| 3         | 7            | 7  | 9 |   |   | 23    |

MMLD030S6M-1P  
Outdoor Index: 30

| Unit Qty. | Indoor Index |    |    |   |   | Total |
|-----------|--------------|----|----|---|---|-------|
|           | A            | B  | C  | D | E |       |
| 2         | 7            | 9  |    |   |   | 16    |
|           | 7            | 12 |    |   |   | 19    |
|           | 7            | 15 |    |   |   | 22    |
|           | 7            | 18 |    |   |   | 25    |
|           | 9            | 9  |    |   |   | 18    |
|           | 9            | 12 |    |   |   | 21    |
|           | 9            | 15 |    |   |   | 24    |
|           | 9            | 18 |    |   |   | 27    |
|           | 12           | 12 |    |   |   | 24    |
|           | 12           | 15 |    |   |   | 27    |
|           | 12           | 18 |    |   |   | 30    |
|           | 15           | 15 |    |   |   | 30    |
| 3         | 7            | 7  | 7  |   |   | 21    |
|           | 7            | 7  | 9  |   |   | 23    |
|           | 7            | 7  | 12 |   |   | 26    |
|           | 7            | 7  | 15 |   |   | 29    |
|           | 7            | 9  | 9  |   |   | 25    |
|           | 7            | 9  | 12 |   |   | 28    |
|           | 9            | 9  | 9  |   |   | 27    |
|           | 9            | 9  | 12 |   |   | 30    |

MMLD036S6M-1P  
Outdoor Index: 36

| Unit Qty. | Indoor Index |    |    |    |   | Total |    |
|-----------|--------------|----|----|----|---|-------|----|
|           | A            | B  | C  | D  | E |       |    |
| 2         | 7            | 9  |    |    |   | 16    |    |
|           | 7            | 12 |    |    |   | 19    |    |
|           | 7            | 15 |    |    |   | 22    |    |
|           | 7            | 18 |    |    |   | 25    |    |
|           | 7            | 24 |    |    |   | 31    |    |
|           | 9            | 9  |    |    |   | 18    |    |
|           | 9            | 12 |    |    |   | 21    |    |
|           | 9            | 15 |    |    |   | 24    |    |
|           | 9            | 18 |    |    |   | 27    |    |
|           | 9            | 24 |    |    |   | 33    |    |
|           | 12           | 12 |    |    |   | 24    |    |
|           | 12           | 15 |    |    |   | 27    |    |
|           | 12           | 18 |    |    |   | 30    |    |
|           | 12           | 24 |    |    |   | 36    |    |
|           | 15           | 15 |    |    |   | 30    |    |
|           | 15           | 18 |    |    |   | 33    |    |
|           | 18           | 18 |    |    |   | 36    |    |
|           | 3            | 7  | 7  | 9  |   |       | 23 |
|           |              | 7  | 7  | 12 |   |       | 26 |
|           |              | 7  | 7  | 15 |   |       | 29 |
| 7         |              | 9  | 9  |    |   | 25    |    |
| 7         |              | 9  | 12 |    |   | 28    |    |
| 7         |              | 9  | 15 |    |   | 31    |    |
| 7         |              | 9  | 18 |    |   | 34    |    |
| 7         |              | 12 | 12 |    |   | 31    |    |
| 7         |              | 12 | 15 |    |   | 34    |    |
| 9         |              | 9  | 9  |    |   | 27    |    |
| 9         |              | 9  | 12 |    |   | 30    |    |
| 9         |              | 9  | 15 |    |   | 33    |    |
| 9         |              | 9  | 18 |    |   | 36    |    |
| 9         |              | 12 | 12 |    |   | 33    |    |
| 9         |              | 12 | 15 |    |   | 36    |    |
| 12        |              | 12 | 12 |    |   | 36    |    |

# MULTI-ZONE SYSTEM COMBINATIONS

## MMLD020S6M-1P

### Cooling (Ducted)

| Unit | Indoor Index |    |   |   |   |     | Cooling Capacity (btu) |        |       |   |   |        | Capacity |        |        | Power Consumption |       |       | Current |       |       | EER   |
|------|--------------|----|---|---|---|-----|------------------------|--------|-------|---|---|--------|----------|--------|--------|-------------------|-------|-------|---------|-------|-------|-------|
|      | A            | B  | C | D | E | TTL | A                      | B      | C     | D | E | TTL    | btu      |        |        | W                 |       |       | A       |       |       | btu/W |
|      |              |    |   |   |   |     |                        |        |       |   |   |        | MIN      | Rated  | MAX    | MIN               | Rated | MAX   | MIN     | Rated | MAX   | Rated |
| 2    | 9            | 9  |   |   |   | 18  | 9,000                  | 9,000  |       |   |   | 18,000 | 9,000    | 18,000 | 24,000 | 656               | 1,350 | 2,000 | 3.10    | 6.00  | 8.90  | 13.33 |
|      | 9            | 12 |   |   |   | 21  | 9,000                  | 12,000 |       |   |   | 21,000 | 9,000    | 21,000 | 27,000 | 657               | 1,560 | 2,320 | 3.10    | 6.90  | 10.30 | 13.46 |
|      | 12           | 12 |   |   |   | 24  | 10,500                 | 10,500 |       |   |   | 21,000 | 9,000    | 21,000 | 30,000 | 661               | 1,560 | 2,740 | 3.20    | 6.90  | 12.20 | 13.46 |
| 3    | 9            | 9  | 9 |   |   | 27  | 7,000                  | 7,000  | 7,000 |   |   | 21,000 | 9,500    | 21,000 | 34,000 | 600               | 1,560 | 2,900 | 2.90    | 6.90  | 12.90 | 13.45 |

### Heating (Ducted)

| Unit | Indoor Index |    |   |   |   |     | Heating Capacity (btu) |        |       |   |   |        | Capacity |        |        | Power Consumption |       |       | Current |       |       | COP   |
|------|--------------|----|---|---|---|-----|------------------------|--------|-------|---|---|--------|----------|--------|--------|-------------------|-------|-------|---------|-------|-------|-------|
|      | A            | B  | C | D | E | TTL | A                      | B      | C     | D | E | TTL    | btu      |        |        | W                 |       |       | A       |       |       | W/W   |
|      |              |    |   |   |   |     |                        |        |       |   |   |        | MIN      | Rated  | MAX    | MIN               | Rated | MAX   | MIN     | Rated | MAX   | Rated |
| 2    | 9            | 9  |   |   |   | 18  | 10,900                 | 10,900 |       |   |   | 21,800 | 7,600    | 21,800 | 30,000 | 450               | 2,210 | 3,000 | 2.20    | 9.80  | 13.30 | 2.89  |
|      | 9            | 12 |   |   |   | 21  | 9,430                  | 12,570 |       |   |   | 22,000 | 7,600    | 22,000 | 34,000 | 450               | 2,230 | 3,220 | 2.20    | 9.90  | 14.30 | 2.89  |
|      | 12           | 12 |   |   |   | 24  | 11,000                 | 11,000 |       |   |   | 22,000 | 7,600    | 22,000 | 36,000 | 450               | 2,230 | 3,440 | 2.20    | 9.90  | 15.30 | 2.89  |
| 3    | 9            | 9  | 9 |   |   | 27  | 7,330                  | 7,330  | 7,340 |   |   | 22,000 | 7,600    | 22,000 | 38,000 | 450               | 2,010 | 3,560 | 2.20    | 8.90  | 15.80 | 3.20  |

### NOTE

- Cooling capacity is based on 80°FDB(26.7°CDB) / 80°FDB(19.4°CWB) (indoor temperature), 95°FDB(35°CDB) (outdoor temperature).
- Heating capacity is based on 70°FDB(21.1°CDB) (indoor temperature), 47°FDB(8.33°CDB) / 43°FDB(6.11°CWB) (outdoor temperature).
- Capacities are based on the following conditions:  
- Corresponding refrigerant piping length : 24.6ft(7.5m) / - Level difference : 0m
- The total combination Index of connected a indoor unit is up to 27.
- At least two indoor units must be connected for operation.
- If MDDD\*\*\*M6-1P or MMD\*\*\*M6-1P is included in the combination, the combination criteria noted must be followed.

# MULTI-ZONE SYSTEM COMBINATIONS

## MMLD020S6M-1P

### Cooling (Non Ducted)

| Unit | Indoor Index |    |    |   |   |     | Cooling Capacity (btu) |        |       |   |   |        | Capacity |        |        | Power Consumption |       |       | Current |       |       | EER   |
|------|--------------|----|----|---|---|-----|------------------------|--------|-------|---|---|--------|----------|--------|--------|-------------------|-------|-------|---------|-------|-------|-------|
|      | A            | B  | C  | D | E | TTL | A                      | B      | C     | D | E | TTL    | btu      |        |        | W                 |       |       | A       |       |       | btu/W |
|      |              |    |    |   |   |     |                        |        |       |   |   |        | MIN      | Rated  | MAX    | MIN               | Rated | MAX   | MIN     | Rated | MAX   | Rated |
| 2    | 7            | 7  |    |   |   | 14  | 7,000                  | 7,000  |       |   |   | 14,000 | 9,000    | 14,000 | 21,000 | 650               | 1,140 | 1,500 | 3.10    | 5.10  | 6.70  | 12.28 |
|      | 7            | 9  |    |   |   | 16  | 7,000                  | 9,000  |       |   |   | 16,000 | 9,000    | 16,000 | 23,000 | 651               | 1,250 | 1,700 | 3.10    | 5.50  | 7.50  | 12.80 |
|      | 7            | 12 |    |   |   | 19  | 7,000                  | 12,000 |       |   |   | 19,000 | 9,000    | 19,000 | 26,000 | 652               | 1,460 | 2,100 | 3.10    | 6.50  | 9.30  | 13.01 |
|      | 7            | 15 |    |   |   | 22  | 6,680                  | 14,320 |       |   |   | 21,000 | 9,000    | 21,000 | 30,000 | 653               | 1,560 | 2,630 | 3.10    | 6.90  | 11.70 | 13.46 |
|      | 9            | 9  |    |   |   | 18  | 9,000                  | 9,000  |       |   |   | 18,000 | 9,000    | 18,000 | 24,500 | 656               | 1,350 | 1,950 | 3.10    | 6.00  | 8.70  | 13.33 |
|      | 9            | 12 |    |   |   | 21  | 9,000                  | 12,000 |       |   |   | 21,000 | 9,000    | 21,000 | 28,000 | 657               | 1,560 | 2,400 | 3.10    | 6.90  | 10.60 | 13.46 |
|      | 9            | 15 |    |   |   | 24  | 7,880                  | 13,120 |       |   |   | 21,000 | 9,000    | 21,000 | 30,000 | 658               | 1,560 | 2,630 | 3.10    | 6.90  | 11.70 | 13.46 |
|      | 12           | 12 |    |   |   | 24  | 10,500                 | 10,500 |       |   |   | 21,000 | 9,000    | 21,000 | 30,000 | 661               | 1,560 | 2,630 | 3.20    | 6.90  | 11.70 | 13.46 |
| 3    | 7            | 7  | 7  |   |   | 21  | 7,000                  | 7,000  | 7,000 |   |   | 21,000 | 9,500    | 21,000 | 30,000 | 600               | 1,400 | 2,200 | 2.90    | 6.20  | 9.80  | 15.00 |
|      | 7            | 7  | 9  |   |   | 23  | 6,390                  | 6,390  | 8,220 |   |   | 21,000 | 9,500    | 21,000 | 32,000 | 600               | 1,400 | 2,540 | 2.90    | 6.20  | 11.30 | 15.00 |
|      | 7            | 7  | 12 |   |   | 26  | 5,650                  | 5,650  | 9,700 |   |   | 21,000 | 9,500    | 21,000 | 34,000 | 600               | 1,400 | 2,740 | 2.90    | 6.20  | 12.20 | 15.00 |
|      | 7            | 9  | 9  |   |   | 25  | 5,880                  | 7,560  | 7,560 |   |   | 21,000 | 9,500    | 21,000 | 34,000 | 600               | 1,400 | 2,740 | 2.90    | 6.20  | 12.20 | 15.00 |
|      | 9            | 9  | 9  |   |   | 27  | 7,000                  | 7,000  | 7,000 |   |   | 21,000 | 9,500    | 21,000 | 34,000 | 600               | 1,400 | 2,740 | 2.90    | 6.20  | 12.20 | 15.00 |

### Heating (Non Ducted)

| Unit | Indoor Index |    |    |   |   |     | Heating Capacity (btu) |        |        |   |   |        | Capacity |        |        | Power Consumption |       |       | Current |       |       | COP   |
|------|--------------|----|----|---|---|-----|------------------------|--------|--------|---|---|--------|----------|--------|--------|-------------------|-------|-------|---------|-------|-------|-------|
|      | A            | B  | C  | D | E | TTL | A                      | B      | C      | D | E | TTL    | btu      |        |        | W                 |       |       | A       |       |       | W/W   |
|      |              |    |    |   |   |     |                        |        |        |   |   |        | MIN      | Rated  | MAX    | MIN               | Rated | MAX   | MIN     | Rated | MAX   | Rated |
| 2    | 7            | 7  |    |   |   | 14  | 7,500                  | 7,500  |        |   |   | 15,000 | 7,600    | 15,000 | 27,000 | 450               | 1,260 | 2,180 | 2.20    | 5.60  | 9.70  | 3.49  |
|      | 7            | 9  |    |   |   | 16  | 8,050                  | 10,350 |        |   |   | 18,400 | 7,600    | 18,400 | 30,000 | 450               | 1,530 | 2,420 | 2.20    | 6.80  | 10.70 | 3.52  |
|      | 7            | 12 |    |   |   | 19  | 8,030                  | 13,770 |        |   |   | 21,800 | 7,600    | 21,800 | 32,000 | 450               | 1,710 | 2,800 | 2.20    | 7.60  | 12.40 | 3.74  |
|      | 7            | 15 |    |   |   | 22  | 7,000                  | 15,000 |        |   |   | 22,000 | 7,600    | 22,000 | 32,000 | 450               | 1,740 | 2,800 | 2.20    | 7.70  | 12.40 | 3.71  |
|      | 9            | 9  |    |   |   | 18  | 10,900                 | 10,900 |        |   |   | 21,800 | 7,600    | 21,800 | 32,000 | 450               | 1,710 | 2,650 | 2.20    | 7.60  | 11.80 | 3.74  |
|      | 9            | 12 |    |   |   | 21  | 9,430                  | 12,570 |        |   |   | 22,000 | 7,600    | 22,000 | 32,000 | 450               | 1,740 | 2,800 | 2.20    | 7.70  | 12.40 | 3.71  |
|      | 9            | 15 |    |   |   | 24  | 8,250                  | 13,750 |        |   |   | 22,000 | 7,600    | 22,000 | 32,000 | 450               | 1,740 | 2,800 | 2.20    | 7.70  | 12.40 | 3.71  |
|      | 12           | 12 |    |   |   | 24  | 11,000                 | 11,000 |        |   |   | 22,000 | 7,600    | 22,000 | 32,000 | 450               | 1,740 | 2,800 | 2.20    | 7.70  | 12.40 | 3.71  |
| 3    | 7            | 7  | 7  |   |   | 21  | 7,330                  | 7,330  | 7,340  |   |   | 22,000 | 7,600    | 22,000 | 32,000 | 450               | 1,390 | 2,400 | 2.20    | 6.20  | 10.60 | 4.64  |
|      | 7            | 7  | 9  |   |   | 23  | 6,700                  | 6,700  | 8,600  |   |   | 22,000 | 7,600    | 22,000 | 37,000 | 450               | 1,390 | 2,920 | 2.20    | 6.20  | 13.00 | 4.64  |
|      | 7            | 7  | 12 |   |   | 26  | 5,920                  | 5,920  | 10,160 |   |   | 22,000 | 7,600    | 22,000 | 42,000 | 450               | 1,390 | 3,440 | 2.20    | 6.20  | 15.30 | 4.64  |
|      | 7            | 9  | 9  |   |   | 25  | 6,160                  | 7,920  | 7,920  |   |   | 22,000 | 7,600    | 22,000 | 42,000 | 450               | 1,390 | 3,440 | 2.20    | 6.20  | 15.30 | 4.64  |
|      | 9            | 9  | 9  |   |   | 27  | 7,330                  | 7,330  | 7,340  |   |   | 22,000 | 7,600    | 22,000 | 42,000 | 450               | 1,390 | 3,440 | 2.20    | 6.20  | 15.30 | 4.64  |

### NOTE

- Cooling capacity is based on 80°FDB(26.7°CDB) / 80°FDB(19.4°CWB) (indoor temperature), 95°FDB(35°CDB) (outdoor temperature).
- Heating capacity is based on 70°FDB(21.1°CDB) (indoor temperature), 47°FDB(8.33°CDB) / 43°FDB(6.11°CWB) (outdoor temperature).
- Capacities are based on the following conditions:
  - Corresponding refrigerant piping length : 24.6ft(7.5m) / - Level difference : 0m
- The total combination Index of connected a indoor unit is up to 27.
- At least two indoor units must be connected for operation.
- Also, Refer to the table for combinations that include non-duct and Medium Static Concealed Ducted indoor units.

# MULTI-ZONE SYSTEM COMBINATIONS

## MMLD024S6M-1P

### Cooling (Ducted)

| Unit | Indoor Index |    |    |   |   |     | Cooling Capacity (btu) |        |        |   |   |        | Capacity |        |        | Power Consumption |       |       | Current |       |       | EER   |
|------|--------------|----|----|---|---|-----|------------------------|--------|--------|---|---|--------|----------|--------|--------|-------------------|-------|-------|---------|-------|-------|-------|
|      | A            | B  | C  | D | E | TTL | A                      | B      | C      | D | E | TTL    | btu      |        |        | W                 |       |       | A       |       |       | btu/W |
|      |              |    |    |   |   |     |                        |        |        |   |   |        | MIN      | Rated  | MAX    | MIN               | Rated | MAX   | MIN     | Rated | MAX   | Rated |
| 2    | 9            | 9  |    |   |   | 18  | 9,000                  | 9,000  |        |   |   | 18,000 | 9,000    | 18,000 | 24,000 | 656               | 1,350 | 2,000 | 3.10    | 6.00  | 8.90  | 13.33 |
|      | 9            | 12 |    |   |   | 21  | 9,000                  | 12,000 |        |   |   | 21,000 | 9,000    | 21,000 | 27,000 | 657               | 1,560 | 2,320 | 3.10    | 6.90  | 10.30 | 13.46 |
|      | 9            | 15 |    |   |   | 24  | 9,000                  | 15,000 |        |   |   | 24,000 | 9,000    | 24,000 | 30,000 | 658               | 1,870 | 2,740 | 3.10    | 8.30  | 12.20 | 12.83 |
|      | 9            | 18 |    |   |   | 27  | 8,330                  | 16,670 |        |   |   | 25,000 | 9,000    | 25,000 | 33,000 | 659               | 1,880 | 2,800 | 3.20    | 8.30  | 12.40 | 13.30 |
|      | 12           | 12 |    |   |   | 24  | 12,000                 | 12,000 |        |   |   | 24,000 | 9,000    | 24,000 | 30,000 | 661               | 1,770 | 2,740 | 3.20    | 7.90  | 12.20 | 13.56 |
|      | 12           | 15 |    |   |   | 27  | 11,110                 | 13,890 |        |   |   | 25,000 | 9,000    | 25,000 | 33,000 | 658               | 1,880 | 2,800 | 3.10    | 8.30  | 12.40 | 13.30 |
|      | 12           | 18 |    |   |   | 30  | 10,000                 | 15,000 |        |   |   | 25,000 | 9,000    | 25,000 | 33,000 | 663               | 1,880 | 2,800 | 3.20    | 8.30  | 12.40 | 13.30 |
| 3    | 9            | 9  | 9  |   |   | 27  | 8,330                  | 8,330  | 8,340  |   |   | 25,000 | 9,500    | 25,000 | 34,000 | 600               | 1,850 | 2,900 | 2.90    | 8.20  | 12.90 | 13.50 |
|      | 9            | 9  | 12 |   |   | 30  | 7,500                  | 7,500  | 10,000 |   |   | 25,000 | 9,500    | 25,000 | 34,000 | 600               | 1,850 | 2,900 | 2.90    | 8.20  | 12.90 | 13.51 |

### Heating (Ducted)

| Unit | Indoor Index |    |    |   |   |     | Heating Capacity (btu) |        |        |   |   |        | Capacity |        |        | Power Consumption |       |       | Current |       |       | COP   |
|------|--------------|----|----|---|---|-----|------------------------|--------|--------|---|---|--------|----------|--------|--------|-------------------|-------|-------|---------|-------|-------|-------|
|      | A            | B  | C  | D | E | TTL | A                      | B      | C      | D | E | TTL    | btu      |        |        | W                 |       |       | A       |       |       | W/W   |
|      |              |    |    |   |   |     |                        |        |        |   |   |        | MIN      | Rated  | MAX    | MIN               | Rated | MAX   | MIN     | Rated | MAX   | Rated |
| 2    | 9            | 9  |    |   |   | 18  | 10,900                 | 10,900 |        |   |   | 21,800 | 7,600    | 21,800 | 30,000 | 450               | 2,210 | 3,000 | 2.20    | 9.80  | 13.30 | 2.89  |
|      | 9            | 12 |    |   |   | 21  | 9,430                  | 12,570 |        |   |   | 22,000 | 7,600    | 22,000 | 34,000 | 450               | 2,230 | 3,220 | 2.20    | 9.90  | 14.30 | 2.89  |
|      | 9            | 15 |    |   |   | 24  | 9,380                  | 15,620 |        |   |   | 25,000 | 7,600    | 25,000 | 36,000 | 451               | 2,360 | 3,440 | 2.20    | 10.50 | 15.30 | 3.10  |
|      | 9            | 18 |    |   |   | 27  | 8,330                  | 16,670 |        |   |   | 25,000 | 7,600    | 25,000 | 37,000 | 450               | 2,360 | 3,560 | 2.20    | 10.50 | 15.80 | 3.10  |
|      | 12           | 12 |    |   |   | 24  | 12,500                 | 12,500 |        |   |   | 25,000 | 7,600    | 25,000 | 36,000 | 450               | 2,360 | 3,440 | 2.20    | 10.50 | 15.30 | 3.10  |
|      | 12           | 15 |    |   |   | 27  | 11,110                 | 13,890 |        |   |   | 25,000 | 7,600    | 25,000 | 37,000 | 451               | 2,360 | 3,560 | 2.20    | 10.50 | 15.80 | 3.10  |
|      | 12           | 18 |    |   |   | 30  | 10,000                 | 15,000 |        |   |   | 25,000 | 7,600    | 25,000 | 37,000 | 450               | 2,360 | 3,560 | 2.20    | 10.50 | 15.80 | 3.10  |
| 3    | 9            | 9  | 9  |   |   | 27  | 8,330                  | 8,330  | 8,340  |   |   | 25,000 | 7,600    | 25,000 | 38,000 | 450               | 2,220 | 3,560 | 2.20    | 9.80  | 15.80 | 3.30  |
|      | 9            | 9  | 12 |   |   | 30  | 7,500                  | 7,500  | 10,000 |   |   | 25,000 | 7,600    | 25,000 | 38,000 | 450               | 2,220 | 3,560 | 2.20    | 9.80  | 15.80 | 3.30  |

### NOTE

- Cooling capacity is based on 80°FDB(26.7°CDB) / 80°FDB(19.4°CWB) (indoor temperature), 95°FDB(35°CDB) (outdoor temperature).
- Heating capacity is based on 70°FDB(21.1°CDB) (indoor temperature), 47°FDB(8.33°CDB) / 43°FDB(6.11°CWB) (outdoor temperature).
- Capacities are based on the following conditions:
  - Corresponding refrigerant piping length : 24.6ft(7.5m) / - Level difference : 0m
- The total combination Index of connected a indoor unit is up to 30.
- At least two indoor units must be connected for operation.
- If MDDD\*\*\*M6-1P or MMD\*\*\*M6-1P is included in the combination, the combination criteria noted must be followed.

# MULTI-ZONE SYSTEM COMBINATIONS

## MMLD024S6M-1P

### Cooling (Non Ducted)

| Unit | Indoor Index |    |    |   |    |        | Cooling Capacity (btu) |        |        |       |        |        | Capacity |        |        | Power Consumption |       |       | Current |       |       | EER   |
|------|--------------|----|----|---|----|--------|------------------------|--------|--------|-------|--------|--------|----------|--------|--------|-------------------|-------|-------|---------|-------|-------|-------|
|      | A            | B  | C  | D | E  | TTL    | A                      | B      | C      | D     | E      | TTL    | btu      |        |        | W                 |       |       | A       |       |       | btu/W |
|      |              |    |    |   |    |        |                        |        |        |       |        |        | MIN      | Rated  | MAX    | MIN               | Rated | MAX   | MIN     | Rated | MAX   | Rated |
| 2    | 7            | 7  |    |   |    | 14     | 7,000                  | 7,000  |        |       |        | 14,000 | 9,000    | 14,000 | 21,000 | 650               | 1,140 | 1,500 | 3.10    | 5.10  | 6.70  | 12.28 |
|      | 7            | 9  |    |   |    | 16     | 7,000                  | 9,000  |        |       |        | 16,000 | 9,000    | 16,000 | 23,000 | 651               | 1,250 | 1,700 | 3.10    | 5.50  | 7.50  | 12.80 |
|      | 7            | 12 |    |   |    | 19     | 7,000                  | 12,000 |        |       |        | 19,000 | 9,000    | 19,000 | 26,000 | 652               | 1,460 | 2,100 | 3.10    | 6.50  | 9.30  | 13.01 |
|      | 7            | 15 |    |   |    | 22     | 7,000                  | 15,000 |        |       |        | 22,000 | 9,000    | 22,000 | 30,000 | 653               | 1,670 | 2,630 | 3.10    | 7.40  | 11.70 | 13.17 |
|      | 7            | 18 |    |   |    | 25     | 7,000                  | 18,000 |        |       |        | 25,000 | 9,000    | 25,000 | 30,000 | 654               | 1,800 | 2,630 | 3.10    | 8.00  | 11.70 | 13.89 |
|      | 9            | 9  |    |   |    | 18     | 9,000                  | 9,000  |        |       |        | 18,000 | 9,000    | 18,000 | 24,500 | 656               | 1,350 | 1,950 | 3.10    | 6.00  | 8.70  | 13.33 |
|      | 9            | 12 |    |   |    | 21     | 9,000                  | 12,000 |        |       |        | 21,000 | 9,000    | 21,000 | 28,000 | 657               | 1,560 | 2,400 | 3.10    | 6.90  | 10.60 | 13.46 |
|      | 9            | 15 |    |   |    | 24     | 9,000                  | 15,000 |        |       |        | 24,000 | 9,000    | 24,000 | 30,000 | 658               | 1,770 | 2,630 | 3.10    | 7.90  | 11.70 | 13.56 |
|      | 9            | 18 |    |   |    | 27     | 8,330                  | 16,670 |        |       |        | 25,000 | 9,000    | 25,000 | 33,000 | 659               | 1,950 | 2,740 | 3.20    | 8.70  | 12.20 | 12.82 |
|      | 12           | 12 |    |   |    | 24     | 12,000                 | 12,000 |        |       |        | 24,000 | 9,000    | 24,000 | 30,000 | 661               | 1,770 | 2,630 | 3.20    | 7.90  | 11.70 | 13.56 |
|      | 12           | 15 |    |   |    | 27     | 11,110                 | 13,890 |        |       |        | 25,000 | 9,000    | 25,000 | 33,000 | 662               | 1,950 | 2,740 | 3.20    | 8.70  | 12.20 | 12.82 |
|      | 12           | 18 |    |   |    | 30     | 10,000                 | 15,000 |        |       |        | 25,000 | 9,000    | 25,000 | 33,000 | 663               | 1,950 | 3,000 | 3.20    | 8.70  | 13.30 | 12.82 |
| 15   | 15           |    |    |   | 30 | 12,500 | 12,500                 |        |        |       | 25,000 | 9,000  | 25,000   | 33,000 | 665    | 1,950             | 3,000 | 3.20  | 8.70    | 13.30 | 12.82 |       |
| 3    | 7            | 7  | 7  |   |    | 21     | 7,000                  | 7,000  | 7,000  |       |        | 21,000 | 9,500    | 21,000 | 30,000 | 600               | 1,400 | 2,200 | 2.90    | 6.20  | 9.80  | 15.00 |
|      | 7            | 7  | 9  |   |    | 23     | 7,000                  | 7,000  | 9,000  |       |        | 23,000 | 9,500    | 23,000 | 32,000 | 600               | 1,560 | 2,540 | 2.90    | 6.90  | 11.30 | 14.74 |
|      | 7            | 7  | 12 |   |    | 26     | 6,730                  | 6,730  | 11,540 |       |        | 25,000 | 9,500    | 25,000 | 34,000 | 600               | 1,720 | 2,740 | 2.90    | 7.60  | 12.20 | 14.53 |
|      | 7            | 7  | 15 |   |    | 29     | 6,030                  | 6,030  | 12,940 |       |        | 25,000 | 9,500    | 25,000 | 34,000 | 600               | 1,720 | 2,740 | 2.90    | 7.60  | 12.20 | 14.53 |
|      | 7            | 7  | 18 |   |    | 32     | 5,470                  | 5,470  | 14,060 |       |        | 25,000 | 9,500    | 25,000 | 34,000 | 600               | 1,720 | 2,740 | 2.90    | 7.60  | 12.20 | 14.53 |
|      | 7            | 9  | 9  |   |    | 25     | 7,000                  | 9,000  | 9,000  |       |        | 25,000 | 9,500    | 25,000 | 34,000 | 600               | 1,720 | 2,740 | 2.90    | 7.60  | 12.20 | 14.55 |
|      | 7            | 9  | 12 |   |    | 28     | 6,250                  | 8,040  | 10,710 |       |        | 25,000 | 9,500    | 25,000 | 34,000 | 600               | 1,720 | 2,740 | 2.90    | 7.60  | 12.20 | 14.53 |
|      | 7            | 9  | 15 |   |    | 31     | 5,650                  | 7,250  | 12,100 |       |        | 25,000 | 9,500    | 25,000 | 34,000 | 600               | 1,720 | 2,740 | 2.90    | 7.60  | 12.20 | 14.53 |
|      | 7            | 12 | 12 |   |    | 31     | 5,640                  | 9,680  | 9,680  |       |        | 25,000 | 9,500    | 25,000 | 34,000 | 600               | 1,720 | 2,740 | 2.90    | 7.60  | 12.20 | 14.53 |
|      | 9            | 9  | 9  |   |    | 27     | 8,330                  | 8,330  | 8,340  |       |        | 25,000 | 9,500    | 25,000 | 34,000 | 600               | 1,720 | 2,740 | 2.90    | 7.60  | 12.20 | 14.53 |
|      | 9            | 9  | 12 |   |    | 30     | 7,500                  | 7,500  | 10,000 |       |        | 25,000 | 9,500    | 25,000 | 34,000 | 600               | 1,720 | 2,740 | 2.90    | 7.60  | 12.20 | 14.53 |
| 4    | 7            | 7  | 7  | 7 |    | 28     | 6,250                  | 6,250  | 6,250  | 6,250 |        | 25,000 | 9,500    | 25,000 | 36,000 | 599               | 1,720 | 3,000 | 2.90    | 7.60  | 13.30 | 14.55 |
|      | 7            | 7  | 7  | 9 |    | 30     | 5,830                  | 5,830  | 5,830  | 7,510 |        | 25,000 | 9,500    | 25,000 | 39,600 | 600               | 1,720 | 3,400 | 2.90    | 7.60  | 15.10 | 14.55 |
|      | 7            | 7  | 9  | 9 |    | 32     | 5,470                  | 5,470  | 7,030  | 7,030 |        | 25,000 | 9,500    | 25,000 | 39,600 | 600               | 1,720 | 3,400 | 2.90    | 7.60  | 15.10 | 14.55 |



# MULTI-ZONE SYSTEM COMBINATIONS

## MMLD024S6M-1P

### Heating (Non Ducted)

| Unit | Indoor Index |    |    |   |    |        | Heating Capacity (btu) |        |        |       |        |        | Capacity |        |        | Power Consumption |       |       | Current |       |       | COP   |
|------|--------------|----|----|---|----|--------|------------------------|--------|--------|-------|--------|--------|----------|--------|--------|-------------------|-------|-------|---------|-------|-------|-------|
|      | A            | B  | C  | D | E  | TTL    | A                      | B      | C      | D     | E      | TTL    | btu      |        |        | W                 |       |       | A       |       |       | W/W   |
|      |              |    |    |   |    |        |                        |        |        |       |        |        | MIN      | Rated  | MAX    | MIN               | Rated | MAX   | MIN     | Rated | MAX   | Rated |
| 2    | 7            | 7  |    |   |    | 14     | 7,500                  | 7,500  |        |       |        | 15,000 | 7,600    | 15,000 | 27,000 | 450               | 1,260 | 2,180 | 2.20    | 5.60  | 9.70  | 3.49  |
|      | 7            | 9  |    |   |    | 16     | 8,050                  | 10,350 |        |       |        | 18,400 | 7,600    | 18,400 | 30,000 | 450               | 1,530 | 2,420 | 2.20    | 6.80  | 10.70 | 3.52  |
|      | 7            | 12 |    |   |    | 19     | 8,030                  | 13,770 |        |       |        | 21,800 | 7,600    | 21,800 | 32,000 | 450               | 1,710 | 2,800 | 2.20    | 7.60  | 12.40 | 3.74  |
|      | 7            | 15 |    |   |    | 22     | 7,950                  | 17,050 |        |       |        | 25,000 | 7,600    | 25,000 | 32,000 | 450               | 1,880 | 2,800 | 2.20    | 8.30  | 12.40 | 3.90  |
|      | 7            | 18 |    |   |    | 25     | 7,000                  | 18,000 |        |       |        | 25,000 | 7,600    | 25,000 | 32,000 | 450               | 1,880 | 2,800 | 2.20    | 8.30  | 12.40 | 3.90  |
|      | 9            | 9  |    |   |    | 18     | 10,900                 | 10,900 |        |       |        | 21,800 | 7,600    | 21,800 | 32,000 | 450               | 1,710 | 2,650 | 2.20    | 7.60  | 11.80 | 3.74  |
|      | 9            | 12 |    |   |    | 21     | 10,670                 | 14,230 |        |       |        | 24,900 | 7,600    | 24,900 | 32,000 | 450               | 1,860 | 2,800 | 2.20    | 8.30  | 12.40 | 3.92  |
|      | 9            | 15 |    |   |    | 24     | 9,380                  | 15,620 |        |       |        | 25,000 | 7,600    | 25,000 | 32,000 | 450               | 1,880 | 2,800 | 2.20    | 8.30  | 12.40 | 3.90  |
|      | 9            | 18 |    |   |    | 27     | 8,330                  | 16,670 |        |       |        | 25,000 | 7,600    | 25,000 | 41,000 | 450               | 1,880 | 3,440 | 2.20    | 8.30  | 15.30 | 3.90  |
|      | 12           | 12 |    |   |    | 24     | 12,500                 | 12,500 |        |       |        | 25,000 | 7,600    | 25,000 | 32,000 | 450               | 1,880 | 2,800 | 2.20    | 8.30  | 12.40 | 3.90  |
|      | 12           | 15 |    |   |    | 27     | 11,110                 | 13,890 |        |       |        | 25,000 | 7,600    | 25,000 | 41,000 | 450               | 1,880 | 3,440 | 2.20    | 8.30  | 15.30 | 3.90  |
|      | 12           | 18 |    |   |    | 30     | 10,000                 | 15,000 |        |       |        | 25,000 | 7,600    | 25,000 | 41,000 | 450               | 1,880 | 3,440 | 2.20    | 8.30  | 15.30 | 3.90  |
| 15   | 15           |    |    |   | 30 | 12,500 | 12,500                 |        |        |       | 25,000 | 7,600  | 25,000   | 41,000 | 450    | 1,880             | 3,440 | 2.20  | 8.30    | 15.30 | 3.90  |       |
| 3    | 7            | 7  | 7  |   |    | 21     | 7,330                  | 7,330  | 7,340  |       |        | 22,000 | 7,600    | 22,000 | 32,000 | 450               | 1,390 | 2,400 | 2.20    | 6.20  | 10.60 | 4.64  |
|      | 7            | 7  | 9  |   |    | 23     | 7,610                  | 7,610  | 9,780  |       |        | 25,000 | 7,600    | 25,000 | 37,000 | 450               | 1,560 | 2,920 | 2.20    | 6.90  | 13.00 | 4.70  |
|      | 7            | 7  | 12 |   |    | 26     | 6,730                  | 6,730  | 11,540 |       |        | 25,000 | 7,600    | 25,000 | 42,000 | 450               | 1,560 | 3,440 | 2.20    | 6.90  | 15.30 | 4.70  |
|      | 7            | 7  | 15 |   |    | 29     | 6,030                  | 6,030  | 12,940 |       |        | 25,000 | 7,600    | 25,000 | 42,000 | 450               | 1,560 | 3,440 | 2.20    | 6.90  | 15.30 | 4.70  |
|      | 7            | 7  | 18 |   |    | 32     | 5,470                  | 5,470  | 14,060 |       |        | 25,000 | 7,600    | 25,000 | 42,000 | 450               | 1,560 | 3,440 | 2.20    | 6.90  | 15.30 | 4.70  |
|      | 7            | 9  | 9  |   |    | 25     | 7,000                  | 9,000  | 9,000  |       |        | 25,000 | 7,600    | 25,000 | 42,000 | 450               | 1,560 | 3,440 | 2.20    | 6.90  | 15.30 | 4.70  |
|      | 7            | 9  | 12 |   |    | 28     | 6,250                  | 8,040  | 10,710 |       |        | 25,000 | 7,600    | 25,000 | 42,000 | 450               | 1,560 | 3,440 | 2.20    | 6.90  | 15.30 | 4.70  |
|      | 7            | 9  | 15 |   |    | 31     | 5,650                  | 7,250  | 12,100 |       |        | 25,000 | 7,600    | 25,000 | 42,000 | 450               | 1,560 | 3,440 | 2.20    | 6.90  | 15.30 | 4.70  |
|      | 7            | 12 | 12 |   |    | 31     | 5,640                  | 9,680  | 9,680  |       |        | 25,000 | 7,600    | 25,000 | 42,000 | 450               | 1,560 | 3,440 | 2.20    | 6.90  | 15.30 | 4.70  |
|      | 9            | 9  | 9  |   |    | 27     | 8,330                  | 8,330  | 8,340  |       |        | 25,000 | 7,600    | 25,000 | 42,000 | 450               | 1,560 | 3,440 | 2.20    | 6.90  | 15.30 | 4.70  |
| 9    | 9            | 12 |    |   | 30 | 7,500  | 7,500                  | 10,000 |        |       | 25,000 | 7,600  | 25,000   | 42,000 | 450    | 1,560             | 3,440 | 2.20  | 6.90    | 15.30 | 4.70  |       |
| 4    | 7            | 7  | 7  | 7 |    | 28     | 6,250                  | 6,250  | 6,250  | 6,250 |        | 25,000 | 7,600    | 25,000 | 47,000 | 450               | 1,560 | 3,570 | 2.20    | 6.90  | 15.80 | 4.70  |
|      | 7            | 7  | 7  | 9 |    | 30     | 5,830                  | 5,830  | 5,830  | 7,510 |        | 25,000 | 7,600    | 25,000 | 50,800 | 450               | 1,560 | 4,090 | 2.20    | 6.90  | 18.10 | 4.70  |
|      | 7            | 7  | 9  | 9 |    | 32     | 5,470                  | 5,470  | 7,030  | 7,030 |        | 25,000 | 7,600    | 25,000 | 54,500 | 450               | 1,560 | 4,600 | 2.20    | 6.90  | 20.40 | 4.70  |

### NOTE

- Cooling capacity is based on 80°FDB(26.7°CDB) / 80°FDB(19.4°CWB) (indoor temperature), 95°FDB(35°CDB) (outdoor temperature).
- Heating capacity is based on 70°FDB(21.1°CDB) (indoor temperature), 47°FDB(8.33°CDB) / 43°FDB(6.11°CWB) (outdoor temperature).
- Capacities are based on the following conditions:  
- Corresponding refrigerant piping length : 24.6ft(7.5m) / - Level difference : 0m
- The total combination Index of connected a indoor unit is up to 32.
- At least two indoor units must be connected for operation.
- Also, Refer to the table for combinations that include non-duct and Medium Static Concealed Ducted indoor units.

# MULTI-ZONE SYSTEM COMBINATIONS

## MMLD030S6M-1P

### Cooling (Ducted)

| Unit | Indoor Index |    |    |    |    |        | Cooling Capacity (btu) |        |        |       |        |        | Capacity |        |        | Power Consumption |       |       | Current |       |       | EER   |
|------|--------------|----|----|----|----|--------|------------------------|--------|--------|-------|--------|--------|----------|--------|--------|-------------------|-------|-------|---------|-------|-------|-------|
|      | A            | B  | C  | D  | E  | TTL    | A                      | B      | C      | D     | E      | TTL    | btu      |        |        | W                 |       |       | A       |       |       | btu/W |
|      |              |    |    |    |    |        |                        |        |        |       |        |        | MIN      | Rated  | MAX    | MIN               | Rated | MAX   | MIN     | Rated | MAX   | Rated |
| 2    | 9            | 9  |    |    |    | 18     | 9,000                  | 9,000  |        |       |        | 18,000 | 9,000    | 18,000 | 24,000 | 656               | 1,350 | 2,000 | 3.10    | 6.00  | 8.90  | 13.33 |
|      | 9            | 12 |    |    |    | 21     | 9,000                  | 12,000 |        |       |        | 21,000 | 9,000    | 21,000 | 27,000 | 657               | 1,560 | 2,320 | 3.10    | 6.90  | 10.30 | 13.46 |
|      | 9            | 15 |    |    |    | 24     | 9,000                  | 15,000 |        |       |        | 24,000 | 9,000    | 24,000 | 30,000 | 658               | 1,870 | 2,740 | 3.10    | 8.30  | 12.20 | 12.83 |
|      | 9            | 18 |    |    |    | 27     | 8,330                  | 16,670 |        |       |        | 25,000 | 9,000    | 25,000 | 33,000 | 659               | 1,880 | 2,800 | 3.20    | 8.30  | 12.40 | 13.30 |
|      | 9            | 24 |    |    |    | 33     | 7,280                  | 19,420 |        |       |        | 26,700 | 9,000    | 26,700 | 36,000 | 658               | 2,100 | 3,140 | 3.10    | 9.30  | 13.90 | 12.71 |
|      | 12           | 12 |    |    |    | 24     | 12,000                 | 12,000 |        |       |        | 24,000 | 9,000    | 24,000 | 30,000 | 661               | 1,770 | 2,740 | 3.20    | 7.90  | 12.20 | 13.56 |
|      | 12           | 15 |    |    |    | 27     | 11,110                 | 13,890 |        |       |        | 25,000 | 9,000    | 25,000 | 33,000 | 658               | 1,880 | 2,800 | 3.10    | 8.30  | 12.40 | 13.30 |
|      | 12           | 18 |    |    |    | 30     | 10,000                 | 15,000 |        |       |        | 25,000 | 9,000    | 25,000 | 33,000 | 663               | 1,880 | 2,800 | 3.20    | 8.30  | 12.40 | 13.30 |
|      | 12           | 24 |    |    |    | 36     | 9,470                  | 18,930 |        |       |        | 28,400 | 9,000    | 28,400 | 38,500 | 658               | 2,300 | 3,470 | 3.10    | 10.20 | 15.40 | 12.35 |
|      | 15           | 15 |    |    |    | 30     | 12,500                 | 12,500 |        |       |        | 25,000 | 9,000    | 25,000 | 33,000 | 663               | 1,880 | 2,800 | 3.20    | 8.30  | 12.40 | 13.30 |
|      | 15           | 18 |    |    |    | 33     | 12,140                 | 14,560 |        |       |        | 26,700 | 9,000    | 26,700 | 36,000 | 658               | 2,100 | 3,140 | 3.10    | 9.30  | 13.90 | 12.71 |
| 18   | 18           |    |    |    | 36 | 14,200 | 14,200                 |        |        |       | 28,400 | 9,000  | 28,400   | 38,500 | 668    | 2,300             | 3,470 | 3.20  | 10.20   | 15.40 | 12.35 |       |
| 3    | 9            | 9  | 9  |    |    | 27     | 9,000                  | 9,000  | 9,000  |       |        | 27,000 | 9,500    | 27,000 | 34,000 | 600               | 2,000 | 2,900 | 2.90    | 8.90  | 12.90 | 13.50 |
|      | 9            | 9  | 12 |    |    | 30     | 8,520                  | 8,520  | 11,360 |       |        | 28,400 | 9,500    | 28,400 | 34,000 | 600               | 2,300 | 2,900 | 2.90    | 10.20 | 12.90 | 12.35 |
|      | 9            | 9  | 15 |    |    | 33     | 7,750                  | 7,750  | 12,900 |       |        | 28,400 | 9,500    | 28,400 | 37,000 | 600               | 2,300 | 3,240 | 2.90    | 10.20 | 14.40 | 12.35 |
|      | 9            | 9  | 18 |    |    | 36     | 7,100                  | 7,100  | 14,200 |       |        | 28,400 | 9,500    | 28,400 | 39,600 | 600               | 2,220 | 3,570 | 2.90    | 9.80  | 15.80 | 12.79 |
|      | 9            | 12 | 12 |    |    | 33     | 7,740                  | 10,330 | 10,330 |       |        | 28,400 | 9,500    | 28,400 | 37,000 | 600               | 2,300 | 3,240 | 2.90    | 10.20 | 14.40 | 12.35 |
|      | 9            | 12 | 15 |    |    | 36     | 7,100                  | 9,470  | 11,830 |       |        | 28,400 | 9,500    | 28,400 | 39,600 | 600               | 2,220 | 3,570 | 2.90    | 9.80  | 15.80 | 12.79 |
|      | 9            | 12 | 18 |    |    | 39     | 6,550                  | 8,740  | 13,110 |       |        | 28,400 | 9,500    | 28,400 | 39,600 | 600               | 2,220 | 3,570 | 2.90    | 9.80  | 15.80 | 12.79 |
|      | 12           | 12 | 12 |    |    | 36     | 9,470                  | 9,470  | 9,460  |       |        | 28,400 | 9,500    | 28,400 | 39,600 | 600               | 2,220 | 3,570 | 2.90    | 9.80  | 15.80 | 12.79 |
| 4    | 9            | 9  | 9  | 9  |    | 36     | 7,100                  | 7,100  | 7,100  | 7,100 |        | 28,400 | 9,500    | 28,400 | 39,600 | 600               | 2,180 | 3,570 | 2.90    | 9.70  | 15.80 | 13.00 |
|      | 9            | 9  | 9  | 12 |    | 39     | 6,550                  | 6,550  | 6,550  | 8,750 |        | 28,400 | 9,500    | 28,400 | 39,600 | 600               | 2,180 | 3,570 | 2.90    | 9.70  | 15.80 | 13.03 |

# MULTI-ZONE SYSTEM COMBINATIONS

## MMLD030S6M-1P

### Heating (Ducted)

| Unit | Indoor Index |    |    |    |    |        | Heating Capacity (btu) |        |        |       |        |        | Capacity |        |        | Power Consumption |       |       | Current |       |       | COP   |
|------|--------------|----|----|----|----|--------|------------------------|--------|--------|-------|--------|--------|----------|--------|--------|-------------------|-------|-------|---------|-------|-------|-------|
|      | A            | B  | C  | D  | E  | TTL    | A                      | B      | C      | D     | E      | TTL    | btu      |        |        | W                 |       |       | A       |       |       | W/W   |
|      |              |    |    |    |    |        |                        |        |        |       |        |        | MIN      | Rated  | MAX    | MIN               | Rated | MAX   | MIN     | Rated | MAX   | Rated |
| 2    | 9            | 9  |    |    |    | 18     | 10,900                 | 10,900 |        |       |        | 21,800 | 7,600    | 21,800 | 30,000 | 450               | 2,210 | 3,000 | 2.20    | 9.80  | 13.30 | 2.89  |
|      | 9            | 12 |    |    |    | 21     | 9,430                  | 12,570 |        |       |        | 22,000 | 7,600    | 22,000 | 34,000 | 450               | 2,230 | 3,220 | 2.20    | 9.90  | 14.30 | 2.89  |
|      | 9            | 15 |    |    |    | 24     | 9,380                  | 15,620 |        |       |        | 25,000 | 7,600    | 25,000 | 36,000 | 451               | 2,360 | 3,440 | 2.20    | 10.50 | 15.30 | 3.10  |
|      | 9            | 18 |    |    |    | 27     | 8,330                  | 16,670 |        |       |        | 25,000 | 7,600    | 25,000 | 37,000 | 450               | 2,360 | 3,560 | 2.20    | 10.50 | 15.80 | 3.10  |
|      | 9            | 24 |    |    |    | 33     | 7,310                  | 19,490 |        |       |        | 26,800 | 7,600    | 26,800 | 40,000 | 450               | 2,460 | 4,500 | 2.20    | 10.90 | 20.00 | 3.19  |
|      | 12           | 12 |    |    |    | 24     | 12,500                 | 12,500 |        |       |        | 25,000 | 7,600    | 25,000 | 36,000 | 450               | 2,360 | 3,440 | 2.20    | 10.50 | 15.30 | 3.10  |
|      | 12           | 15 |    |    |    | 27     | 11,110                 | 13,890 |        |       |        | 25,000 | 7,600    | 25,000 | 37,000 | 451               | 2,360 | 3,560 | 2.20    | 10.50 | 15.80 | 3.10  |
|      | 12           | 18 |    |    |    | 30     | 10,000                 | 15,000 |        |       |        | 25,000 | 7,600    | 25,000 | 37,000 | 450               | 2,360 | 3,560 | 2.20    | 10.50 | 15.80 | 3.10  |
|      | 12           | 24 |    |    |    | 36     | 9,530                  | 19,070 |        |       |        | 28,600 | 7,600    | 28,600 | 42,000 | 451               | 2,550 | 4,800 | 2.20    | 11.30 | 21.30 | 3.29  |
|      | 15           | 15 |    |    |    | 30     | 12,500                 | 12,500 |        |       |        | 25,000 | 7,600    | 25,000 | 37,000 | 450               | 2,360 | 3,560 | 2.20    | 10.50 | 15.80 | 3.10  |
|      | 15           | 18 |    |    |    | 33     | 12,180                 | 14,620 |        |       |        | 26,800 | 7,600    | 26,800 | 40,000 | 450               | 2,460 | 4,500 | 2.20    | 10.90 | 20.00 | 3.19  |
| 18   | 18           |    |    |    | 36 | 14,300 | 14,300                 |        |        |       | 28,600 | 7,600  | 28,600   | 42,000 | 450    | 2,550             | 4,800 | 2.20  | 11.30   | 21.30 | 3.29  |       |
| 3    | 9            | 9  | 9  |    |    | 27     | 9,530                  | 9,530  | 9,540  |       |        | 28,600 | 7,600    | 28,600 | 45,000 | 450               | 2,500 | 4,900 | 2.20    | 11.10 | 21.70 | 3.35  |
|      | 9            | 9  | 12 |    |    | 30     | 8,580                  | 8,580  | 11,440 |       |        | 28,600 | 7,600    | 28,600 | 45,000 | 450               | 2,500 | 4,900 | 2.20    | 11.10 | 21.70 | 3.35  |
|      | 9            | 9  | 15 |    |    | 33     | 7,800                  | 7,800  | 13,000 |       |        | 28,600 | 7,600    | 28,600 | 50,500 | 450               | 2,450 | 4,900 | 2.20    | 10.90 | 21.70 | 3.42  |
|      | 9            | 9  | 18 |    |    | 36     | 7,150                  | 7,150  | 14,300 |       |        | 28,600 | 7,600    | 28,600 | 53,500 | 450               | 2,370 | 4,900 | 2.20    | 10.50 | 21.70 | 3.54  |
|      | 9            | 12 | 12 |    |    | 33     | 7,800                  | 10,400 | 10,400 |       |        | 28,600 | 7,600    | 28,600 | 50,500 | 450               | 2,450 | 4,900 | 2.20    | 10.90 | 21.70 | 3.42  |
|      | 9            | 12 | 15 |    |    | 36     | 7,150                  | 9,530  | 11,920 |       |        | 28,600 | 7,600    | 28,600 | 53,500 | 450               | 2,370 | 4,900 | 2.20    | 10.50 | 21.70 | 3.54  |
|      | 9            | 12 | 18 |    |    | 39     | 6,600                  | 8,800  | 13,200 |       |        | 28,600 | 7,600    | 28,600 | 53,500 | 450               | 2,270 | 4,900 | 2.20    | 10.10 | 21.70 | 3.69  |
|      | 12           | 12 | 12 |    |    | 36     | 9,530                  | 9,530  | 9,540  |       |        | 28,600 | 7,600    | 28,600 | 53,500 | 450               | 2,270 | 4,900 | 2.20    | 10.10 | 21.70 | 3.69  |
| 4    | 9            | 9  | 9  | 9  |    | 36     | 7,150                  | 7,150  | 7,150  | 7,150 |        | 28,600 | 7,600    | 28,600 | 53,500 | 450               | 2,270 | 4,900 | 2.20    | 10.10 | 21.70 | 3.70  |
|      | 9            | 9  | 9  | 12 |    | 39     | 6,600                  | 6,600  | 6,600  | 8,800 |        | 28,600 | 7,600    | 28,600 | 53,500 | 450               | 2,270 | 4,900 | 2.20    | 10.10 | 21.70 | 3.69  |

### NOTE

1. Cooling capacity is based on 80°FDB(26.7°CDB) / 80°FDB(19.4°CWB) (indoor temperature), 95°FDB(35°CDB) (outdoor temperature).
2. Heating capacity is based on 70°FDB(21.1°CDB) (indoor temperature), 47°FDB(8.33°CDB) / 43°FDB(6.11°CWB) (outdoor temperature).
3. Capacities are based on the following conditions:  
- Corresponding refrigerant piping length : 24.6ft(7.5m) / - Level difference : 0m
4. The total combination Index of connected a indoor unit is up to 39.
5. At least two indoor units must be connected for operation.
6. If MDDD\*\*\*M6-1P or MMD\*\*\*M6-1P is included in the combination, the combination criteria noted must be followed.

# MULTI-ZONE SYSTEM COMBINATIONS

## MMLD030S6M-1P

### Cooling (Non Ducted)

| Unit | Indoor Index |    |    |   |    |        | Cooling Capacity (btu) |        |        |   |        |        | Capacity |        |        | Power Consumption |       |       | Current |       |       | EER   |
|------|--------------|----|----|---|----|--------|------------------------|--------|--------|---|--------|--------|----------|--------|--------|-------------------|-------|-------|---------|-------|-------|-------|
|      | A            | B  | C  | D | E  | TTL    | A                      | B      | C      | D | E      | TTL    | btu      |        |        | W                 |       |       | A       |       |       | btu/W |
|      |              |    |    |   |    |        |                        |        |        |   |        |        | MIN      | Rated  | MAX    | MIN               | Rated | MAX   | MIN     | Rated | MAX   |       |
| 2    | 7            | 7  |    |   |    | 14     | 7,000                  | 7,000  |        |   |        | 14,000 | 9,000    | 14,000 | 21,000 | 650               | 1,140 | 1,500 | 3.10    | 5.10  | 6.70  | 12.28 |
|      | 7            | 9  |    |   |    | 16     | 7,000                  | 9,000  |        |   |        | 16,000 | 9,000    | 16,000 | 23,000 | 651               | 1,250 | 1,700 | 3.10    | 5.50  | 7.50  | 12.80 |
|      | 7            | 12 |    |   |    | 19     | 7,000                  | 12,000 |        |   |        | 19,000 | 9,000    | 19,000 | 26,000 | 652               | 1,460 | 2,100 | 3.10    | 6.50  | 9.30  | 13.01 |
|      | 7            | 15 |    |   |    | 22     | 7,000                  | 15,000 |        |   |        | 22,000 | 9,000    | 22,000 | 30,000 | 653               | 1,670 | 2,630 | 3.10    | 7.40  | 11.70 | 13.17 |
|      | 7            | 18 |    |   |    | 25     | 7,000                  | 18,000 |        |   |        | 25,000 | 9,000    | 25,000 | 30,000 | 654               | 1,800 | 2,630 | 3.10    | 8.00  | 11.70 | 13.89 |
|      | 7            | 24 |    |   |    | 31     | 6,410                  | 21,990 |        |   |        | 28,400 | 9,000    | 28,400 | 33,000 | 655               | 2,360 | 3,100 | 3.10    | 10.50 | 13.80 | 12.03 |
|      | 9            | 9  |    |   |    | 18     | 9,000                  | 9,000  |        |   |        | 18,000 | 9,000    | 18,000 | 24,500 | 656               | 1,350 | 1,950 | 3.10    | 6.00  | 8.70  | 13.33 |
|      | 9            | 12 |    |   |    | 21     | 9,000                  | 12,000 |        |   |        | 21,000 | 9,000    | 21,000 | 28,000 | 657               | 1,560 | 2,400 | 3.10    | 6.90  | 10.60 | 13.46 |
|      | 9            | 15 |    |   |    | 24     | 9,000                  | 15,000 |        |   |        | 24,000 | 9,000    | 24,000 | 30,000 | 658               | 1,770 | 2,630 | 3.10    | 7.90  | 11.70 | 13.56 |
|      | 9            | 18 |    |   |    | 27     | 8,330                  | 16,670 |        |   |        | 25,000 | 9,000    | 25,000 | 33,000 | 659               | 1,950 | 2,740 | 3.20    | 8.70  | 12.20 | 12.82 |
|      | 9            | 24 |    |   |    | 33     | 7,750                  | 20,650 |        |   |        | 28,400 | 9,000    | 28,400 | 33,000 | 660               | 2,360 | 3,100 | 3.20    | 10.50 | 13.80 | 12.03 |
|      | 12           | 12 |    |   |    | 24     | 12,000                 | 12,000 |        |   |        | 24,000 | 9,000    | 24,000 | 30,000 | 661               | 1,770 | 2,630 | 3.20    | 7.90  | 11.70 | 13.56 |
|      | 12           | 15 |    |   |    | 27     | 11,110                 | 13,890 |        |   |        | 25,000 | 9,000    | 25,000 | 33,000 | 662               | 1,950 | 2,740 | 3.20    | 8.70  | 12.20 | 12.82 |
|      | 12           | 18 |    |   |    | 30     | 10,000                 | 15,000 |        |   |        | 25,000 | 9,000    | 25,000 | 33,000 | 663               | 1,950 | 3,000 | 3.20    | 8.70  | 13.30 | 12.82 |
|      | 12           | 24 |    |   |    | 36     | 9,470                  | 18,930 |        |   |        | 28,400 | 9,000    | 28,400 | 34,000 | 664               | 2,420 | 3,200 | 3.20    | 10.70 | 14.20 | 11.74 |
|      | 15           | 15 |    |   |    | 30     | 12,500                 | 12,500 |        |   |        | 25,000 | 9,000    | 25,000 | 33,000 | 665               | 1,950 | 3,000 | 3.20    | 8.70  | 13.30 | 12.82 |
|      | 15           | 18 |    |   |    | 33     | 12,910                 | 15,490 |        |   |        | 28,400 | 9,000    | 28,400 | 33,000 | 666               | 2,360 | 3,100 | 3.20    | 10.50 | 13.80 | 12.03 |
|      | 15           | 24 |    |   |    | 39     | 10,920                 | 17,480 |        |   |        | 28,400 | 9,000    | 28,400 | 34,000 | 667               | 2,420 | 3,200 | 3.20    | 10.70 | 14.20 | 11.74 |
| 18   | 18           |    |    |   | 36 | 14,200 | 14,200                 |        |        |   | 28,400 | 9,000  | 28,400   | 34,000 | 667    | 2,420             | 3,200 | 3.20  | 10.70   | 14.20 | 11.74 |       |
| 3    | 7            | 7  | 7  |   |    | 21     | 7,000                  | 7,000  | 7,000  |   |        | 21,000 | 9,500    | 21,000 | 30,000 | 600               | 1,400 | 2,200 | 2.90    | 6.20  | 9.80  | 15.00 |
|      | 7            | 7  | 9  |   |    | 23     | 7,000                  | 7,000  | 9,000  |   |        | 23,000 | 9,500    | 23,000 | 32,000 | 600               | 1,560 | 2,540 | 2.90    | 6.90  | 11.30 | 14.74 |
|      | 7            | 7  | 12 |   |    | 26     | 7,000                  | 7,000  | 12,000 |   |        | 26,000 | 9,500    | 26,000 | 34,000 | 600               | 1,850 | 2,740 | 2.90    | 8.20  | 12.20 | 14.05 |
|      | 7            | 7  | 15 |   |    | 29     | 6,860                  | 6,860  | 14,680 |   |        | 28,400 | 9,500    | 28,400 | 34,000 | 600               | 2,360 | 2,740 | 2.90    | 10.50 | 12.20 | 12.03 |
|      | 7            | 7  | 18 |   |    | 32     | 6,210                  | 6,210  | 15,980 |   |        | 28,400 | 9,500    | 28,400 | 34,000 | 600               | 2,360 | 2,740 | 2.90    | 10.50 | 12.20 | 12.03 |
|      | 7            | 7  | 24 |   |    | 38     | 5,230                  | 5,230  | 17,940 |   |        | 28,400 | 9,500    | 28,400 | 36,000 | 600               | 2,420 | 3,400 | 2.90    | 10.70 | 15.10 | 11.74 |
|      | 7            | 9  | 9  |   |    | 25     | 7,000                  | 9,000  | 9,000  |   |        | 25,000 | 9,500    | 25,000 | 34,000 | 600               | 1,720 | 2,740 | 2.90    | 7.60  | 12.20 | 14.55 |
|      | 7            | 9  | 12 |   |    | 28     | 7,000                  | 9,000  | 12,000 |   |        | 28,000 | 9,500    | 28,000 | 34,000 | 600               | 2,240 | 2,740 | 2.90    | 9.90  | 12.20 | 12.50 |
|      | 7            | 9  | 15 |   |    | 31     | 6,410                  | 8,250  | 13,740 |   |        | 28,400 | 9,500    | 28,400 | 34,000 | 600               | 2,360 | 2,740 | 2.90    | 10.50 | 12.20 | 12.03 |
|      | 7            | 9  | 18 |   |    | 34     | 5,850                  | 7,520  | 15,030 |   |        | 28,400 | 9,500    | 28,400 | 35,000 | 600               | 2,360 | 3,100 | 2.90    | 10.50 | 13.80 | 12.03 |
|      | 7            | 9  | 24 |   |    | 40     | 4,970                  | 6,390  | 17,040 |   |        | 28,400 | 9,500    | 28,400 | 39,600 | 600               | 2,350 | 3,400 | 2.90    | 10.40 | 15.10 | 12.09 |
|      | 7            | 12 | 12 |   |    | 31     | 6,420                  | 10,990 | 10,990 |   |        | 28,400 | 9,500    | 28,400 | 34,000 | 600               | 2,360 | 2,740 | 2.90    | 10.50 | 12.20 | 12.03 |
|      | 7            | 12 | 15 |   |    | 34     | 5,850                  | 10,020 | 12,530 |   |        | 28,400 | 9,500    | 28,400 | 35,000 | 600               | 2,360 | 3,100 | 2.90    | 10.50 | 13.80 | 12.03 |
|      | 7            | 12 | 18 |   |    | 37     | 5,370                  | 9,210  | 13,820 |   |        | 28,400 | 9,500    | 28,400 | 36,000 | 600               | 2,420 | 3,400 | 2.90    | 10.70 | 15.10 | 11.74 |
|      | 7            | 15 | 15 |   |    | 37     | 5,380                  | 11,510 | 11,510 |   |        | 28,400 | 9,500    | 28,400 | 36,000 | 600               | 2,420 | 3,400 | 2.90    | 10.70 | 15.10 | 11.74 |
|      | 7            | 15 | 18 |   |    | 40     | 4,970                  | 10,650 | 12,780 |   |        | 28,400 | 9,500    | 28,400 | 39,600 | 600               | 2,350 | 3,400 | 2.90    | 10.40 | 15.10 | 12.09 |
|      | 9            | 9  | 9  |   |    | 27     | 9,000                  | 9,000  | 9,000  |   |        | 27,000 | 9,500    | 27,000 | 34,000 | 600               | 1,960 | 2,740 | 2.90    | 8.70  | 12.20 | 13.78 |
|      | 9            | 9  | 12 |   |    | 30     | 8,520                  | 8,520  | 11,360 |   |        | 28,400 | 9,500    | 28,400 | 34,000 | 600               | 2,360 | 2,740 | 2.90    | 10.50 | 12.20 | 12.03 |
|      | 9            | 9  | 15 |   |    | 33     | 7,750                  | 7,750  | 12,900 |   |        | 28,400 | 9,500    | 28,400 | 35,000 | 600               | 2,360 | 3,100 | 2.90    | 10.50 | 13.80 | 12.03 |
|      | 9            | 9  | 18 |   |    | 36     | 7,100                  | 7,100  | 14,200 |   |        | 28,400 | 9,500    | 28,400 | 36,000 | 600               | 2,420 | 3,400 | 2.90    | 10.70 | 15.10 | 11.74 |
|      | 9            | 12 | 12 |   |    | 33     | 7,740                  | 10,330 | 10,330 |   |        | 28,400 | 9,500    | 28,400 | 35,000 | 600               | 2,360 | 3,100 | 2.90    | 10.50 | 13.80 | 12.03 |
|      | 9            | 12 | 15 |   |    | 36     | 7,100                  | 9,470  | 11,830 |   |        | 28,400 | 9,500    | 28,400 | 36,000 | 600               | 2,420 | 3,400 | 2.90    | 10.70 | 15.10 | 11.74 |
|      | 9            | 12 | 18 |   |    | 39     | 6,550                  | 8,740  | 13,110 |   |        | 28,400 | 9,500    | 28,400 | 39,600 | 600               | 2,350 | 3,400 | 2.90    | 10.40 | 15.10 | 12.09 |
|      | 9            | 15 | 15 |   |    | 39     | 6,560                  | 10,920 | 10,920 |   |        | 28,400 | 9,500    | 28,400 | 39,600 | 600               | 2,350 | 3,400 | 2.90    | 10.40 | 15.10 | 12.09 |
|      | 12           | 12 | 12 |   |    | 36     | 9,470                  | 9,470  | 9,460  |   |        | 28,400 | 9,500    | 28,400 | 36,000 | 600               | 2,420 | 3,400 | 2.90    | 10.70 | 15.10 | 11.74 |
|      | 12           | 12 | 15 |   |    | 39     | 8,740                  | 8,740  | 10,920 |   |        | 28,400 | 9,500    | 28,400 | 39,600 | 600               | 2,350 | 3,400 | 2.90    | 10.40 | 15.10 | 12.09 |

# MULTI-ZONE SYSTEM COMBINATIONS

## MMLD030S6M-1P

| Unit | Indoor Index |   |    |    |    |       | Cooling Capacity (btu) |       |       |        |        |        | Capacity |        |        | Power Consumption |       |       | Current |       |       | EER   |
|------|--------------|---|----|----|----|-------|------------------------|-------|-------|--------|--------|--------|----------|--------|--------|-------------------|-------|-------|---------|-------|-------|-------|
|      | A            | B | C  | D  | E  | TTL   | A                      | B     | C     | D      | E      | TTL    | btu      |        |        | W                 |       |       | A       |       |       | btu/W |
|      |              |   |    |    |    |       |                        |       |       |        |        |        | MIN      | Rated  | MAX    | MIN               | Rated | MAX   | MIN     | Rated | MAX   | Rated |
| 4    | 7            | 7 | 7  | 7  |    | 28    | 7,000                  | 7,000 | 7,000 | 7,000  |        | 28,000 | 9,500    | 28,000 | 36,000 | 599               | 2,330 | 3,000 | 2.90    | 10.30 | 13.30 | 12.02 |
|      | 7            | 7 | 7  | 9  |    | 30    | 6,630                  | 6,630 | 6,630 | 8,510  |        | 28,400 | 9,500    | 28,400 | 39,600 | 600               | 2,270 | 3,400 | 2.90    | 10.10 | 15.10 | 12.51 |
|      | 7            | 7 | 7  | 12 |    | 33    | 6,020                  | 6,020 | 6,020 | 10,340 |        | 28,400 | 9,500    | 28,400 | 39,600 | 600               | 2,100 | 3,400 | 2.90    | 9.30  | 15.10 | 13.52 |
|      | 7            | 7 | 7  | 15 |    | 36    | 5,520                  | 5,520 | 5,520 | 11,840 |        | 28,400 | 9,500    | 28,400 | 42,000 | 600               | 2,100 | 3,500 | 2.90    | 9.30  | 15.50 | 13.52 |
|      | 7            | 7 | 7  | 18 |    | 39    | 5,100                  | 5,100 | 5,100 | 13,100 |        | 28,400 | 9,500    | 28,400 | 42,000 | 600               | 2,100 | 3,500 | 2.90    | 9.30  | 15.50 | 13.52 |
|      | 7            | 7 | 9  | 9  |    | 32    | 6,210                  | 6,210 | 7,990 | 7,990  |        | 28,400 | 9,500    | 28,400 | 39,600 | 600               | 2,100 | 3,400 | 2.90    | 9.30  | 15.10 | 13.50 |
|      | 7            | 7 | 9  | 12 |    | 35    | 5,680                  | 5,680 | 7,300 | 9,740  |        | 28,400 | 9,500    | 28,400 | 42,000 | 600               | 2,100 | 3,500 | 2.90    | 9.30  | 15.50 | 13.52 |
|      | 7            | 7 | 9  | 15 |    | 38    | 5,230                  | 5,230 | 6,730 | 11,210 |        | 28,400 | 9,500    | 28,400 | 42,000 | 600               | 2,100 | 3,500 | 2.90    | 9.30  | 15.50 | 13.52 |
|      | 7            | 7 | 12 | 12 |    | 38    | 5,230                  | 5,230 | 8,970 | 8,970  |        | 28,400 | 9,500    | 28,400 | 42,000 | 600               | 2,100 | 3,500 | 2.90    | 9.30  | 15.50 | 13.52 |
|      | 7            | 9 | 9  | 9  |    | 34    | 5,840                  | 7,520 | 7,520 | 7,520  |        | 28,400 | 9,500    | 28,400 | 42,000 | 600               | 2,100 | 3,500 | 2.90    | 9.30  | 15.50 | 13.52 |
|      | 7            | 9 | 9  | 12 |    | 37    | 5,370                  | 6,910 | 6,910 | 9,210  |        | 28,400 | 9,500    | 28,400 | 42,000 | 600               | 2,100 | 3,500 | 2.90    | 9.30  | 15.50 | 13.52 |
|      | 7            | 9 | 9  | 15 |    | 40    | 4,970                  | 6,390 | 6,390 | 10,650 |        | 28,400 | 9,500    | 28,400 | 42,000 | 600               | 2,100 | 3,500 | 2.90    | 9.30  | 15.50 | 13.52 |
|      | 7            | 9 | 12 | 12 |    | 40    | 4,970                  | 6,390 | 8,520 | 8,520  |        | 28,400 | 9,500    | 28,400 | 42,000 | 600               | 2,100 | 3,500 | 2.90    | 9.30  | 15.50 | 13.52 |
|      | 9            | 9 | 9  | 9  |    | 36    | 7,100                  | 7,100 | 7,100 | 7,100  |        | 28,400 | 9,500    | 28,400 | 42,000 | 600               | 2,100 | 3,500 | 2.90    | 9.30  | 15.50 | 13.50 |
| 9    | 9            | 9 | 12 |    | 39 | 6,550 | 6,550                  | 6,550 | 8,750 |        | 28,400 | 9,500  | 28,400   | 42,000 | 600    | 2,100             | 3,500 | 2.90  | 9.30    | 15.50 | 13.50 |       |



# MULTI-ZONE SYSTEM COMBINATIONS

## MMLD030S6M-1P

### Heating (Non Ducted)

| Unit | Indoor Index |    |    |   |    |        | Heating Capacity (btu) |        |        |   |        |        | Capacity |        |        | Power Consumption |       |       | Current |       |       | COP   |
|------|--------------|----|----|---|----|--------|------------------------|--------|--------|---|--------|--------|----------|--------|--------|-------------------|-------|-------|---------|-------|-------|-------|
|      | A            | B  | C  | D | E  | TTL    | A                      | B      | C      | D | E      | TTL    | btu      |        |        | W                 |       |       | A       |       |       | W/W   |
|      |              |    |    |   |    |        |                        |        |        |   |        |        | MIN      | Rated  | MAX    | MIN               | Rated | MAX   | MIN     | Rated | MAX   | Rated |
| 2    | 7            | 7  |    |   |    | 14     | 7,500                  | 7,500  |        |   |        | 15,000 | 7,600    | 15,000 | 27,000 | 450               | 1,260 | 2,180 | 2.20    | 5.60  | 9.70  | 3.49  |
|      | 7            | 9  |    |   |    | 16     | 8,050                  | 10,350 |        |   |        | 18,400 | 7,600    | 18,400 | 30,000 | 450               | 1,530 | 2,420 | 2.20    | 6.80  | 10.70 | 3.52  |
|      | 7            | 12 |    |   |    | 19     | 8,030                  | 13,770 |        |   |        | 21,800 | 7,600    | 21,800 | 32,000 | 450               | 1,710 | 2,800 | 2.20    | 7.60  | 12.40 | 3.74  |
|      | 7            | 15 |    |   |    | 22     | 7,950                  | 17,050 |        |   |        | 25,000 | 7,600    | 25,000 | 32,000 | 450               | 1,880 | 2,800 | 2.20    | 8.30  | 12.40 | 3.90  |
|      | 7            | 18 |    |   |    | 25     | 7,000                  | 18,000 |        |   |        | 25,000 | 7,600    | 25,000 | 32,000 | 450               | 1,880 | 2,800 | 2.20    | 8.30  | 12.40 | 3.90  |
|      | 7            | 24 |    |   |    | 31     | 6,460                  | 22,140 |        |   |        | 28,600 | 7,600    | 28,600 | 41,000 | 450               | 2,260 | 3,440 | 2.20    | 10.00 | 15.30 | 3.71  |
|      | 9            | 9  |    |   |    | 18     | 10,900                 | 10,900 |        |   |        | 21,800 | 7,600    | 21,800 | 32,000 | 450               | 1,710 | 2,650 | 2.20    | 7.60  | 11.80 | 3.74  |
|      | 9            | 12 |    |   |    | 21     | 10,670                 | 14,230 |        |   |        | 24,900 | 7,600    | 24,900 | 32,000 | 450               | 1,860 | 2,800 | 2.20    | 8.30  | 12.40 | 3.92  |
|      | 9            | 15 |    |   |    | 24     | 9,380                  | 15,620 |        |   |        | 25,000 | 7,600    | 25,000 | 32,000 | 450               | 1,880 | 2,800 | 2.20    | 8.30  | 12.40 | 3.90  |
|      | 9            | 18 |    |   |    | 27     | 8,330                  | 16,670 |        |   |        | 25,000 | 7,600    | 25,000 | 41,000 | 450               | 1,880 | 3,440 | 2.20    | 8.30  | 15.30 | 3.90  |
|      | 9            | 24 |    |   |    | 33     | 7,800                  | 20,800 |        |   |        | 28,600 | 7,600    | 28,600 | 41,000 | 450               | 2,260 | 3,440 | 2.20    | 10.00 | 15.30 | 3.71  |
|      | 12           | 12 |    |   |    | 24     | 12,500                 | 12,500 |        |   |        | 25,000 | 7,600    | 25,000 | 32,000 | 450               | 1,880 | 2,800 | 2.20    | 8.30  | 12.40 | 3.90  |
|      | 12           | 15 |    |   |    | 27     | 11,110                 | 13,890 |        |   |        | 25,000 | 7,600    | 25,000 | 41,000 | 450               | 1,880 | 3,440 | 2.20    | 8.30  | 15.30 | 3.90  |
|      | 12           | 18 |    |   |    | 30     | 10,000                 | 15,000 |        |   |        | 25,000 | 7,600    | 25,000 | 41,000 | 450               | 1,880 | 3,440 | 2.20    | 8.30  | 15.30 | 3.90  |
|      | 12           | 24 |    |   |    | 36     | 9,530                  | 19,070 |        |   |        | 28,600 | 7,600    | 28,600 | 42,000 | 450               | 2,260 | 3,440 | 2.20    | 10.00 | 15.30 | 3.71  |
|      | 15           | 15 |    |   |    | 30     | 12,500                 | 12,500 |        |   |        | 25,000 | 7,600    | 25,000 | 41,000 | 450               | 1,880 | 3,440 | 2.20    | 8.30  | 15.30 | 3.90  |
|      | 15           | 18 |    |   |    | 33     | 13,000                 | 15,600 |        |   |        | 28,600 | 7,600    | 28,600 | 41,000 | 450               | 2,260 | 3,440 | 2.20    | 10.00 | 15.30 | 3.71  |
|      | 15           | 24 |    |   |    | 39     | 11,000                 | 17,600 |        |   |        | 28,600 | 7,600    | 28,600 | 42,000 | 450               | 2,260 | 3,440 | 2.20    | 10.00 | 15.30 | 3.71  |
| 18   | 18           |    |    |   | 36 | 14,300 | 14,300                 |        |        |   | 28,600 | 7,600  | 28,600   | 42,000 | 450    | 2,260             | 3,440 | 2.20  | 10.00   | 15.30 | 3.71  |       |
| 3    | 7            | 7  | 7  |   |    | 21     | 7,330                  | 7,330  | 7,340  |   |        | 22,000 | 7,600    | 22,000 | 32,000 | 450               | 1,390 | 2,400 | 2.20    | 6.20  | 10.60 | 4.64  |
|      | 7            | 7  | 9  |   |    | 23     | 7,610                  | 7,610  | 9,780  |   |        | 25,000 | 7,600    | 25,000 | 37,000 | 450               | 1,560 | 2,920 | 2.20    | 6.90  | 13.00 | 4.70  |
|      | 7            | 7  | 12 |   |    | 26     | 7,270                  | 7,270  | 12,460 |   |        | 27,000 | 7,600    | 27,000 | 42,000 | 450               | 1,800 | 3,440 | 2.20    | 8.00  | 15.30 | 4.40  |
|      | 7            | 7  | 15 |   |    | 29     | 6,900                  | 6,900  | 14,800 |   |        | 28,600 | 7,600    | 28,600 | 42,000 | 450               | 2,200 | 3,440 | 2.20    | 9.80  | 15.30 | 3.81  |
|      | 7            | 7  | 18 |   |    | 32     | 6,260                  | 6,260  | 16,080 |   |        | 28,600 | 7,600    | 28,600 | 42,000 | 450               | 2,200 | 3,440 | 2.20    | 9.80  | 15.30 | 3.81  |
|      | 7            | 7  | 24 |   |    | 38     | 5,270                  | 5,270  | 18,060 |   |        | 28,600 | 7,600    | 28,600 | 47,000 | 450               | 2,330 | 4,500 | 2.20    | 10.30 | 20.00 | 3.60  |
|      | 7            | 9  | 9  |   |    | 25     | 7,000                  | 9,000  | 9,000  |   |        | 25,000 | 7,600    | 25,000 | 42,000 | 450               | 1,560 | 3,440 | 2.20    | 6.90  | 15.30 | 4.70  |
|      | 7            | 9  | 12 |   |    | 28     | 7,150                  | 9,190  | 12,260 |   |        | 28,600 | 7,600    | 28,600 | 42,000 | 450               | 2,200 | 3,440 | 2.20    | 9.80  | 15.30 | 3.81  |
|      | 7            | 9  | 15 |   |    | 31     | 6,460                  | 8,300  | 13,840 |   |        | 28,600 | 7,600    | 28,600 | 42,000 | 450               | 2,200 | 3,440 | 2.20    | 9.80  | 15.30 | 3.81  |
|      | 7            | 9  | 18 |   |    | 34     | 5,890                  | 7,570  | 15,140 |   |        | 28,600 | 7,600    | 28,600 | 42,000 | 450               | 2,260 | 3,440 | 2.20    | 10.00 | 15.30 | 3.71  |
|      | 7            | 9  | 24 |   |    | 40     | 5,010                  | 6,440  | 17,150 |   |        | 28,600 | 7,600    | 28,600 | 50,800 | 450               | 2,230 | 4,600 | 2.20    | 9.90  | 20.40 | 3.76  |
|      | 7            | 12 | 12 |   |    | 31     | 6,460                  | 11,070 | 11,070 |   |        | 28,600 | 7,600    | 28,600 | 42,000 | 450               | 2,200 | 3,440 | 2.20    | 9.80  | 15.30 | 3.81  |
|      | 7            | 12 | 15 |   |    | 34     | 5,890                  | 10,090 | 12,620 |   |        | 28,600 | 7,600    | 28,600 | 42,000 | 450               | 2,260 | 3,440 | 2.20    | 10.00 | 15.30 | 3.71  |
|      | 7            | 12 | 18 |   |    | 37     | 5,410                  | 9,280  | 13,910 |   |        | 28,600 | 7,600    | 28,600 | 47,000 | 450               | 2,330 | 4,500 | 2.20    | 10.30 | 20.00 | 3.60  |
|      | 7            | 15 | 15 |   |    | 37     | 5,420                  | 11,590 | 11,590 |   |        | 28,600 | 7,600    | 28,600 | 47,000 | 450               | 2,330 | 4,500 | 2.20    | 10.30 | 20.00 | 3.60  |
|      | 7            | 15 | 18 |   |    | 40     | 5,010                  | 10,730 | 12,860 |   |        | 28,600 | 7,600    | 28,600 | 50,800 | 450               | 2,230 | 4,600 | 2.20    | 9.90  | 20.40 | 3.76  |
|      | 9            | 9  | 9  |   |    | 27     | 9,330                  | 9,330  | 9,340  |   |        | 28,000 | 7,600    | 28,000 | 42,000 | 450               | 2,000 | 3,440 | 2.20    | 8.90  | 15.30 | 4.10  |
|      | 9            | 9  | 12 |   |    | 30     | 8,580                  | 8,580  | 11,440 |   |        | 28,600 | 7,600    | 28,600 | 42,000 | 450               | 2,200 | 3,440 | 2.20    | 9.80  | 15.30 | 3.81  |
|      | 9            | 9  | 15 |   |    | 33     | 7,800                  | 7,800  | 13,000 |   |        | 28,600 | 7,600    | 28,600 | 42,000 | 450               | 2,260 | 3,440 | 2.20    | 10.00 | 15.30 | 3.71  |
|      | 9            | 9  | 18 |   |    | 36     | 7,150                  | 7,150  | 14,300 |   |        | 28,600 | 7,600    | 28,600 | 47,000 | 450               | 2,330 | 4,500 | 2.20    | 10.30 | 20.00 | 3.60  |
|      | 9            | 12 | 12 |   |    | 33     | 7,800                  | 10,400 | 10,400 |   |        | 28,600 | 7,600    | 28,600 | 42,000 | 450               | 2,260 | 3,440 | 2.20    | 10.00 | 15.30 | 3.71  |
|      | 9            | 12 | 15 |   |    | 36     | 7,150                  | 9,530  | 11,920 |   |        | 28,600 | 7,600    | 28,600 | 47,000 | 450               | 2,330 | 4,500 | 2.20    | 10.30 | 20.00 | 3.60  |
|      | 9            | 12 | 18 |   |    | 39     | 6,600                  | 8,800  | 13,200 |   |        | 28,600 | 7,600    | 28,600 | 50,800 | 450               | 2,230 | 4,600 | 2.20    | 9.90  | 20.40 | 3.76  |
|      | 9            | 15 | 15 |   |    | 39     | 6,600                  | 11,000 | 11,000 |   |        | 28,600 | 7,600    | 28,600 | 50,800 | 450               | 2,230 | 4,600 | 2.20    | 9.90  | 20.40 | 3.76  |
| 12   | 12           | 12 |    |   | 36 | 9,530  | 9,530                  | 9,540  |        |   | 28,600 | 7,600  | 28,600   | 47,000 | 450    | 2,330             | 4,500 | 2.20  | 10.30   | 20.00 | 3.60  |       |
| 12   | 12           | 15 |    |   | 39 | 8,800  | 8,800                  | 11,000 |        |   | 28,600 | 7,600  | 28,600   | 50,800 | 450    | 2,230             | 4,600 | 2.20  | 9.90    | 20.40 | 3.76  |       |

# MULTI-ZONE SYSTEM COMBINATIONS

## MMLD030S6M-1P

| Unit | Indoor Index |   |    |    |    |       | Heating Capacity (btu) |       |       |        |        |        | Capacity |        |        | Power Consumption |       |       | Current |       |       | COP   |
|------|--------------|---|----|----|----|-------|------------------------|-------|-------|--------|--------|--------|----------|--------|--------|-------------------|-------|-------|---------|-------|-------|-------|
|      | A            | B | C  | D  | E  | TTL   | A                      | B     | C     | D      | E      | TTL    | btu      |        |        | W                 |       |       | A       |       |       | W/W   |
|      |              |   |    |    |    |       |                        |       |       |        |        |        | MIN      | Rated  | MAX    | MIN               | Rated | MAX   | MIN     | Rated | MAX   | Rated |
| 4    | 7            | 7 | 7  | 7  |    | 28    | 7,150                  | 7,150 | 7,150 | 7,150  |        | 28,600 | 7,600    | 28,600 | 47,000 | 450               | 2,100 | 3,570 | 2.20    | 9.30  | 15.80 | 3.99  |
|      | 7            | 7 | 7  | 9  |    | 30    | 6,670                  | 6,670 | 6,670 | 8,590  |        | 28,600 | 7,600    | 28,600 | 50,800 | 450               | 2,100 | 4,090 | 2.20    | 9.30  | 18.10 | 3.99  |
|      | 7            | 7 | 7  | 12 |    | 33    | 6,070                  | 6,070 | 6,070 | 10,390 |        | 28,600 | 7,600    | 28,600 | 54,500 | 450               | 2,100 | 4,600 | 2.20    | 9.30  | 20.40 | 3.99  |
|      | 7            | 7 | 7  | 15 |    | 36    | 5,560                  | 5,560 | 5,560 | 11,920 |        | 28,600 | 7,600    | 28,600 | 54,500 | 450               | 2,100 | 4,600 | 2.20    | 9.30  | 20.40 | 3.99  |
|      | 7            | 7 | 7  | 18 |    | 39    | 5,130                  | 5,130 | 5,130 | 13,210 |        | 28,600 | 7,600    | 28,600 | 54,500 | 450               | 2,100 | 4,600 | 2.20    | 9.30  | 20.40 | 3.99  |
|      | 7            | 7 | 9  | 9  |    | 32    | 6,260                  | 6,260 | 8,040 | 8,040  |        | 28,600 | 7,600    | 28,600 | 54,500 | 450               | 2,100 | 4,600 | 2.20    | 9.30  | 20.40 | 4.00  |
|      | 7            | 7 | 9  | 12 |    | 35    | 5,720                  | 5,720 | 7,350 | 9,810  |        | 28,600 | 7,600    | 28,600 | 54,500 | 450               | 2,100 | 4,600 | 2.20    | 9.30  | 20.40 | 3.99  |
|      | 7            | 7 | 9  | 15 |    | 38    | 5,270                  | 5,270 | 6,770 | 11,290 |        | 28,600 | 7,600    | 28,600 | 54,500 | 450               | 2,100 | 4,600 | 2.20    | 9.30  | 20.40 | 3.99  |
|      | 7            | 7 | 12 | 12 |    | 38    | 5,270                  | 5,270 | 9,030 | 9,030  |        | 28,600 | 7,600    | 28,600 | 54,500 | 450               | 2,100 | 4,600 | 2.20    | 9.30  | 20.40 | 3.99  |
|      | 7            | 9 | 9  | 9  |    | 34    | 5,890                  | 7,570 | 7,570 | 7,570  |        | 28,600 | 7,600    | 28,600 | 54,500 | 450               | 2,100 | 4,600 | 2.20    | 9.30  | 20.40 | 3.99  |
|      | 7            | 9 | 9  | 12 |    | 37    | 5,410                  | 6,960 | 6,960 | 9,270  |        | 28,600 | 7,600    | 28,600 | 54,500 | 450               | 2,100 | 4,600 | 2.20    | 9.30  | 20.40 | 3.99  |
|      | 7            | 9 | 9  | 15 |    | 40    | 5,010                  | 6,440 | 6,440 | 10,710 |        | 28,600 | 7,600    | 28,600 | 54,500 | 450               | 2,100 | 4,600 | 2.20    | 9.30  | 20.40 | 3.99  |
|      | 7            | 9 | 12 | 12 |    | 40    | 5,000                  | 6,440 | 8,580 | 8,580  |        | 28,600 | 7,600    | 28,600 | 54,500 | 450               | 2,100 | 4,600 | 2.20    | 9.30  | 20.40 | 3.99  |
|      | 9            | 9 | 9  | 9  |    | 36    | 7,150                  | 7,150 | 7,150 | 7,150  |        | 28,600 | 7,600    | 28,600 | 54,500 | 450               | 2,100 | 4,600 | 2.20    | 9.30  | 20.40 | 4.00  |
| 9    | 9            | 9 | 12 |    | 39 | 6,600 | 6,600                  | 6,600 | 8,800 |        | 28,600 | 7,600  | 28,600   | 54,500 | 450    | 2,100             | 4,600 | 2.20  | 9.30    | 20.40 | 4.00  |       |

### NOTE

1. Cooling capacity is based on 80°FDB(26.7°CDB) / 80°FDB(19.4°CWB) (indoor temperature), 95°FDB(35°CDB) (outdoor temperature).
2. Heating capacity is based on 70°FDB(21.1°CDB) (indoor temperature), 47°FDB(8.33°CDB) / 43°FDB(6.11°CWB) (outdoor temperature).
3. Capacities are based on the following conditions:  
- Corresponding refrigerant piping length : 24.6ft(7.5m) / - Level difference : 0m
4. The total combination Index of connected a indoor unit is up to 40.
5. At least two indoor units must be connected for operation.
6. Also, Refer to the table for combinations that include non-duct and Medium Static Concealed Ducted indoor units.

# MULTI-ZONE SYSTEM COMBINATIONS

## MMLD036S6M-1P

### Cooling (Ducted)

| Unit | Indoor Index |    |    |    |    |        | Cooling Capacity (btu) |        |        |        |        |        | Capacity |        |        | Power Consumption |       |       | Current |       |       | EER   |
|------|--------------|----|----|----|----|--------|------------------------|--------|--------|--------|--------|--------|----------|--------|--------|-------------------|-------|-------|---------|-------|-------|-------|
|      | A            | B  | C  | D  | E  | TTL    | A                      | B      | C      | D      | E      | TTL    | btu      |        |        | W                 |       |       | A       |       |       | btu/W |
|      |              |    |    |    |    |        |                        |        |        |        |        |        | MIN      | Rated  | MAX    | MIN               | Rated | MAX   | MIN     | Rated | MAX   | Rated |
| 2    | 9            | 9  |    |    |    | 18     | 9,000                  | 9,000  |        |        |        | 18,000 | 9,000    | 18,000 | 24,000 | 656               | 1,350 | 2,000 | 3.10    | 6.00  | 8.90  | 13.33 |
|      | 9            | 12 |    |    |    | 21     | 9,000                  | 12,000 |        |        |        | 21,000 | 9,000    | 21,000 | 27,000 | 657               | 1,560 | 2,320 | 3.10    | 6.90  | 10.30 | 13.46 |
|      | 9            | 15 |    |    |    | 24     | 9,000                  | 15,000 |        |        |        | 24,000 | 9,000    | 24,000 | 30,000 | 658               | 1,870 | 2,740 | 3.10    | 8.30  | 12.20 | 12.83 |
|      | 9            | 18 |    |    |    | 27     | 8,330                  | 16,670 |        |        |        | 25,000 | 9,000    | 25,000 | 33,000 | 659               | 1,880 | 2,800 | 3.20    | 8.30  | 12.40 | 13.30 |
|      | 9            | 24 |    |    |    | 33     | 7,280                  | 19,420 |        |        |        | 26,700 | 9,000    | 26,700 | 36,000 | 658               | 2,100 | 3,140 | 3.10    | 9.30  | 13.90 | 12.71 |
|      | 12           | 12 |    |    |    | 24     | 12,000                 | 12,000 |        |        |        | 24,000 | 9,000    | 24,000 | 30,000 | 661               | 1,770 | 2,740 | 3.20    | 7.90  | 12.20 | 13.56 |
|      | 12           | 15 |    |    |    | 27     | 11,110                 | 13,890 |        |        |        | 25,000 | 9,000    | 25,000 | 33,000 | 658               | 1,880 | 2,800 | 3.10    | 8.30  | 12.40 | 13.30 |
|      | 12           | 18 |    |    |    | 30     | 10,000                 | 15,000 |        |        |        | 25,000 | 9,000    | 25,000 | 33,000 | 663               | 1,880 | 2,800 | 3.20    | 8.30  | 12.40 | 13.30 |
|      | 12           | 24 |    |    |    | 36     | 9,470                  | 18,930 |        |        |        | 28,400 | 9,000    | 28,400 | 38,500 | 658               | 2,300 | 3,470 | 3.10    | 10.20 | 15.40 | 12.35 |
|      | 15           | 15 |    |    |    | 30     | 12,500                 | 12,500 |        |        |        | 25,000 | 9,000    | 25,000 | 33,000 | 663               | 1,880 | 2,800 | 3.20    | 8.30  | 12.40 | 13.30 |
|      | 15           | 18 |    |    |    | 33     | 12,140                 | 14,560 |        |        |        | 26,700 | 9,000    | 26,700 | 36,000 | 658               | 2,100 | 3,140 | 3.10    | 9.30  | 13.90 | 12.71 |
| 18   | 18           |    |    |    | 36 | 14,200 | 14,200                 |        |        |        | 28,400 | 9,000  | 28,400   | 38,500 | 668    | 2,300             | 3,470 | 3.20  | 10.20   | 15.40 | 12.35 |       |
| 3    | 9            | 9  | 9  |    |    | 27     | 9,000                  | 9,000  | 9,000  |        |        | 27,000 | 9,500    | 27,000 | 34,000 | 600               | 2,300 | 2,900 | 2.90    | 10.20 | 12.90 | 11.74 |
|      | 9            | 9  | 12 |    |    | 30     | 9,000                  | 9,000  | 12,000 |        |        | 30,000 | 9,500    | 30,000 | 34,000 | 600               | 2,560 | 2,900 | 2.90    | 11.40 | 12.90 | 11.72 |
|      | 9            | 9  | 15 |    |    | 33     | 9,000                  | 9,000  | 15,000 |        |        | 33,000 | 9,500    | 33,000 | 37,000 | 600               | 2,820 | 3,240 | 2.90    | 12.50 | 14.40 | 11.70 |
|      | 9            | 9  | 18 |    |    | 36     | 8,500                  | 8,500  | 17,000 |        |        | 34,000 | 9,500    | 34,000 | 39,600 | 600               | 2,905 | 3,570 | 2.90    | 12.90 | 15.80 | 11.70 |
|      | 9            | 12 | 12 |    |    | 33     | 9,000                  | 12,000 | 12,000 |        |        | 33,000 | 9,500    | 33,000 | 37,000 | 600               | 2,820 | 3,240 | 2.90    | 12.50 | 14.40 | 11.70 |
|      | 9            | 12 | 15 |    |    | 36     | 8,500                  | 11,330 | 14,170 |        |        | 34,000 | 9,500    | 34,000 | 39,600 | 600               | 2,905 | 3,570 | 2.90    | 12.90 | 15.80 | 11.70 |
|      | 9            | 12 | 18 |    |    | 39     | 7,850                  | 10,460 | 15,690 |        |        | 34,000 | 9,500    | 34,000 | 39,600 | 600               | 2,905 | 3,570 | 2.90    | 12.90 | 15.80 | 11.70 |
|      | 9            | 18 | 18 |    |    | 45     | 6,800                  | 13,600 | 13,600 |        |        | 34,000 | 9,500    | 34,000 | 39,600 | 600               | 2,905 | 3,570 | 2.90    | 12.90 | 15.80 | 11.70 |
|      | 12           | 12 | 12 |    |    | 36     | 11,330                 | 11,330 | 11,340 |        |        | 34,000 | 9,500    | 34,000 | 39,600 | 600               | 2,905 | 3,570 | 2.90    | 12.90 | 15.80 | 11.70 |
|      | 12           | 12 | 18 |    |    | 42     | 9,710                  | 9,710  | 14,580 |        |        | 34,000 | 9,500    | 34,000 | 39,600 | 600               | 2,905 | 3,570 | 2.90    | 12.90 | 15.80 | 11.70 |
| 12   | 18           | 18 |    |    | 48 | 8,500  | 12,750                 | 12,750 |        |        | 34,000 | 9,500  | 34,000   | 39,600 | 600    | 2,905             | 3,570 | 2.90  | 12.90   | 15.80 | 11.70 |       |
| 4    | 9            | 9  | 9  | 9  |    | 36     | 8,500                  | 8,500  | 8,500  | 8,500  |        | 34,000 | 9,500    | 34,000 | 39,600 | 600               | 2,905 | 3,570 | 2.90    | 12.90 | 15.80 | 11.70 |
|      | 9            | 9  | 9  | 12 |    | 39     | 7,850                  | 7,850  | 7,850  | 10,450 |        | 34,000 | 9,500    | 34,000 | 39,600 | 600               | 2,905 | 3,570 | 2.90    | 12.90 | 15.80 | 11.70 |
|      | 9            | 9  | 9  | 18 |    | 45     | 6,800                  | 6,800  | 6,800  | 13,600 |        | 34,000 | 9,500    | 34,000 | 39,600 | 600               | 2,905 | 3,570 | 2.90    | 12.90 | 15.80 | 11.70 |
|      | 9            | 9  | 12 | 12 |    | 42     | 7,290                  | 7,290  | 9,710  | 9,710  |        | 34,000 | 9,500    | 34,000 | 39,600 | 600               | 2,905 | 3,570 | 2.90    | 12.90 | 15.80 | 11.70 |
|      | 9            | 9  | 12 | 18 |    | 48     | 6,380                  | 6,380  | 8,500  | 12,740 |        | 34,000 | 9,500    | 34,000 | 39,600 | 600               | 2,905 | 3,570 | 2.90    | 12.90 | 15.80 | 11.70 |
|      | 9            | 12 | 12 | 12 |    | 45     | 6,790                  | 9,070  | 9,070  | 9,070  |        | 34,000 | 9,500    | 34,000 | 39,600 | 600               | 2,905 | 3,570 | 2.90    | 12.90 | 15.80 | 11.70 |
| 12   | 12           | 12 | 12 |    | 48 | 8,500  | 8,500                  | 8,500  | 8,500  |        | 34,000 | 9,500  | 34,000   | 39,600 | 600    | 2,905             | 3,570 | 2.90  | 12.90   | 15.80 | 11.70 |       |

# MULTI-ZONE SYSTEM COMBINATIONS

## MMLD036S6M-1P

### Heating (Ducted)

| Unit | Indoor Index |    |    |    |    |        | Heating Capacity (btu) |        |        |        |        |        | Capacity |        |        | Power Consumption |       |       | Current |       |       | COP   |
|------|--------------|----|----|----|----|--------|------------------------|--------|--------|--------|--------|--------|----------|--------|--------|-------------------|-------|-------|---------|-------|-------|-------|
|      | A            | B  | C  | D  | E  | TTL    | A                      | B      | C      | D      | E      | TTL    | btu      |        |        | W                 |       |       | A       |       |       | W/W   |
|      |              |    |    |    |    |        |                        |        |        |        |        |        | MIN      | Rated  | MAX    | MIN               | Rated | MAX   | MIN     | Rated | MAX   | Rated |
| 2    | 9            | 9  |    |    |    | 18     | 10,900                 | 10,900 |        |        |        | 21,800 | 7,600    | 21,800 | 30,000 | 450               | 2,210 | 3,000 | 2.20    | 9.80  | 13.30 | 2.89  |
|      | 9            | 12 |    |    |    | 21     | 9,430                  | 12,570 |        |        |        | 22,000 | 7,600    | 22,000 | 34,000 | 450               | 2,230 | 3,220 | 2.20    | 9.90  | 14.30 | 2.89  |
|      | 9            | 15 |    |    |    | 24     | 9,380                  | 15,620 |        |        |        | 25,000 | 7,600    | 25,000 | 36,000 | 451               | 2,360 | 3,440 | 2.20    | 10.50 | 15.30 | 3.10  |
|      | 9            | 18 |    |    |    | 27     | 8,330                  | 16,670 |        |        |        | 25,000 | 7,600    | 25,000 | 37,000 | 450               | 2,360 | 3,560 | 2.20    | 10.50 | 15.80 | 3.10  |
|      | 9            | 24 |    |    |    | 33     | 7,310                  | 19,490 |        |        |        | 26,800 | 7,600    | 26,800 | 40,000 | 450               | 2,460 | 4,500 | 2.20    | 10.90 | 20.00 | 3.19  |
|      | 12           | 12 |    |    |    | 24     | 12,500                 | 12,500 |        |        |        | 25,000 | 7,600    | 25,000 | 36,000 | 450               | 2,360 | 3,440 | 2.20    | 10.50 | 15.30 | 3.10  |
|      | 12           | 15 |    |    |    | 27     | 11,110                 | 13,890 |        |        |        | 25,000 | 7,600    | 25,000 | 37,000 | 451               | 2,360 | 3,560 | 2.20    | 10.50 | 15.80 | 3.10  |
|      | 12           | 18 |    |    |    | 30     | 10,000                 | 15,000 |        |        |        | 25,000 | 7,600    | 25,000 | 37,000 | 450               | 2,360 | 3,560 | 2.20    | 10.50 | 15.80 | 3.10  |
|      | 12           | 24 |    |    |    | 36     | 9,530                  | 19,070 |        |        |        | 28,600 | 7,600    | 28,600 | 42,000 | 451               | 2,550 | 4,800 | 2.20    | 11.30 | 21.30 | 3.29  |
|      | 15           | 15 |    |    |    | 30     | 12,500                 | 12,500 |        |        |        | 25,000 | 7,600    | 25,000 | 37,000 | 450               | 2,360 | 3,560 | 2.20    | 10.50 | 15.80 | 3.10  |
|      | 15           | 18 |    |    |    | 33     | 12,180                 | 14,620 |        |        |        | 26,800 | 7,600    | 26,800 | 40,000 | 450               | 2,460 | 4,500 | 2.20    | 10.90 | 20.00 | 3.19  |
| 18   | 18           |    |    |    | 36 | 14,300 | 14,300                 |        |        |        | 28,600 | 7,600  | 28,600   | 42,000 | 450    | 2,550             | 4,800 | 2.20  | 11.30   | 21.30 | 3.29  |       |
| 3    | 9            | 9  | 9  |    |    | 27     | 10,900                 | 10,900 | 10,900 |        |        | 32,700 | 7,600    | 32,700 | 45,000 | 450               | 2,790 | 4,900 | 2.20    | 12.40 | 21.70 | 3.44  |
|      | 9            | 9  | 12 |    |    | 30     | 10,380                 | 10,380 | 13,840 |        |        | 34,600 | 7,600    | 34,600 | 45,000 | 450               | 2,820 | 4,900 | 2.20    | 12.50 | 21.70 | 3.60  |
|      | 9            | 9  | 15 |    |    | 33     | 9,440                  | 9,440  | 15,720 |        |        | 34,600 | 7,600    | 34,600 | 50,500 | 450               | 2,820 | 4,900 | 2.20    | 12.50 | 21.70 | 3.60  |
|      | 9            | 9  | 18 |    |    | 36     | 8,650                  | 8,650  | 17,300 |        |        | 34,600 | 7,600    | 34,600 | 53,500 | 450               | 2,820 | 4,900 | 2.20    | 12.50 | 21.70 | 3.60  |
|      | 9            | 12 | 12 |    |    | 33     | 9,440                  | 12,580 | 12,580 |        |        | 34,600 | 7,600    | 34,600 | 50,500 | 450               | 2,820 | 4,900 | 2.20    | 12.50 | 21.70 | 3.60  |
|      | 9            | 12 | 15 |    |    | 36     | 8,650                  | 11,530 | 14,420 |        |        | 34,600 | 7,600    | 34,600 | 53,500 | 450               | 2,820 | 4,900 | 2.20    | 12.50 | 21.70 | 3.60  |
|      | 9            | 12 | 18 |    |    | 39     | 7,980                  | 10,650 | 15,970 |        |        | 34,600 | 7,600    | 34,600 | 53,500 | 450               | 2,820 | 4,900 | 2.20    | 12.50 | 21.70 | 3.60  |
|      | 9            | 18 | 18 |    |    | 45     | 6,920                  | 13,840 | 13,840 |        |        | 34,600 | 7,600    | 34,600 | 53,500 | 450               | 2,820 | 4,900 | 2.20    | 12.50 | 21.70 | 3.60  |
|      | 12           | 12 | 12 |    |    | 36     | 11,530                 | 11,530 | 11,540 |        |        | 34,600 | 7,600    | 34,600 | 53,500 | 450               | 2,820 | 4,900 | 2.20    | 12.50 | 21.70 | 3.60  |
|      | 12           | 12 | 18 |    |    | 42     | 9,890                  | 9,890  | 14,820 |        |        | 34,600 | 7,600    | 34,600 | 53,500 | 450               | 2,820 | 4,900 | 2.20    | 12.50 | 21.70 | 3.60  |
| 12   | 18           | 18 |    |    | 48 | 8,640  | 12,980                 | 12,980 |        |        | 34,600 | 7,600  | 34,600   | 53,500 | 450    | 2,820             | 4,900 | 2.20  | 12.50   | 21.70 | 3.60  |       |
| 4    | 9            | 9  | 9  | 9  |    | 36     | 8,650                  | 8,650  | 8,650  | 8,650  |        | 34,600 | 7,600    | 34,600 | 53,500 | 450               | 2,820 | 4,900 | 2.20    | 12.50 | 21.70 | 3.60  |
|      | 9            | 9  | 9  | 12 |    | 39     | 7,980                  | 7,980  | 7,980  | 10,660 |        | 34,600 | 7,600    | 34,600 | 53,500 | 450               | 2,820 | 4,900 | 2.20    | 12.50 | 21.70 | 3.60  |
|      | 9            | 9  | 9  | 18 |    | 45     | 6,920                  | 6,920  | 6,920  | 13,840 |        | 34,600 | 7,600    | 34,600 | 53,500 | 450               | 2,820 | 4,900 | 2.20    | 12.50 | 21.70 | 3.60  |
|      | 9            | 9  | 12 | 12 |    | 42     | 7,410                  | 7,410  | 9,890  | 9,890  |        | 34,600 | 7,600    | 34,600 | 53,500 | 450               | 2,820 | 4,900 | 2.20    | 12.50 | 21.70 | 3.60  |
|      | 9            | 9  | 12 | 18 |    | 48     | 6,490                  | 6,490  | 8,650  | 12,970 |        | 34,600 | 7,600    | 34,600 | 53,500 | 450               | 2,820 | 4,900 | 2.20    | 12.50 | 21.70 | 3.60  |
|      | 9            | 12 | 12 | 12 |    | 45     | 6,910                  | 9,230  | 9,230  | 9,230  |        | 34,600 | 7,600    | 34,600 | 53,500 | 450               | 2,820 | 4,900 | 2.20    | 12.50 | 21.70 | 3.60  |
| 12   | 12           | 12 | 12 |    | 48 | 8,650  | 8,650                  | 8,650  | 8,650  |        | 34,600 | 7,600  | 34,600   | 53,500 | 450    | 2,820             | 4,900 | 2.20  | 12.50   | 21.70 | 3.60  |       |

### NOTE

- Cooling capacity is based on 80°FDB(26.7°CDB) / 80°FDB(19.4°CWB) (indoor temperature), 95°FDB(35°CDB) (outdoor temperature).
- Heating capacity is based on 70°FDB(21.1°CDB) (indoor temperature), 47°FDB(8.33°CDB) / 43°FDB(6.11°CWB) (outdoor temperature).
- Capacities are based on the following conditions:
  - Corresponding refrigerant piping length : 24.6ft(7.5m) / - Level difference : 0m
- The total combination Index of connected a indoor unit is up to 48.
- At least two indoor units must be connected for operation.
- If MDDD\*\*\*M6-1P or MMD\*\*\*M6-1P is included in the combination, the combination criteria noted must be followed.

# MULTI-ZONE SYSTEM COMBINATIONS

## MMLD036S6M-1P

### Cooling (Non Ducted)

| Unit | Indoor Index |    |    |   |    |        | Cooling Capacity (btu) |        |        |   |        |        | Capacity |        |        | Power Consumption |       |       | Current |       |       | EER   |
|------|--------------|----|----|---|----|--------|------------------------|--------|--------|---|--------|--------|----------|--------|--------|-------------------|-------|-------|---------|-------|-------|-------|
|      | A            | B  | C  | D | E  | TTL    | A                      | B      | C      | D | E      | TTL    | btu      |        |        | W                 |       |       | A       |       |       | btu/W |
|      |              |    |    |   |    |        |                        |        |        |   |        |        | MIN      | Rated  | MAX    | MIN               | Rated | MAX   | MIN     | Rated | MAX   |       |
| 2    | 7            | 7  |    |   |    | 14     | 7,000                  | 7,000  |        |   |        | 14,000 | 9,000    | 14,000 | 21,000 | 650               | 1,140 | 1,500 | 3.10    | 5.10  | 6.70  | 12.28 |
|      | 7            | 9  |    |   |    | 16     | 7,000                  | 9,000  |        |   |        | 16,000 | 9,000    | 16,000 | 23,000 | 651               | 1,250 | 1,700 | 3.10    | 5.50  | 7.50  | 12.80 |
|      | 7            | 12 |    |   |    | 19     | 7,000                  | 12,000 |        |   |        | 19,000 | 9,000    | 19,000 | 26,000 | 652               | 1,460 | 2,100 | 3.10    | 6.50  | 9.30  | 13.01 |
|      | 7            | 15 |    |   |    | 22     | 7,000                  | 15,000 |        |   |        | 22,000 | 9,000    | 22,000 | 30,000 | 653               | 1,670 | 2,630 | 3.10    | 7.40  | 11.70 | 13.17 |
|      | 7            | 18 |    |   |    | 25     | 7,000                  | 18,000 |        |   |        | 25,000 | 9,000    | 25,000 | 30,000 | 654               | 1,800 | 2,630 | 3.10    | 8.00  | 11.70 | 13.89 |
|      | 7            | 24 |    |   |    | 31     | 6,410                  | 21,990 |        |   |        | 28,400 | 9,000    | 28,400 | 33,000 | 655               | 2,360 | 3,100 | 3.10    | 10.50 | 13.80 | 12.03 |
|      | 9            | 9  |    |   |    | 18     | 9,000                  | 9,000  |        |   |        | 18,000 | 9,000    | 18,000 | 24,500 | 656               | 1,350 | 1,950 | 3.10    | 6.00  | 8.70  | 13.33 |
|      | 9            | 12 |    |   |    | 21     | 9,000                  | 12,000 |        |   |        | 21,000 | 9,000    | 21,000 | 28,000 | 657               | 1,560 | 2,400 | 3.10    | 6.90  | 10.60 | 13.46 |
|      | 9            | 15 |    |   |    | 24     | 9,000                  | 15,000 |        |   |        | 24,000 | 9,000    | 24,000 | 30,000 | 658               | 1,770 | 2,630 | 3.10    | 7.90  | 11.70 | 13.56 |
|      | 9            | 18 |    |   |    | 27     | 8,330                  | 16,670 |        |   |        | 25,000 | 9,000    | 25,000 | 33,000 | 659               | 1,950 | 2,740 | 3.20    | 8.70  | 12.20 | 12.82 |
|      | 9            | 24 |    |   |    | 33     | 7,750                  | 20,650 |        |   |        | 28,400 | 9,000    | 28,400 | 33,000 | 660               | 2,360 | 3,100 | 3.20    | 10.50 | 13.80 | 12.03 |
|      | 12           | 12 |    |   |    | 24     | 12,000                 | 12,000 |        |   |        | 24,000 | 9,000    | 24,000 | 30,000 | 661               | 1,770 | 2,630 | 3.20    | 7.90  | 11.70 | 13.56 |
|      | 12           | 15 |    |   |    | 27     | 11,110                 | 13,890 |        |   |        | 25,000 | 9,000    | 25,000 | 33,000 | 662               | 1,950 | 2,740 | 3.20    | 8.70  | 12.20 | 12.82 |
|      | 12           | 18 |    |   |    | 30     | 10,000                 | 15,000 |        |   |        | 25,000 | 9,000    | 25,000 | 33,000 | 663               | 1,950 | 3,000 | 3.20    | 8.70  | 13.30 | 12.82 |
|      | 12           | 24 |    |   |    | 36     | 9,470                  | 18,930 |        |   |        | 28,400 | 9,000    | 28,400 | 34,000 | 664               | 2,420 | 3,200 | 3.20    | 10.70 | 14.20 | 11.74 |
|      | 15           | 15 |    |   |    | 30     | 12,500                 | 12,500 |        |   |        | 25,000 | 9,000    | 25,000 | 33,000 | 665               | 1,950 | 3,000 | 3.20    | 8.70  | 13.30 | 12.82 |
|      | 15           | 18 |    |   |    | 33     | 12,910                 | 15,490 |        |   |        | 28,400 | 9,000    | 28,400 | 33,000 | 666               | 2,360 | 3,100 | 3.20    | 10.50 | 13.80 | 12.03 |
|      | 15           | 24 |    |   |    | 39     | 10,920                 | 17,480 |        |   |        | 28,400 | 9,000    | 28,400 | 34,000 | 667               | 2,420 | 3,200 | 3.20    | 10.70 | 14.20 | 11.74 |
|      | 18           | 18 |    |   |    | 36     | 14,200                 | 14,200 |        |   |        | 28,400 | 9,000    | 28,400 | 34,000 | 667               | 2,420 | 3,200 | 3.20    | 10.70 | 14.20 | 11.74 |
|      | 18           | 24 |    |   |    | 42     | 14,570                 | 19,430 |        |   |        | 34,000 | 9,000    | 34,000 | 40,000 | 667               | 2,900 | 3,500 | 3.20    | 12.90 | 15.50 | 11.72 |
| 24   | 24           |    |    |   | 48 | 17,000 | 17,000                 |        |        |   | 34,000 | 9,000  | 34,000   | 40,000 | 667    | 2,900             | 3,500 | 3.20  | 12.90   | 15.50 | 11.72 |       |
| 3    | 7            | 7  | 7  |   |    | 21     | 7,000                  | 7,000  | 7,000  |   |        | 21,000 | 9,500    | 21,000 | 30,000 | 600               | 1,400 | 2,200 | 2.90    | 6.20  | 9.80  | 15.00 |
|      | 7            | 7  | 9  |   |    | 23     | 7,000                  | 7,000  | 9,000  |   |        | 23,000 | 9,500    | 23,000 | 32,000 | 600               | 1,560 | 2,540 | 2.90    | 6.90  | 11.30 | 14.74 |
|      | 7            | 7  | 12 |   |    | 26     | 7,000                  | 7,000  | 12,000 |   |        | 26,000 | 9,500    | 26,000 | 34,000 | 600               | 1,850 | 2,740 | 2.90    | 8.20  | 12.20 | 14.05 |
|      | 7            | 7  | 15 |   |    | 29     | 6,860                  | 6,860  | 14,680 |   |        | 28,400 | 9,500    | 28,400 | 34,000 | 600               | 2,360 | 2,740 | 2.90    | 10.50 | 12.20 | 12.03 |
|      | 7            | 7  | 18 |   |    | 32     | 6,210                  | 6,210  | 15,980 |   |        | 28,400 | 9,500    | 28,400 | 34,000 | 600               | 2,360 | 2,740 | 2.90    | 10.50 | 12.20 | 12.03 |
|      | 7            | 7  | 24 |   |    | 38     | 5,230                  | 5,230  | 17,940 |   |        | 28,400 | 9,500    | 28,400 | 36,000 | 600               | 2,420 | 3,400 | 2.90    | 10.70 | 15.10 | 11.74 |
|      | 7            | 9  | 9  |   |    | 25     | 7,000                  | 9,000  | 9,000  |   |        | 25,000 | 9,500    | 25,000 | 34,000 | 600               | 1,720 | 2,740 | 2.90    | 7.60  | 12.20 | 14.55 |
|      | 7            | 9  | 12 |   |    | 28     | 7,000                  | 9,000  | 12,000 |   |        | 28,000 | 9,500    | 28,000 | 34,000 | 600               | 2,240 | 2,740 | 2.90    | 9.90  | 12.20 | 12.50 |
|      | 7            | 9  | 15 |   |    | 31     | 6,410                  | 8,250  | 13,740 |   |        | 28,400 | 9,500    | 28,400 | 34,000 | 600               | 2,360 | 2,740 | 2.90    | 10.50 | 12.20 | 12.03 |
|      | 7            | 9  | 18 |   |    | 34     | 5,850                  | 7,520  | 15,030 |   |        | 28,400 | 9,500    | 28,400 | 35,000 | 600               | 2,360 | 3,100 | 2.90    | 10.50 | 13.80 | 12.03 |
|      | 7            | 9  | 24 |   |    | 40     | 4,970                  | 6,390  | 17,040 |   |        | 28,400 | 9,500    | 28,400 | 39,600 | 600               | 2,350 | 3,400 | 2.90    | 10.40 | 15.10 | 12.09 |
|      | 7            | 12 | 12 |   |    | 31     | 6,420                  | 10,990 | 10,990 |   |        | 28,400 | 9,500    | 28,400 | 34,000 | 600               | 2,360 | 2,740 | 2.90    | 10.50 | 12.20 | 12.03 |
|      | 7            | 12 | 15 |   |    | 34     | 5,850                  | 10,020 | 12,530 |   |        | 28,400 | 9,500    | 28,400 | 35,000 | 600               | 2,360 | 3,100 | 2.90    | 10.50 | 13.80 | 12.03 |
|      | 7            | 12 | 18 |   |    | 37     | 5,370                  | 9,210  | 13,820 |   |        | 28,400 | 9,500    | 28,400 | 36,000 | 600               | 2,420 | 3,400 | 2.90    | 10.70 | 15.10 | 11.74 |
|      | 7            | 12 | 24 |   |    | 43     | 5,530                  | 9,490  | 18,980 |   |        | 34,000 | 9,500    | 34,000 | 41,000 | 600               | 2,810 | 3,500 | 2.90    | 12.50 | 15.50 | 12.10 |
|      | 7            | 15 | 15 |   |    | 37     | 5,380                  | 11,510 | 11,510 |   |        | 28,400 | 9,500    | 28,400 | 36,000 | 600               | 2,420 | 3,400 | 2.90    | 10.70 | 15.10 | 11.74 |
|      | 7            | 15 | 18 |   |    | 40     | 4,970                  | 10,650 | 12,780 |   |        | 28,400 | 9,500    | 28,400 | 39,600 | 600               | 2,350 | 3,400 | 2.90    | 10.40 | 15.10 | 12.09 |
|      | 7            | 15 | 24 |   |    | 46     | 5,170                  | 11,090 | 17,740 |   |        | 34,000 | 9,500    | 34,000 | 41,000 | 600               | 2,810 | 3,500 | 2.90    | 12.50 | 15.50 | 12.10 |
| 7    | 18           | 18 |    |   | 43 | 5,540  | 14,230                 | 14,230 |        |   | 34,000 | 9,500  | 34,000   | 41,000 | 600    | 2,810             | 3,500 | 2.90  | 12.50   | 15.50 | 12.10 |       |

# MULTI-ZONE SYSTEM COMBINATIONS

## MMLD036S6M-1P

| Unit | Indoor Index |    |    |    |    |        | Cooling Capacity (btu) |        |        |        |        |        | Capacity |        |        | Power Consumption |       |       | Current |       |       | EER   |
|------|--------------|----|----|----|----|--------|------------------------|--------|--------|--------|--------|--------|----------|--------|--------|-------------------|-------|-------|---------|-------|-------|-------|
|      | A            | B  | C  | D  | E  | TTL    | A                      | B      | C      | D      | E      | TTL    | btu      |        |        | W                 |       |       | A       |       |       | btu/W |
|      |              |    |    |    |    |        |                        |        |        |        |        |        | MIN      | Rated  | MAX    | MIN               | Rated | MAX   | MIN     | Rated | MAX   | Rated |
| 3    | 9            | 9  | 9  |    |    | 27     | 9,000                  | 9,000  | 9,000  |        |        | 27,000 | 9,500    | 27,000 | 34,000 | 600               | 1,960 | 2,740 | 2.90    | 8.70  | 12.20 | 13.78 |
|      | 9            | 9  | 12 |    |    | 30     | 8,520                  | 8,520  | 11,360 |        |        | 28,400 | 9,500    | 28,400 | 34,000 | 600               | 2,360 | 2,740 | 2.90    | 10.50 | 12.20 | 12.03 |
|      | 9            | 9  | 15 |    |    | 33     | 7,750                  | 7,750  | 12,900 |        |        | 28,400 | 9,500    | 28,400 | 35,000 | 600               | 2,360 | 3,100 | 2.90    | 10.50 | 13.80 | 12.03 |
|      | 9            | 9  | 18 |    |    | 36     | 7,100                  | 7,100  | 14,200 |        |        | 28,400 | 9,500    | 28,400 | 36,000 | 600               | 2,420 | 3,400 | 2.90    | 10.70 | 15.10 | 11.74 |
|      | 9            | 9  | 24 |    |    | 42     | 7,290                  | 7,290  | 19,420 |        |        | 34,000 | 9,500    | 34,000 | 41,000 | 600               | 2,810 | 3,500 | 2.90    | 12.50 | 15.50 | 12.10 |
|      | 9            | 12 | 12 |    |    | 33     | 7,740                  | 10,330 | 10,330 |        |        | 28,400 | 9,500    | 28,400 | 35,000 | 600               | 2,360 | 3,100 | 2.90    | 10.50 | 13.80 | 12.03 |
|      | 9            | 12 | 15 |    |    | 36     | 7,100                  | 9,470  | 11,830 |        |        | 28,400 | 9,500    | 28,400 | 36,000 | 600               | 2,420 | 3,400 | 2.90    | 10.70 | 15.10 | 11.74 |
|      | 9            | 12 | 18 |    |    | 39     | 6,550                  | 8,740  | 13,110 |        |        | 28,400 | 9,500    | 28,400 | 39,600 | 600               | 2,350 | 3,400 | 2.90    | 10.40 | 15.10 | 12.09 |
|      | 9            | 12 | 24 |    |    | 45     | 6,800                  | 9,070  | 18,130 |        |        | 34,000 | 9,500    | 34,000 | 41,000 | 600               | 2,810 | 3,500 | 2.90    | 12.50 | 15.50 | 12.10 |
|      | 9            | 15 | 15 |    |    | 39     | 6,560                  | 10,920 | 10,920 |        |        | 28,400 | 9,500    | 28,400 | 39,600 | 600               | 2,350 | 3,400 | 2.90    | 10.40 | 15.10 | 12.09 |
|      | 9            | 15 | 18 |    |    | 42     | 7,290                  | 12,140 | 14,570 |        |        | 34,000 | 9,500    | 34,000 | 41,000 | 600               | 2,810 | 3,500 | 2.90    | 12.50 | 15.50 | 12.10 |
|      | 9            | 15 | 24 |    |    | 48     | 6,380                  | 10,620 | 17,000 |        |        | 34,000 | 9,500    | 34,000 | 41,000 | 600               | 2,810 | 3,500 | 2.90    | 12.50 | 15.50 | 12.10 |
|      | 9            | 18 | 18 |    |    | 45     | 6,800                  | 13,600 | 13,600 |        |        | 34,000 | 9,500    | 34,000 | 41,000 | 600               | 2,810 | 3,500 | 2.90    | 12.50 | 15.50 | 12.10 |
|      | 12           | 12 | 12 |    |    | 36     | 9,470                  | 9,470  | 9,460  |        |        | 28,400 | 9,500    | 28,400 | 36,000 | 600               | 2,420 | 3,400 | 2.90    | 10.70 | 15.10 | 11.74 |
|      | 12           | 12 | 15 |    |    | 39     | 8,740                  | 8,740  | 10,920 |        |        | 28,400 | 9,500    | 28,400 | 39,600 | 600               | 2,350 | 3,400 | 2.90    | 10.40 | 15.10 | 12.09 |
|      | 12           | 12 | 18 |    |    | 42     | 9,710                  | 9,710  | 14,580 |        |        | 34,000 | 9,500    | 34,000 | 41,000 | 600               | 2,810 | 3,500 | 2.90    | 12.50 | 15.50 | 12.10 |
|      | 12           | 12 | 24 |    |    | 48     | 8,500                  | 8,500  | 17,000 |        |        | 34,000 | 9,500    | 34,000 | 41,000 | 600               | 2,810 | 3,500 | 2.90    | 12.50 | 15.50 | 12.10 |
|      | 12           | 15 | 15 |    |    | 42     | 9,720                  | 12,140 | 12,140 |        |        | 34,000 | 9,500    | 34,000 | 41,000 | 600               | 2,810 | 3,500 | 2.90    | 12.50 | 15.50 | 12.10 |
|      | 12           | 15 | 18 |    |    | 45     | 9,070                  | 11,330 | 13,600 |        |        | 34,000 | 9,500    | 34,000 | 41,000 | 600               | 2,810 | 3,500 | 2.90    | 12.50 | 15.50 | 12.10 |
|      | 12           | 18 | 18 |    |    | 48     | 8,500                  | 12,750 | 12,750 |        |        | 34,000 | 9,500    | 34,000 | 42,000 | 600               | 2,720 | 3,500 | 2.90    | 12.10 | 15.50 | 12.50 |
| 15   | 15           | 15 |    |    | 45 | 11,330 | 11,330                 | 11,340 |        |        | 34,000 | 9,500  | 34,000   | 41,000 | 600    | 2,810             | 3,500 | 2.90  | 12.50   | 15.50 | 12.10 |       |
| 15   | 15           | 18 |    |    | 48 | 10,630 | 10,630                 | 12,740 |        |        | 34,000 | 9,500  | 34,000   | 42,000 | 600    | 2,720             | 3,500 | 2.90  | 12.10   | 15.50 | 12.50 |       |
| 4    | 7            | 7  | 7  | 7  |    | 28     | 7,000                  | 7,000  | 7,000  | 7,000  |        | 28,000 | 9,500    | 28,000 | 36,000 | 599               | 2,350 | 3,000 | 2.90    | 10.30 | 13.30 | 12.02 |
|      | 7            | 7  | 7  | 9  |    | 30     | 6,630                  | 6,630  | 6,630  | 8,510  |        | 28,400 | 9,500    | 28,400 | 39,600 | 600               | 2,270 | 3,400 | 2.90    | 10.10 | 15.10 | 12.51 |
|      | 7            | 7  | 7  | 12 |    | 33     | 6,020                  | 6,020  | 6,020  | 10,340 |        | 28,400 | 9,500    | 28,400 | 39,600 | 600               | 2,100 | 3,400 | 2.90    | 9.30  | 15.10 | 13.52 |
|      | 7            | 7  | 7  | 15 |    | 36     | 6,610                  | 6,610  | 6,610  | 14,170 |        | 34,000 | 9,500    | 34,000 | 42,000 | 600               | 2,720 | 3,500 | 2.90    | 12.10 | 15.50 | 12.50 |
|      | 7            | 7  | 7  | 18 |    | 39     | 6,100                  | 6,100  | 6,100  | 15,700 |        | 34,000 | 9,500    | 34,000 | 42,000 | 600               | 2,720 | 3,500 | 2.90    | 12.10 | 15.50 | 12.50 |
|      | 7            | 7  | 7  | 24 |    | 45     | 5,290                  | 5,290  | 5,290  | 18,130 |        | 34,000 | 9,500    | 34,000 | 42,000 | 600               | 2,720 | 3,500 | 2.90    | 12.10 | 15.50 | 12.50 |
|      | 7            | 7  | 9  | 9  |    | 32     | 6,210                  | 6,210  | 7,990  | 7,990  |        | 28,400 | 9,500    | 28,400 | 39,600 | 600               | 2,100 | 3,400 | 2.90    | 9.30  | 15.10 | 13.50 |
|      | 7            | 7  | 9  | 12 |    | 35     | 6,800                  | 6,800  | 8,740  | 11,660 |        | 34,000 | 9,500    | 34,000 | 42,000 | 600               | 2,720 | 3,500 | 2.90    | 12.10 | 15.50 | 12.50 |
|      | 7            | 7  | 9  | 15 |    | 38     | 6,260                  | 6,260  | 8,060  | 13,420 |        | 34,000 | 9,500    | 34,000 | 42,000 | 600               | 2,720 | 3,500 | 2.90    | 12.10 | 15.50 | 12.50 |
|      | 7            | 7  | 9  | 18 |    | 41     | 5,800                  | 5,800  | 7,470  | 14,930 |        | 34,000 | 9,500    | 34,000 | 42,000 | 600               | 2,720 | 3,500 | 2.90    | 12.10 | 15.50 | 12.50 |
|      | 7            | 7  | 9  | 24 |    | 47     | 5,060                  | 5,060  | 6,520  | 17,360 |        | 34,000 | 9,500    | 34,000 | 42,000 | 600               | 2,720 | 3,500 | 2.90    | 12.10 | 15.50 | 12.50 |
|      | 7            | 7  | 12 | 12 |    | 38     | 6,260                  | 6,260  | 10,740 | 10,740 |        | 34,000 | 9,500    | 34,000 | 42,000 | 600               | 2,720 | 3,500 | 2.90    | 12.10 | 15.50 | 12.50 |
|      | 7            | 7  | 12 | 15 |    | 41     | 5,800                  | 5,800  | 9,960  | 12,440 |        | 34,000 | 9,500    | 34,000 | 42,000 | 600               | 2,720 | 3,500 | 2.90    | 12.10 | 15.50 | 12.50 |
|      | 7            | 7  | 12 | 18 |    | 44     | 5,410                  | 5,410  | 9,270  | 13,910 |        | 34,000 | 9,500    | 34,000 | 42,000 | 600               | 2,720 | 3,500 | 2.90    | 12.10 | 15.50 | 12.50 |
|      | 7            | 7  | 15 | 15 |    | 44     | 5,410                  | 5,410  | 11,590 | 11,590 |        | 34,000 | 9,500    | 34,000 | 42,000 | 600               | 2,720 | 3,500 | 2.90    | 12.10 | 15.50 | 12.50 |
|      | 7            | 7  | 15 | 18 |    | 47     | 5,060                  | 5,060  | 10,860 | 13,020 |        | 34,000 | 9,500    | 34,000 | 42,000 | 600               | 2,720 | 3,500 | 2.90    | 12.10 | 15.50 | 12.50 |
|      | 7            | 9  | 9  | 9  |    | 34     | 7,000                  | 9,000  | 9,000  | 9,000  |        | 34,000 | 9,500    | 34,000 | 42,000 | 600               | 2,720 | 3,500 | 2.90    | 12.10 | 15.50 | 12.50 |
|      | 7            | 9  | 9  | 12 |    | 37     | 6,430                  | 8,270  | 8,270  | 11,030 |        | 34,000 | 9,500    | 34,000 | 42,000 | 600               | 2,720 | 3,500 | 2.90    | 12.10 | 15.50 | 12.50 |
|      | 7            | 9  | 9  | 15 |    | 40     | 5,950                  | 7,650  | 7,650  | 12,750 |        | 34,000 | 9,500    | 34,000 | 42,000 | 600               | 2,720 | 3,500 | 2.90    | 12.10 | 15.50 | 12.50 |
|      | 7            | 9  | 9  | 18 |    | 43     | 5,530                  | 7,120  | 7,120  | 14,230 |        | 34,000 | 9,500    | 34,000 | 42,000 | 600               | 2,720 | 3,500 | 2.90    | 12.10 | 15.50 | 12.50 |
| 7    | 9            | 12 | 12 |    | 40 | 5,950  | 7,650                  | 10,200 | 10,200 |        | 34,000 | 9,500  | 34,000   | 42,000 | 600    | 2,720             | 3,500 | 2.90  | 12.10   | 15.50 | 12.50 |       |
| 7    | 9            | 12 | 15 |    | 43 | 5,530  | 7,120                  | 9,490  | 11,860 |        | 34,000 | 9,500  | 34,000   | 42,000 | 600    | 2,720             | 3,500 | 2.90  | 12.10   | 15.50 | 12.50 |       |
| 7    | 9            | 12 | 18 |    | 46 | 5,170  | 6,650                  | 8,880  | 13,300 |        | 34,000 | 9,500  | 34,000   | 42,000 | 600    | 2,720             | 3,500 | 2.90  | 12.10   | 15.50 | 12.50 |       |
| 7    | 9            | 15 | 15 |    | 46 | 5,170  | 6,650                  | 11,090 | 11,090 |        | 34,000 | 9,500  | 34,000   | 42,000 | 600    | 2,720             | 3,500 | 2.90  | 12.10   | 15.50 | 12.50 |       |
| 7    | 12           | 12 | 12 |    | 43 | 5,530  | 9,490                  | 9,490  | 9,490  |        | 34,000 | 9,500  | 34,000   | 42,000 | 600    | 2,720             | 3,500 | 2.90  | 12.10   | 15.50 | 12.50 |       |
| 7    | 12           | 12 | 15 |    | 46 | 5,170  | 8,870                  | 8,870  | 11,090 |        | 34,000 | 9,500  | 34,000   | 42,000 | 600    | 2,720             | 3,500 | 2.90  | 12.10   | 15.50 | 12.50 |       |

# MULTI-ZONE SYSTEM COMBINATIONS

## MMLD036S6M-1P

| Unit | Indoor Index |    |    |    |    |       | Cooling Capacity (btu) |       |        |        |        |        | Capacity |        |        | Power Consumption |       |       | Current |       |       | EER   |
|------|--------------|----|----|----|----|-------|------------------------|-------|--------|--------|--------|--------|----------|--------|--------|-------------------|-------|-------|---------|-------|-------|-------|
|      | A            | B  | C  | D  | E  | TTL   | A                      | B     | C      | D      | E      | TTL    | btu      |        |        | W                 |       |       | A       |       |       | btu/W |
|      |              |    |    |    |    |       |                        |       |        |        |        |        | MIN      | Rated  | MAX    | MIN               | Rated | MAX   | MIN     | Rated | MAX   | Rated |
| 4    | 9            | 9  | 9  | 9  |    | 36    | 8,500                  | 8,500 | 8,500  | 8,500  |        | 34,000 | 9,500    | 34,000 | 42,000 | 600               | 2,720 | 3,500 | 2.90    | 12.10 | 15.50 | 12.50 |
|      | 9            | 9  | 9  | 12 |    | 39    | 7,850                  | 7,850 | 7,850  | 10,450 |        | 34,000 | 9,500    | 34,000 | 42,000 | 600               | 2,720 | 3,500 | 2.90    | 12.10 | 15.50 | 12.50 |
|      | 9            | 9  | 9  | 15 |    | 42    | 7,290                  | 7,290 | 7,290  | 12,130 |        | 34,000 | 9,500    | 34,000 | 42,000 | 600               | 2,720 | 3,500 | 2.90    | 12.10 | 15.50 | 12.50 |
|      | 9            | 9  | 9  | 18 |    | 45    | 6,800                  | 6,800 | 6,800  | 13,600 |        | 34,000 | 9,500    | 34,000 | 42,000 | 600               | 2,720 | 3,500 | 2.90    | 12.10 | 15.50 | 12.50 |
|      | 9            | 9  | 12 | 12 |    | 42    | 7,290                  | 7,290 | 9,710  | 9,710  |        | 34,000 | 9,500    | 34,000 | 42,000 | 600               | 2,720 | 3,500 | 2.90    | 12.10 | 15.50 | 12.50 |
|      | 9            | 9  | 12 | 15 |    | 45    | 6,800                  | 6,800 | 9,070  | 11,330 |        | 34,000 | 9,500    | 34,000 | 42,000 | 600               | 2,720 | 3,500 | 2.90    | 12.10 | 15.50 | 12.50 |
|      | 9            | 9  | 12 | 18 |    | 48    | 6,380                  | 6,380 | 8,500  | 12,740 |        | 34,000 | 9,500    | 34,000 | 42,000 | 600               | 2,720 | 3,500 | 2.90    | 12.10 | 15.50 | 12.50 |
|      | 9            | 9  | 15 | 15 |    | 48    | 6,380                  | 6,380 | 10,620 | 10,620 |        | 34,000 | 9,500    | 34,000 | 42,000 | 600               | 2,720 | 3,500 | 2.90    | 12.10 | 15.50 | 12.50 |
|      | 9            | 12 | 12 | 12 |    | 45    | 6,790                  | 9,070 | 9,070  | 9,070  |        | 34,000 | 9,500    | 34,000 | 42,000 | 600               | 2,720 | 3,500 | 2.90    | 12.10 | 15.50 | 12.50 |
|      | 9            | 12 | 12 | 15 |    | 48    | 6,380                  | 8,500 | 8,500  | 10,620 |        | 34,000 | 9,500    | 34,000 | 42,000 | 600               | 2,720 | 3,500 | 2.90    | 12.10 | 15.50 | 12.50 |
| 12   | 12           | 12 | 12 |    | 48 | 8,500 | 8,500                  | 8,500 | 8,500  |        | 34,000 | 9,500  | 34,000   | 42,000 | 600    | 2,720             | 3,500 | 2.90  | 12.10   | 15.50 | 12.50 |       |

# MULTI-ZONE SYSTEM COMBINATIONS

## MMLD036S6M-1P

### Heating (Non Ducted)

| Unit | Indoor Index |    |    |   |    |        | Heating Capacity (btu) |        |        |   |        |        | Capacity |        |        | Power Consumption |       |       | Current |       |       | COP   |
|------|--------------|----|----|---|----|--------|------------------------|--------|--------|---|--------|--------|----------|--------|--------|-------------------|-------|-------|---------|-------|-------|-------|
|      | A            | B  | C  | D | E  | TTL    | A                      | B      | C      | D | E      | TTL    | btu      |        |        | W                 |       |       | A       |       |       | W/W   |
|      |              |    |    |   |    |        |                        |        |        |   |        |        | MIN      | Rated  | MAX    | MIN               | Rated | MAX   | MIN     | Rated | MAX   | Rated |
| 2    | 7            | 7  |    |   |    | 14     | 7,500                  | 7,500  |        |   |        | 15,000 | 7,600    | 15,000 | 27,000 | 450               | 1,260 | 2,180 | 2.20    | 5.60  | 9.70  | 3.49  |
|      | 7            | 9  |    |   |    | 16     | 8,050                  | 10,350 |        |   |        | 18,400 | 7,600    | 18,400 | 30,000 | 450               | 1,530 | 2,420 | 2.20    | 6.80  | 10.70 | 3.52  |
|      | 7            | 12 |    |   |    | 19     | 8,030                  | 13,770 |        |   |        | 21,800 | 7,600    | 21,800 | 32,000 | 450               | 1,710 | 2,800 | 2.20    | 7.60  | 12.40 | 3.74  |
|      | 7            | 15 |    |   |    | 22     | 7,950                  | 17,050 |        |   |        | 25,000 | 7,600    | 25,000 | 32,000 | 450               | 1,880 | 2,800 | 2.20    | 8.30  | 12.40 | 3.90  |
|      | 7            | 18 |    |   |    | 25     | 7,000                  | 18,000 |        |   |        | 25,000 | 7,600    | 25,000 | 32,000 | 450               | 1,880 | 2,800 | 2.20    | 8.30  | 12.40 | 3.90  |
|      | 7            | 24 |    |   |    | 31     | 6,460                  | 22,140 |        |   |        | 28,600 | 7,600    | 28,600 | 41,000 | 450               | 2,260 | 3,440 | 2.20    | 10.00 | 15.30 | 3.71  |
|      | 9            | 9  |    |   |    | 18     | 10,900                 | 10,900 |        |   |        | 21,800 | 7,600    | 21,800 | 32,000 | 450               | 1,710 | 2,650 | 2.20    | 7.60  | 11.80 | 3.74  |
|      | 9            | 12 |    |   |    | 21     | 10,670                 | 14,230 |        |   |        | 24,900 | 7,600    | 24,900 | 32,000 | 450               | 1,860 | 2,800 | 2.20    | 8.30  | 12.40 | 3.92  |
|      | 9            | 15 |    |   |    | 24     | 9,380                  | 15,620 |        |   |        | 25,000 | 7,600    | 25,000 | 32,000 | 450               | 1,880 | 2,800 | 2.20    | 8.30  | 12.40 | 3.90  |
|      | 9            | 18 |    |   |    | 27     | 8,330                  | 16,670 |        |   |        | 25,000 | 7,600    | 25,000 | 41,000 | 450               | 1,880 | 3,440 | 2.20    | 8.30  | 15.30 | 3.90  |
|      | 9            | 24 |    |   |    | 33     | 7,800                  | 20,800 |        |   |        | 28,600 | 7,600    | 28,600 | 41,000 | 450               | 2,260 | 3,440 | 2.20    | 10.00 | 15.30 | 3.71  |
|      | 12           | 12 |    |   |    | 24     | 12,500                 | 12,500 |        |   |        | 25,000 | 7,600    | 25,000 | 32,000 | 450               | 1,880 | 2,800 | 2.20    | 8.30  | 12.40 | 3.90  |
|      | 12           | 15 |    |   |    | 27     | 11,110                 | 13,890 |        |   |        | 25,000 | 7,600    | 25,000 | 41,000 | 450               | 1,880 | 3,440 | 2.20    | 8.30  | 15.30 | 3.90  |
|      | 12           | 18 |    |   |    | 30     | 10,000                 | 15,000 |        |   |        | 25,000 | 7,600    | 25,000 | 41,000 | 450               | 1,880 | 3,440 | 2.20    | 8.30  | 15.30 | 3.90  |
|      | 12           | 24 |    |   |    | 36     | 9,530                  | 19,070 |        |   |        | 28,600 | 7,600    | 28,600 | 42,000 | 450               | 2,260 | 3,440 | 2.20    | 10.00 | 15.30 | 3.71  |
|      | 15           | 15 |    |   |    | 30     | 12,500                 | 12,500 |        |   |        | 25,000 | 7,600    | 25,000 | 41,000 | 450               | 1,880 | 3,440 | 2.20    | 8.30  | 15.30 | 3.90  |
|      | 15           | 18 |    |   |    | 33     | 13,000                 | 15,600 |        |   |        | 28,600 | 7,600    | 28,600 | 41,000 | 450               | 2,260 | 3,440 | 2.20    | 10.00 | 15.30 | 3.71  |
|      | 15           | 24 |    |   |    | 39     | 11,000                 | 17,600 |        |   |        | 28,600 | 7,600    | 28,600 | 42,000 | 450               | 2,260 | 3,440 | 2.20    | 10.00 | 15.30 | 3.71  |
|      | 18           | 18 |    |   |    | 36     | 14,300                 | 14,300 |        |   |        | 28,600 | 7,600    | 28,600 | 42,000 | 450               | 2,260 | 3,440 | 2.20    | 10.00 | 15.30 | 3.71  |
|      | 18           | 24 |    |   |    | 42     | 15,690                 | 20,910 |        |   |        | 36,600 | 7,600    | 36,600 | 48,000 | 450               | 2,900 | 4,600 | 2.20    | 12.90 | 20.40 | 3.70  |
| 24   | 24           |    |    |   | 48 | 18,300 | 18,300                 |        |        |   | 36,600 | 7,600  | 36,600   | 48,000 | 450    | 2,900             | 4,600 | 2.20  | 12.90   | 20.40 | 3.70  |       |
| 3    | 7            | 7  | 7  |   |    | 21     | 7,330                  | 7,330  | 7,340  |   |        | 22,000 | 7,600    | 22,000 | 32,000 | 450               | 1,390 | 2,400 | 2.20    | 6.20  | 10.60 | 4.64  |
|      | 7            | 7  | 9  |   |    | 23     | 7,610                  | 7,610  | 9,780  |   |        | 25,000 | 7,600    | 25,000 | 37,000 | 450               | 1,560 | 2,920 | 2.20    | 6.90  | 13.00 | 4.70  |
|      | 7            | 7  | 12 |   |    | 26     | 7,270                  | 7,270  | 12,460 |   |        | 27,000 | 7,600    | 27,000 | 42,000 | 450               | 1,800 | 3,440 | 2.20    | 8.00  | 15.30 | 4.40  |
|      | 7            | 7  | 15 |   |    | 29     | 6,900                  | 6,900  | 14,800 |   |        | 28,600 | 7,600    | 28,600 | 42,000 | 450               | 2,200 | 3,440 | 2.20    | 9.80  | 15.30 | 3.81  |
|      | 7            | 7  | 18 |   |    | 32     | 6,260                  | 6,260  | 16,080 |   |        | 28,600 | 7,600    | 28,600 | 42,000 | 450               | 2,200 | 3,440 | 2.20    | 9.80  | 15.30 | 3.81  |
|      | 7            | 7  | 24 |   |    | 38     | 5,270                  | 5,270  | 18,060 |   |        | 28,600 | 7,600    | 28,600 | 47,000 | 450               | 2,330 | 4,500 | 2.20    | 10.30 | 20.00 | 3.60  |
|      | 7            | 9  | 9  |   |    | 25     | 7,000                  | 9,000  | 9,000  |   |        | 25,000 | 7,600    | 25,000 | 42,000 | 450               | 1,560 | 3,440 | 2.20    | 6.90  | 15.30 | 4.70  |
|      | 7            | 9  | 12 |   |    | 28     | 7,150                  | 9,190  | 12,260 |   |        | 28,600 | 7,600    | 28,600 | 42,000 | 450               | 2,200 | 3,440 | 2.20    | 9.80  | 15.30 | 3.81  |
|      | 7            | 9  | 15 |   |    | 31     | 6,460                  | 8,300  | 13,840 |   |        | 28,600 | 7,600    | 28,600 | 42,000 | 450               | 2,200 | 3,440 | 2.20    | 9.80  | 15.30 | 3.81  |
|      | 7            | 9  | 18 |   |    | 34     | 5,890                  | 7,570  | 15,140 |   |        | 28,600 | 7,600    | 28,600 | 42,000 | 450               | 2,260 | 3,440 | 2.20    | 10.00 | 15.30 | 3.71  |
|      | 7            | 9  | 24 |   |    | 40     | 5,010                  | 6,440  | 17,150 |   |        | 28,600 | 7,600    | 28,600 | 50,800 | 450               | 2,230 | 4,600 | 2.20    | 9.90  | 20.40 | 3.76  |
|      | 7            | 12 | 12 |   |    | 31     | 6,460                  | 11,070 | 11,070 |   |        | 28,600 | 7,600    | 28,600 | 42,000 | 450               | 2,200 | 3,440 | 2.20    | 9.80  | 15.30 | 3.81  |
|      | 7            | 12 | 15 |   |    | 34     | 5,890                  | 10,090 | 12,620 |   |        | 28,600 | 7,600    | 28,600 | 42,000 | 450               | 2,260 | 3,440 | 2.20    | 10.00 | 15.30 | 3.71  |
|      | 7            | 12 | 18 |   |    | 37     | 5,410                  | 9,280  | 13,910 |   |        | 28,600 | 7,600    | 28,600 | 47,000 | 450               | 2,330 | 4,500 | 2.20    | 10.30 | 20.00 | 3.60  |
|      | 7            | 12 | 24 |   |    | 43     | 5,960                  | 10,210 | 20,430 |   |        | 36,600 | 7,600    | 36,600 | 53,500 | 450               | 2,700 | 4,600 | 2.20    | 12.00 | 20.40 | 3.97  |
|      | 7            | 15 | 15 |   |    | 37     | 5,420                  | 11,590 | 11,590 |   |        | 28,600 | 7,600    | 28,600 | 47,000 | 450               | 2,330 | 4,500 | 2.20    | 10.30 | 20.00 | 3.60  |
|      | 7            | 15 | 18 |   |    | 40     | 5,010                  | 10,730 | 12,860 |   |        | 28,600 | 7,600    | 28,600 | 50,800 | 450               | 2,230 | 4,600 | 2.20    | 9.90  | 20.40 | 3.76  |
|      | 7            | 15 | 24 |   |    | 46     | 5,570                  | 11,930 | 19,100 |   |        | 36,600 | 7,600    | 36,600 | 53,500 | 450               | 2,700 | 4,600 | 2.20    | 12.00 | 20.40 | 3.97  |
| 7    | 18           | 18 |    |   | 43 | 5,960  | 15,320                 | 15,320 |        |   | 36,600 | 7,600  | 36,600   | 53,500 | 450    | 2,700             | 4,600 | 2.20  | 12.00   | 20.40 | 3.97  |       |



# MULTI-ZONE SYSTEM COMBINATIONS

## MMLD036S6M-1P

| Unit | Indoor Index |    |    |    |    |        | Heating Capacity (btu) |        |        |        |        |        | Capacity |        |        | Power Consumption |       |       | Current |       |       | COP   |
|------|--------------|----|----|----|----|--------|------------------------|--------|--------|--------|--------|--------|----------|--------|--------|-------------------|-------|-------|---------|-------|-------|-------|
|      | A            | B  | C  | D  | E  | TTL    | A                      | B      | C      | D      | E      | TTL    | btu      |        |        | W                 |       |       | A       |       |       | W/W   |
|      |              |    |    |    |    |        |                        |        |        |        |        |        | MIN      | Rated  | MAX    | MIN               | Rated | MAX   | MIN     | Rated | MAX   | Rated |
| 3    | 9            | 9  | 9  |    |    | 27     | 9,330                  | 9,330  | 9,340  |        |        | 28,000 | 7,600    | 28,000 | 42,000 | 450               | 2,000 | 3,440 | 2.20    | 8.90  | 15.30 | 4.10  |
|      | 9            | 9  | 12 |    |    | 30     | 8,580                  | 8,580  | 11,440 |        |        | 28,600 | 7,600    | 28,600 | 42,000 | 450               | 2,200 | 3,440 | 2.20    | 9.80  | 15.30 | 3.81  |
|      | 9            | 9  | 15 |    |    | 33     | 7,800                  | 7,800  | 13,000 |        |        | 28,600 | 7,600    | 28,600 | 42,000 | 450               | 2,260 | 3,440 | 2.20    | 10.00 | 15.30 | 3.71  |
|      | 9            | 9  | 18 |    |    | 36     | 7,150                  | 7,150  | 14,300 |        |        | 28,600 | 7,600    | 28,600 | 47,000 | 450               | 2,330 | 4,500 | 2.20    | 10.30 | 20.00 | 3.60  |
|      | 9            | 9  | 24 |    |    | 42     | 7,840                  | 7,840  | 20,920 |        |        | 36,600 | 7,600    | 36,600 | 53,500 | 450               | 2,700 | 4,600 | 2.20    | 12.00 | 20.40 | 3.97  |
|      | 9            | 12 | 12 |    |    | 33     | 7,800                  | 10,400 | 10,400 |        |        | 28,600 | 7,600    | 28,600 | 42,000 | 450               | 2,260 | 3,440 | 2.20    | 10.00 | 15.30 | 3.71  |
|      | 9            | 12 | 15 |    |    | 36     | 7,150                  | 9,530  | 11,920 |        |        | 28,600 | 7,600    | 28,600 | 47,000 | 450               | 2,330 | 4,500 | 2.20    | 10.30 | 20.00 | 3.60  |
|      | 9            | 12 | 18 |    |    | 39     | 6,600                  | 8,800  | 13,200 |        |        | 28,600 | 7,600    | 28,600 | 50,800 | 450               | 2,230 | 4,600 | 2.20    | 9.90  | 20.40 | 3.76  |
|      | 9            | 12 | 24 |    |    | 45     | 7,320                  | 9,760  | 19,520 |        |        | 36,600 | 7,600    | 36,600 | 53,500 | 450               | 2,700 | 4,600 | 2.20    | 12.00 | 20.40 | 3.97  |
|      | 9            | 15 | 15 |    |    | 39     | 6,600                  | 11,000 | 11,000 |        |        | 28,600 | 7,600    | 28,600 | 50,800 | 450               | 2,230 | 4,600 | 2.20    | 9.90  | 20.40 | 3.76  |
|      | 9            | 15 | 18 |    |    | 42     | 7,840                  | 13,070 | 15,690 |        |        | 36,600 | 7,600    | 36,600 | 53,500 | 450               | 2,700 | 4,600 | 2.20    | 12.00 | 20.40 | 3.97  |
|      | 9            | 15 | 24 |    |    | 48     | 6,860                  | 11,440 | 18,300 |        |        | 36,600 | 7,600    | 36,600 | 53,500 | 450               | 2,700 | 4,600 | 2.20    | 12.00 | 20.40 | 3.97  |
|      | 9            | 18 | 18 |    |    | 45     | 7,320                  | 14,640 | 14,640 |        |        | 36,600 | 7,600    | 36,600 | 53,500 | 450               | 2,700 | 4,600 | 2.20    | 12.00 | 20.40 | 3.97  |
|      | 12           | 12 | 12 |    |    | 36     | 9,530                  | 9,530  | 9,540  |        |        | 28,600 | 7,600    | 28,600 | 47,000 | 450               | 2,330 | 4,500 | 2.20    | 10.30 | 20.00 | 3.60  |
|      | 12           | 12 | 15 |    |    | 39     | 8,800                  | 8,800  | 11,000 |        |        | 28,600 | 7,600    | 28,600 | 50,800 | 450               | 2,230 | 4,600 | 2.20    | 9.90  | 20.40 | 3.76  |
|      | 12           | 12 | 18 |    |    | 42     | 10,460                 | 10,460 | 15,680 |        |        | 36,600 | 7,600    | 36,600 | 53,500 | 450               | 2,700 | 4,600 | 2.20    | 12.00 | 20.40 | 3.97  |
|      | 12           | 12 | 24 |    |    | 48     | 9,150                  | 9,150  | 18,300 |        |        | 36,600 | 7,600    | 36,600 | 53,500 | 450               | 2,700 | 4,600 | 2.20    | 12.00 | 20.40 | 3.97  |
|      | 12           | 15 | 15 |    |    | 42     | 10,460                 | 13,070 | 13,070 |        |        | 36,600 | 7,600    | 36,600 | 53,500 | 450               | 2,700 | 4,600 | 2.20    | 12.00 | 20.40 | 3.97  |
|      | 12           | 15 | 18 |    |    | 45     | 9,760                  | 12,200 | 14,640 |        |        | 36,600 | 7,600    | 36,600 | 53,500 | 450               | 2,700 | 4,600 | 2.20    | 12.00 | 20.40 | 3.97  |
|      | 12           | 18 | 18 |    |    | 48     | 9,140                  | 13,730 | 13,730 |        |        | 36,600 | 7,600    | 36,600 | 54,500 | 450               | 2,550 | 4,600 | 2.20    | 11.30 | 20.40 | 4.21  |
| 15   | 15           | 15 |    |    | 45 | 12,200 | 12,200                 | 12,200 |        |        | 36,600 | 7,600  | 36,600   | 53,500 | 450    | 2,700             | 4,600 | 2.20  | 12.00   | 20.40 | 3.97  |       |
| 15   | 15           | 18 |    |    | 48 | 11,440 | 11,440                 | 13,720 |        |        | 36,600 | 7,600  | 36,600   | 54,500 | 450    | 2,550             | 4,600 | 2.20  | 11.30   | 20.40 | 4.21  |       |
| 4    | 7            | 7  | 7  | 7  |    | 28     | 7,500                  | 7,500  | 7,500  | 7,500  |        | 30,000 | 7,600    | 30,000 | 47,000 | 450               | 2,100 | 3,570 | 2.20    | 9.30  | 15.80 | 4.19  |
|      | 7            | 7  | 7  | 9  |    | 30     | 7,790                  | 7,790  | 7,790  | 10,030 |        | 33,400 | 7,600    | 33,400 | 50,800 | 450               | 2,330 | 4,090 | 2.20    | 10.30 | 18.10 | 4.20  |
|      | 7            | 7  | 7  | 12 |    | 33     | 7,760                  | 7,760  | 7,760  | 13,320 |        | 36,600 | 7,600    | 36,600 | 54,500 | 450               | 2,550 | 4,600 | 2.20    | 11.30 | 20.40 | 4.21  |
|      | 7            | 7  | 7  | 15 |    | 36     | 7,120                  | 7,120  | 7,120  | 15,240 |        | 36,600 | 7,600    | 36,600 | 54,500 | 450               | 2,550 | 4,600 | 2.20    | 11.30 | 20.40 | 4.21  |
|      | 7            | 7  | 7  | 18 |    | 39     | 6,570                  | 6,570  | 6,570  | 16,890 |        | 36,600 | 7,600    | 36,600 | 54,500 | 450               | 2,550 | 4,600 | 2.20    | 11.30 | 20.40 | 4.21  |
|      | 7            | 7  | 7  | 24 |    | 45     | 5,690                  | 5,690  | 5,690  | 19,530 |        | 36,600 | 7,600    | 36,600 | 54,500 | 450               | 2,550 | 4,600 | 2.20    | 11.30 | 20.40 | 4.21  |
|      | 7            | 7  | 9  | 9  |    | 32     | 8,010                  | 8,010  | 10,290 | 10,290 |        | 36,600 | 7,600    | 36,600 | 54,500 | 450               | 2,550 | 4,600 | 2.20    | 11.30 | 20.40 | 4.21  |
|      | 7            | 7  | 9  | 12 |    | 35     | 7,320                  | 7,320  | 9,410  | 12,550 |        | 36,600 | 7,600    | 36,600 | 54,500 | 450               | 2,550 | 4,600 | 2.20    | 11.30 | 20.40 | 4.21  |
|      | 7            | 7  | 9  | 15 |    | 38     | 6,740                  | 6,740  | 8,670  | 14,450 |        | 36,600 | 7,600    | 36,600 | 54,500 | 450               | 2,550 | 4,600 | 2.20    | 11.30 | 20.40 | 4.21  |
|      | 7            | 7  | 9  | 18 |    | 41     | 6,250                  | 6,250  | 8,030  | 16,070 |        | 36,600 | 7,600    | 36,600 | 54,500 | 450               | 2,550 | 4,600 | 2.20    | 11.30 | 20.40 | 4.21  |
|      | 7            | 7  | 9  | 24 |    | 47     | 5,450                  | 5,450  | 7,010  | 18,690 |        | 36,600 | 7,600    | 36,600 | 54,500 | 450               | 2,550 | 4,600 | 2.20    | 11.30 | 20.40 | 4.21  |
|      | 7            | 7  | 12 | 12 |    | 38     | 6,740                  | 6,740  | 11,560 | 11,560 |        | 36,600 | 7,600    | 36,600 | 54,500 | 450               | 2,550 | 4,600 | 2.20    | 11.30 | 20.40 | 4.21  |
|      | 7            | 7  | 12 | 15 |    | 41     | 6,250                  | 6,250  | 10,710 | 13,390 |        | 36,600 | 7,600    | 36,600 | 54,500 | 450               | 2,550 | 4,600 | 2.20    | 11.30 | 20.40 | 4.21  |
|      | 7            | 7  | 12 | 18 |    | 44     | 5,830                  | 5,820  | 9,980  | 14,970 |        | 36,600 | 7,600    | 36,600 | 54,500 | 450               | 2,550 | 4,600 | 2.20    | 11.30 | 20.40 | 4.21  |
|      | 7            | 7  | 15 | 15 |    | 44     | 5,820                  | 5,820  | 12,480 | 12,480 |        | 36,600 | 7,600    | 36,600 | 54,500 | 450               | 2,550 | 4,600 | 2.20    | 11.30 | 20.40 | 4.21  |
|      | 7            | 7  | 15 | 18 |    | 47     | 5,450                  | 5,450  | 11,680 | 14,020 |        | 36,600 | 7,600    | 36,600 | 54,500 | 450               | 2,550 | 4,600 | 2.20    | 11.30 | 20.40 | 4.21  |
|      | 7            | 9  | 9  | 9  |    | 34     | 7,530                  | 9,690  | 9,690  | 9,690  |        | 36,600 | 7,600    | 36,600 | 54,500 | 450               | 2,550 | 4,600 | 2.20    | 11.30 | 20.40 | 4.21  |
|      | 7            | 9  | 9  | 12 |    | 37     | 6,930                  | 8,900  | 8,900  | 11,870 |        | 36,600 | 7,600    | 36,600 | 54,500 | 450               | 2,550 | 4,600 | 2.20    | 11.30 | 20.40 | 4.21  |
|      | 7            | 9  | 9  | 15 |    | 40     | 6,410                  | 8,240  | 8,240  | 13,710 |        | 36,600 | 7,600    | 36,600 | 54,500 | 450               | 2,550 | 4,600 | 2.20    | 11.30 | 20.40 | 4.21  |
|      | 7            | 9  | 9  | 18 |    | 43     | 5,960                  | 7,660  | 7,660  | 15,320 |        | 36,600 | 7,600    | 36,600 | 54,500 | 450               | 2,550 | 4,600 | 2.20    | 11.30 | 20.40 | 4.21  |
| 7    | 9            | 12 | 12 |    | 40 | 6,400  | 8,240                  | 10,980 | 10,980 |        | 36,600 | 7,600  | 36,600   | 54,500 | 450    | 2,550             | 4,600 | 2.20  | 11.30   | 20.40 | 4.21  |       |
| 7    | 9            | 12 | 15 |    | 43 | 5,960  | 7,660                  | 10,210 | 12,770 |        | 36,600 | 7,600  | 36,600   | 54,500 | 450    | 2,550             | 4,600 | 2.20  | 11.30   | 20.40 | 4.21  |       |
| 7    | 9            | 12 | 18 |    | 46 | 5,570  | 7,160                  | 9,550  | 14,320 |        | 36,600 | 7,600  | 36,600   | 54,500 | 450    | 2,550             | 4,600 | 2.20  | 11.30   | 20.40 | 4.21  |       |
| 7    | 9            | 15 | 15 |    | 46 | 5,580  | 7,160                  | 11,930 | 11,930 |        | 36,600 | 7,600  | 36,600   | 54,500 | 450    | 2,550             | 4,600 | 2.20  | 11.30   | 20.40 | 4.21  |       |
| 7    | 12           | 12 | 12 |    | 43 | 5,970  | 10,210                 | 10,210 | 10,210 |        | 36,600 | 7,600  | 36,600   | 54,500 | 450    | 2,550             | 4,600 | 2.20  | 11.30   | 20.40 | 4.21  |       |
| 7    | 12           | 12 | 15 |    | 46 | 5,570  | 9,550                  | 9,550  | 11,930 |        | 36,600 | 7,600  | 36,600   | 54,500 | 450    | 2,550             | 4,600 | 2.20  | 11.30   | 20.40 | 4.21  |       |

# MULTI-ZONE SYSTEM COMBINATIONS

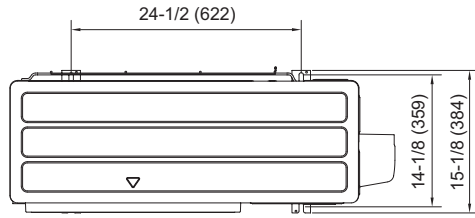
## MMLD036S6M-1P

| Unit | Indoor Index |    |    |    |    |       | Heating Capacity (btu) |       |        |        |        |        | Capacity |        |        | Power Consumption |       |       | Current |       |       | COP   |
|------|--------------|----|----|----|----|-------|------------------------|-------|--------|--------|--------|--------|----------|--------|--------|-------------------|-------|-------|---------|-------|-------|-------|
|      | A            | B  | C  | D  | E  | TTL   | A                      | B     | C      | D      | E      | TTL    | btu      |        |        | W                 |       |       | A       |       |       | W/W   |
|      |              |    |    |    |    |       |                        |       |        |        |        |        | MIN      | Rated  | MAX    | MIN               | Rated | MAX   | MIN     | Rated | MAX   | Rated |
| 4    | 9            | 9  | 9  | 9  |    | 36    | 9,150                  | 9,150 | 9,150  | 9,150  |        | 36,600 | 7,600    | 36,600 | 54,500 | 450               | 2,550 | 4,600 | 2.20    | 11.30 | 20.40 | 4.21  |
|      | 9            | 9  | 9  | 12 |    | 39    | 8,450                  | 8,450 | 8,450  | 11,250 |        | 36,600 | 7,600    | 36,600 | 54,500 | 450               | 2,550 | 4,600 | 2.20    | 11.30 | 20.40 | 4.21  |
|      | 9            | 9  | 9  | 15 |    | 42    | 7,840                  | 7,840 | 7,840  | 13,080 |        | 36,600 | 7,600    | 36,600 | 54,500 | 450               | 2,550 | 4,600 | 2.20    | 11.30 | 20.40 | 4.21  |
|      | 9            | 9  | 9  | 18 |    | 45    | 7,320                  | 7,320 | 7,320  | 14,640 |        | 36,600 | 7,600    | 36,600 | 54,500 | 450               | 2,550 | 4,600 | 2.20    | 11.30 | 20.40 | 4.21  |
|      | 9            | 9  | 12 | 12 |    | 42    | 7,840                  | 7,840 | 10,460 | 10,460 |        | 36,600 | 7,600    | 36,600 | 54,500 | 450               | 2,550 | 4,600 | 2.20    | 11.30 | 20.40 | 4.21  |
|      | 9            | 9  | 12 | 15 |    | 45    | 7,320                  | 7,320 | 9,760  | 12,200 |        | 36,600 | 7,600    | 36,600 | 54,500 | 450               | 2,550 | 4,600 | 2.20    | 11.30 | 20.40 | 4.21  |
|      | 9            | 9  | 12 | 18 |    | 48    | 6,860                  | 6,860 | 9,150  | 13,730 |        | 36,600 | 7,600    | 36,600 | 54,500 | 450               | 2,550 | 4,600 | 2.20    | 11.30 | 20.40 | 4.21  |
|      | 9            | 9  | 15 | 15 |    | 48    | 6,860                  | 6,860 | 11,440 | 11,440 |        | 36,600 | 7,600    | 36,600 | 54,500 | 450               | 2,550 | 4,600 | 2.20    | 11.30 | 20.40 | 4.21  |
|      | 9            | 12 | 12 | 12 |    | 45    | 7,320                  | 9,760 | 9,760  | 9,760  |        | 36,600 | 7,600    | 36,600 | 54,500 | 450               | 2,550 | 4,600 | 2.20    | 11.30 | 20.40 | 4.21  |
|      | 9            | 12 | 12 | 15 |    | 48    | 6,860                  | 9,150 | 9,150  | 11,440 |        | 36,600 | 7,600    | 36,600 | 54,500 | 450               | 2,550 | 4,600 | 2.20    | 11.30 | 20.40 | 4.21  |
| 12   | 12           | 12 | 12 |    | 48 | 9,150 | 9,150                  | 9,150 | 9,150  |        | 36,600 | 7,600  | 36,600   | 54,500 | 450    | 2,550             | 4,600 | 2.20  | 11.30   | 20.40 | 4.21  |       |

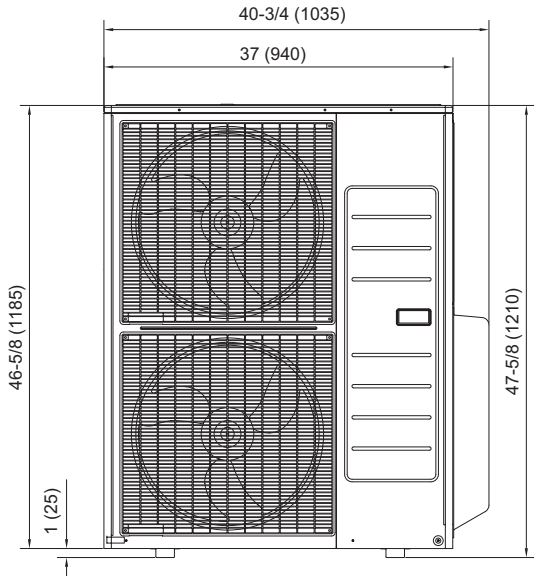
### NOTE

1. Cooling capacity is based on 80°FDB(26.7°CDB) / 80°FDB(19.4°CWB) (indoor temperature), 95°FDB(35°CDB) (outdoor temperature).
2. Heating capacity is based on 70°FDB(21.1°CDB) (indoor temperature), 47°FDB(8.33°CDB) / 43°FDB(6.11°CWB) (outdoor temperature).
3. Capacities are based on the following conditions:  
- Corresponding refrigerant piping length : 24.6ft(7.5m) / - Level difference : 0m
4. The total combination Index of connected a indoor unit is up to 48.
5. At least two indoor units must be connected for operation.
6. Also, Refer to the table for combinations that include non-duct and Medium Static Concealed Ducted indoor units.

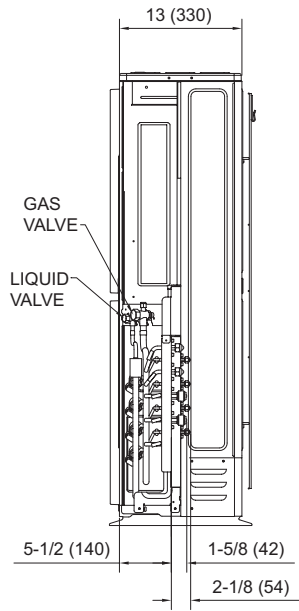
**MMLD020S6M | MMLD024S6M, MMLD030S6M, MMLD036S6M**



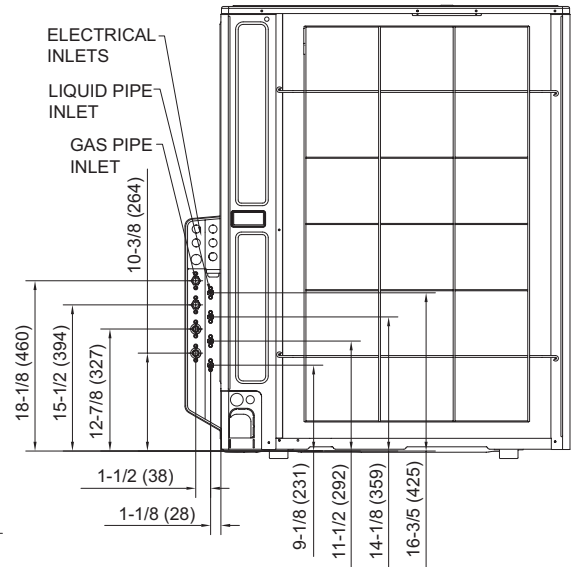
**TOP VIEW**



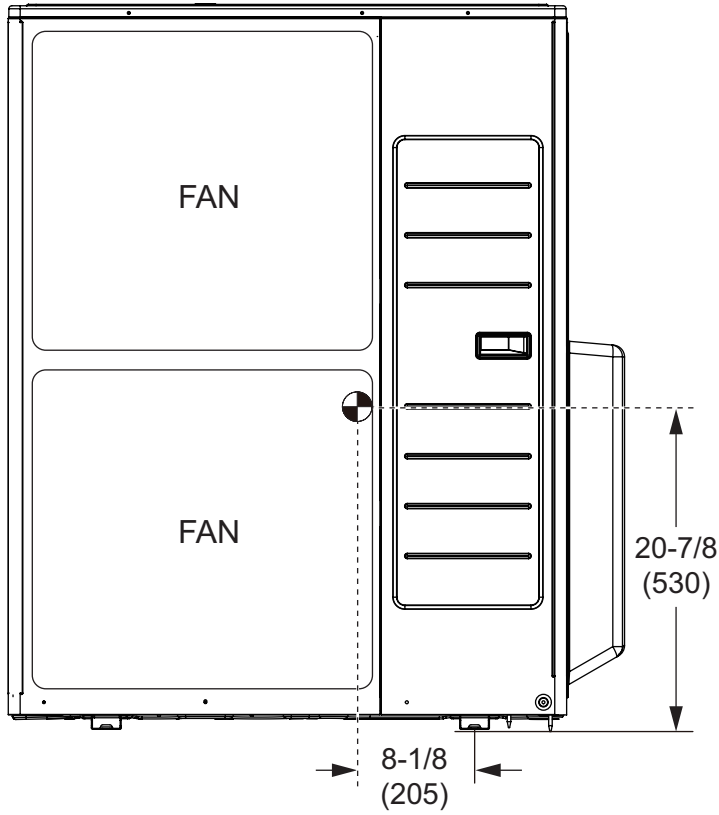
**FRONT VIEW**



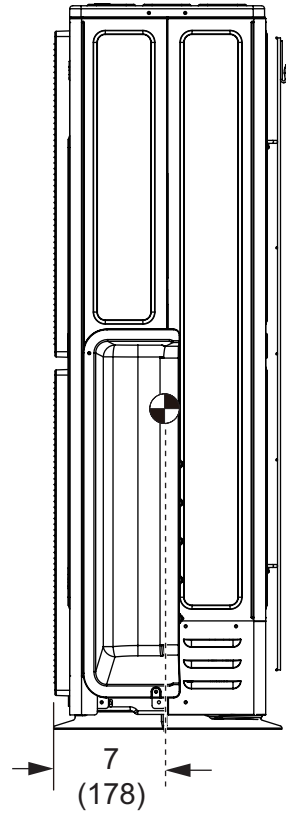
**SIDE VIEW**



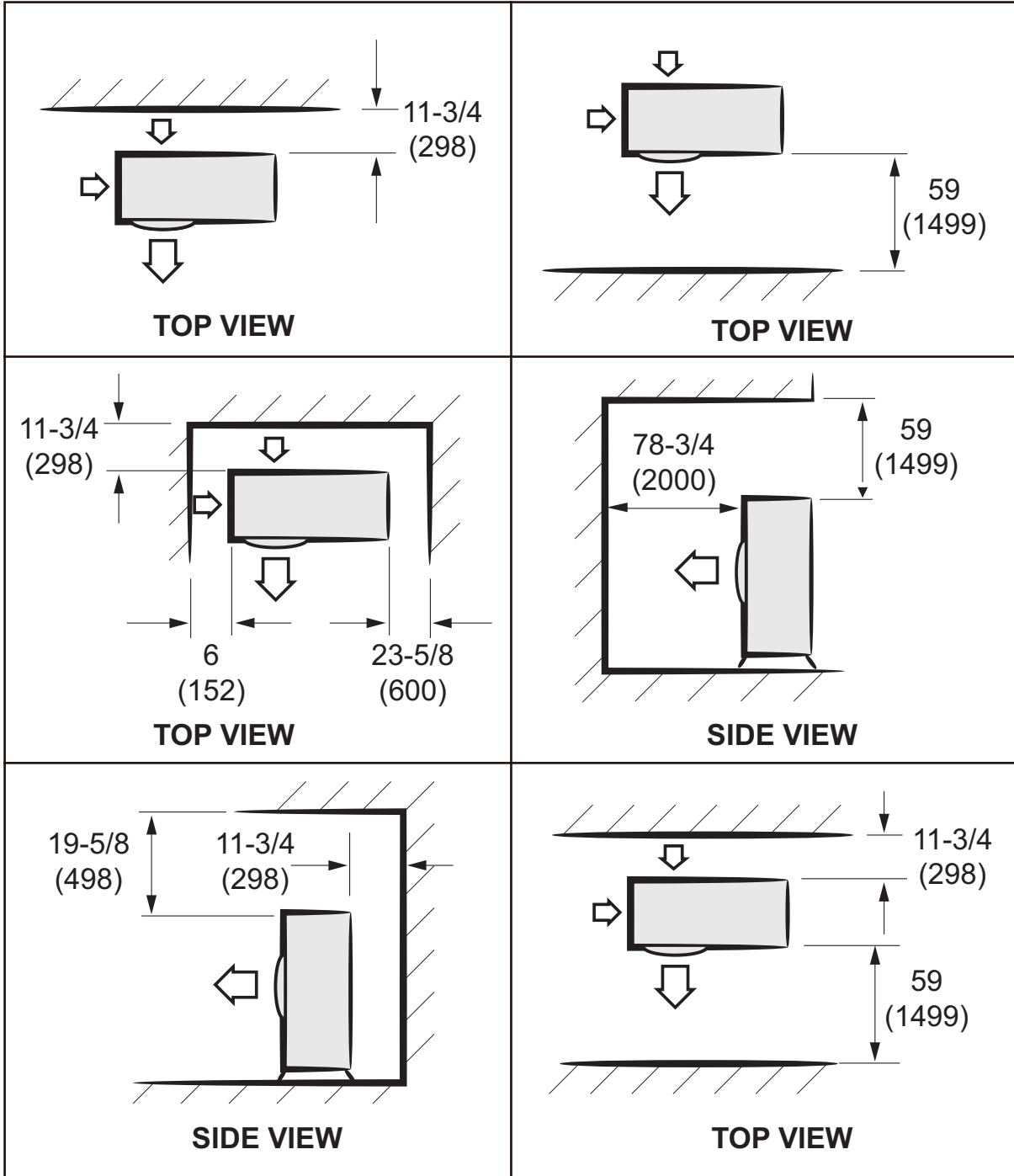
**BACK VIEW**

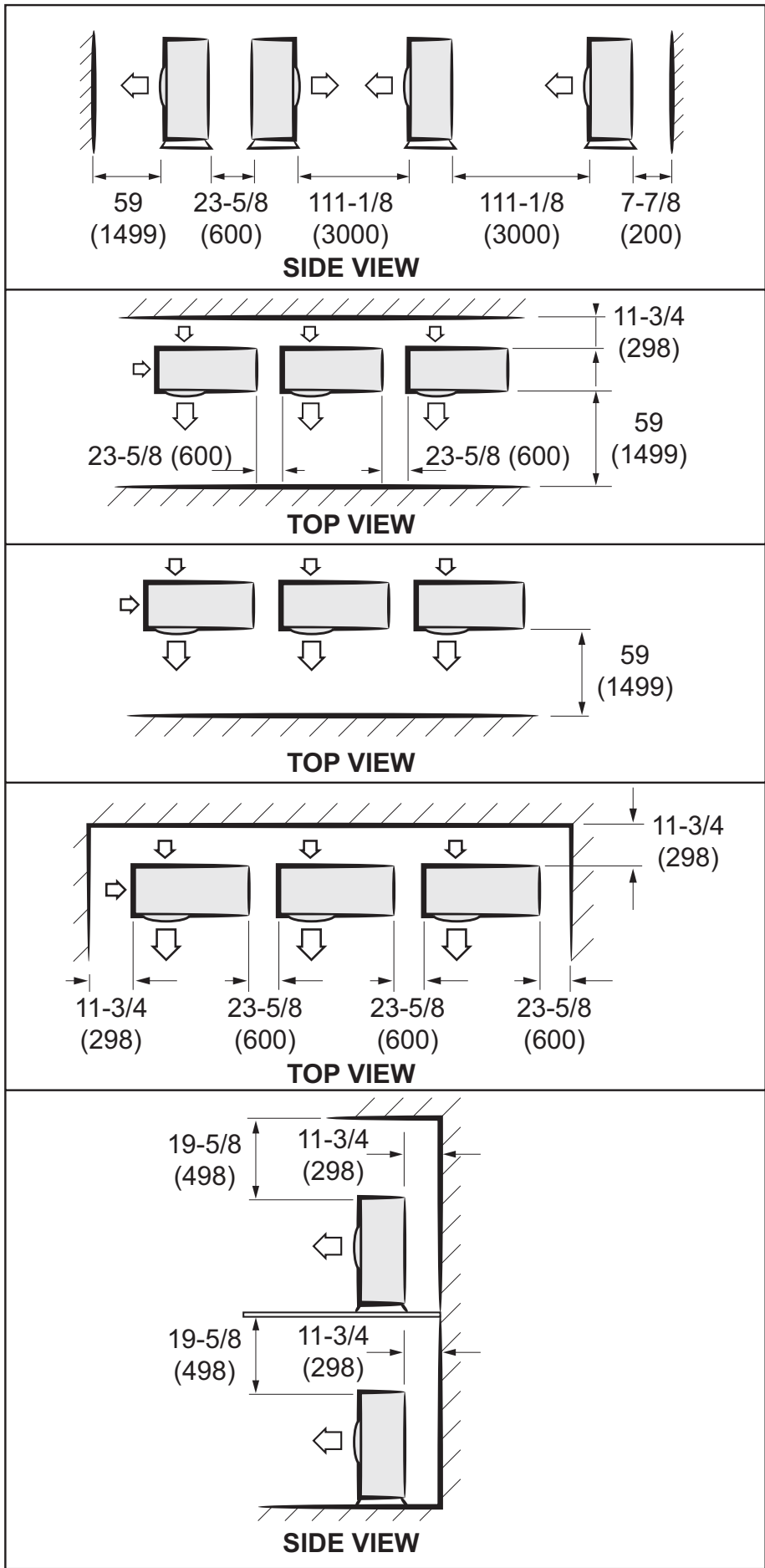


**FRONT VIEW**



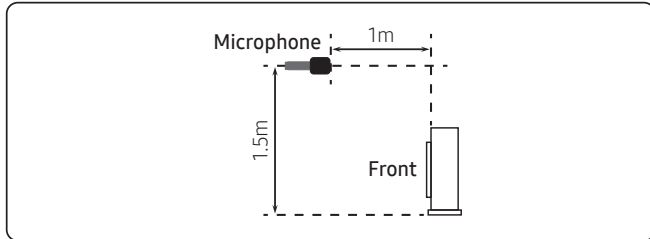
**SIDE VIEW**





**Sound Pressure level**

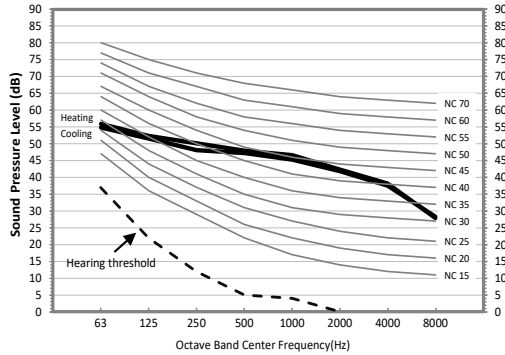
Unit : dB(A)



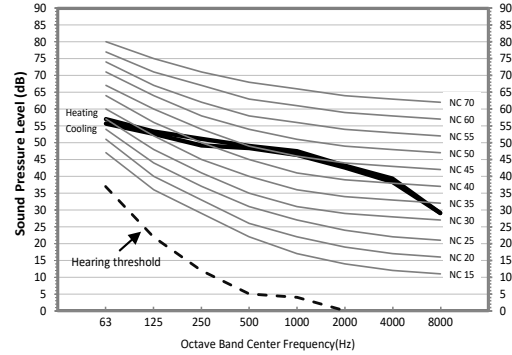
| Model         | Cooling | Heating |
|---------------|---------|---------|
| MMLD020S6M-1P | 50      | 51      |
| MMLD024S6M-1P | 51      | 52      |
| MMLD030S6M-1P | 52      | 53      |
| MMLD036S6M-1P | 52      | 53      |

• NC Curve

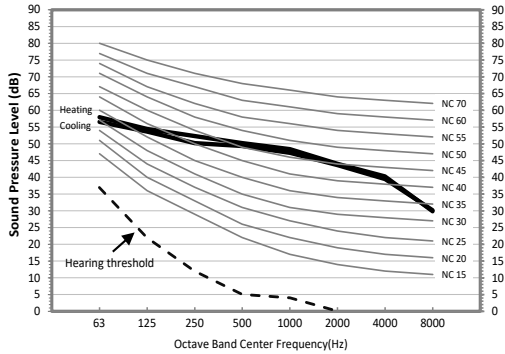
1) MMLD020S6M-1P



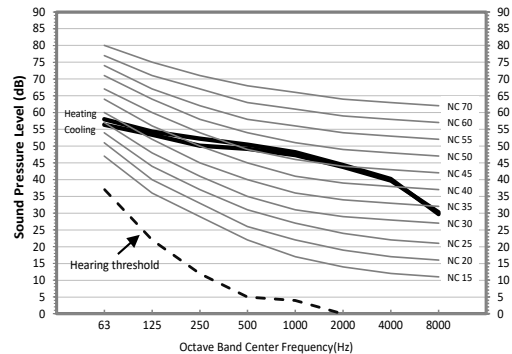
2) MMLD024S6M-1P



3) MMLD030S6M-1P



4) MMLD036S6M-1P

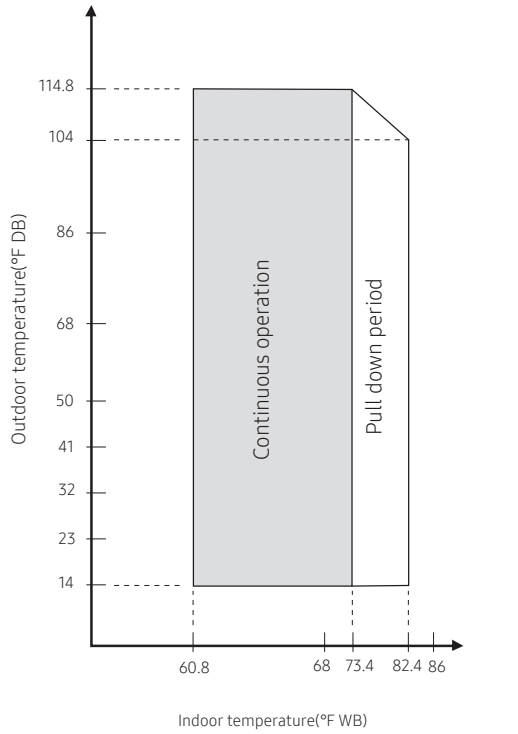


**NOTE**

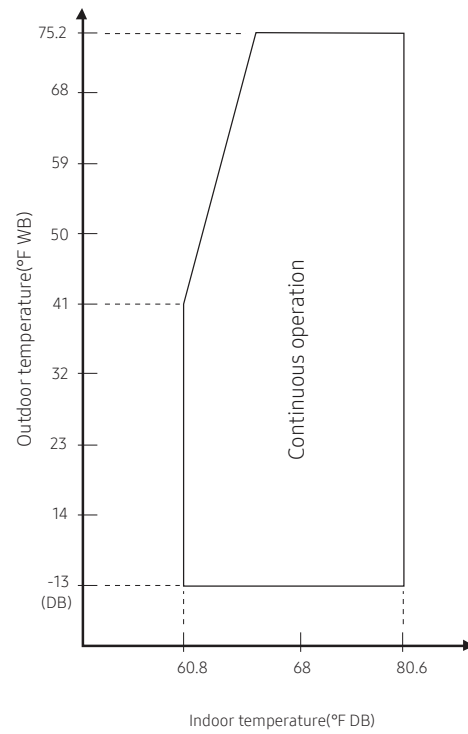
- Sound Pressure Level
  - Sound pressure level is obtained in an anechoic room.
  - Sound pressure level is a relative value, depending on the distance and acoustic environment.
  - Sound pressure level may differ depending on operation condition.
  - dBA = A-weighted sound pressure level
  - Reference acoustic pressure 0 dB = 20μPa

# OPERATION RANGE

## Cooling



## Heating



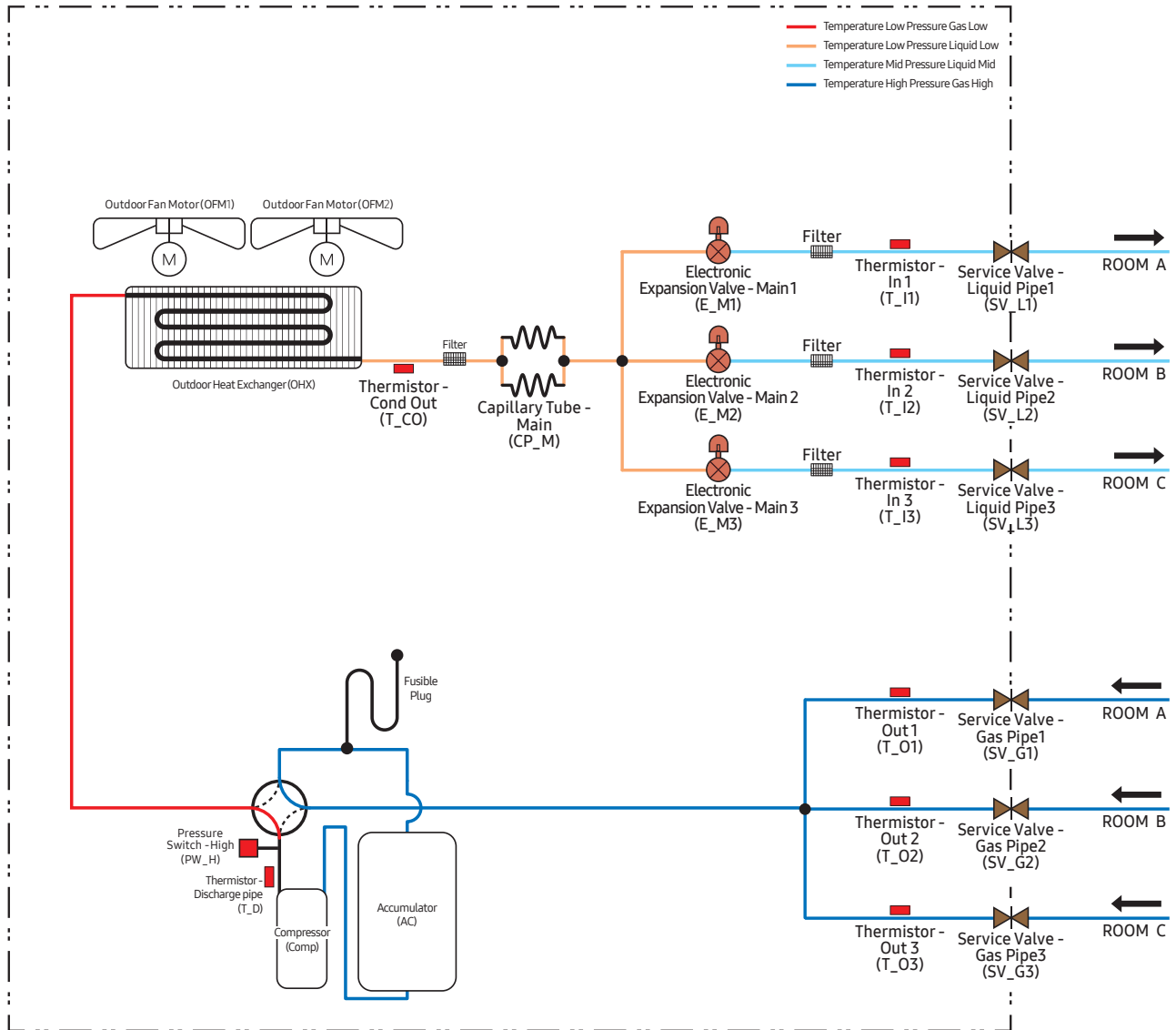
### NOTE

- The graphs are based on the following conditions.
  - 1) Equivalent piping length : 7.5m (24.6ft)
  - 2) Level difference 0m (0ft)
  - 3) Air flow rate High



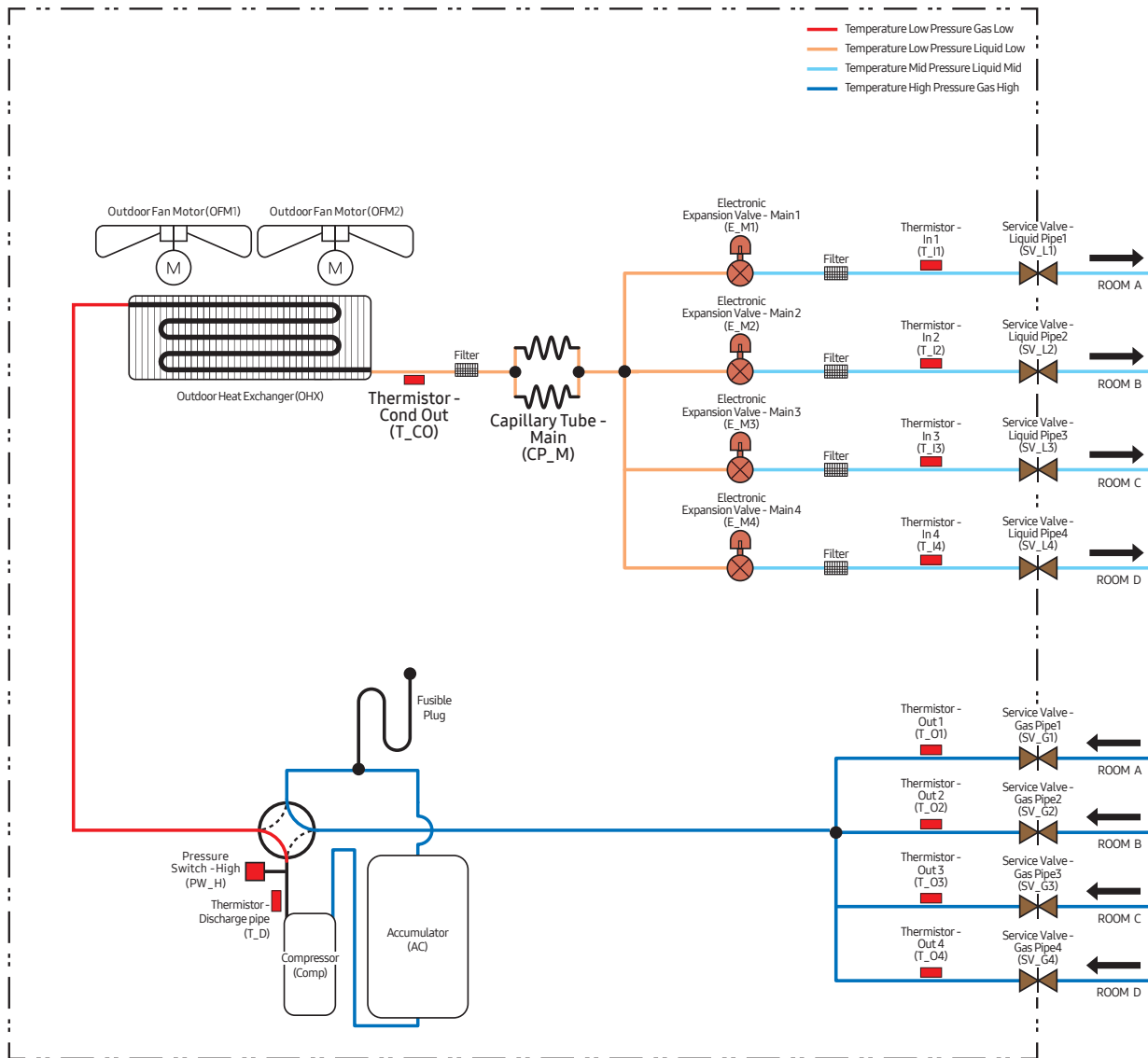
# PIPING DIAGRAM

MMLD020S6M-1P



# PIPING DIAGRAM

MMLD024S6M-1P, MMLD030S6M-1P, MMLD036S6M-1P





Visit us at [www.Lennox.com](http://www.Lennox.com)  
For the latest technical information, [www.LennoxPros.com](http://www.LennoxPros.com)  
Contact us at 1-800-9-LENNOX

NOTE - Due to Lennox' ongoing commitment to quality, Specifications, Ratings and Dimensions subject to change without notice and without incurring liability. Improper installation, adjustment, alteration, service or maintenance can cause property damage or personal injury. Installation and service must be performed by a qualified installer and servicing agency.

©2025 Lennox Industries, Inc.