

STONE
LOOK

USAGE



FLOOR



WALL



COUNTERTOP



SHOWER
FLOOR



EXTERIOR
FLOOR



STEPWISE™



TRU-EDGE™



MADE IN
THE U.S.A.



LARGE
FORMAT



MOSAIC/
DECO



ENCAUSTIC



TERRAZZO



PAVER



CUSTOMIZE



FLEXFIT™



CG
SLIP-
GRADE



LOW HIGH

SPECIAL FEATURES



CORE FUNDAMENTALS™ CHOICE

THE **CHOICE TIER** HIGHLIGHTS THE BASICS WITH A VARIETY OF FLOOR TILE AND MOSAICS. EXCELLENT FOR EVERYDAY USE.

NOT APPLICABLE
FOR ALL PRODUCTS
IN THIS SERIES. SEE CHARTS
FOR FULL PRODUCT DETAILS.

CORE FUNDAMENTALS™ – CHOICE

GLAZED CERAMIC FLOOR & MOSAICS

STONE LOOK FINISHES: MATTE

FLOOR TILE



WEATHERED WHITE SQ20



BURROW BEIGE SQ21



SHADOW GREY SQ22

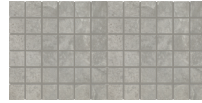
2 x 2 MOSAIC



WEATHERED WHITE SQ20



BURROW BEIGE SQ21



SHADOW GREY SQ22

AVAILABLE TILE SIZES



18 x 18
Floor Tile



12 x 24
Floor Tile



12 x 12
Floor Tile



2 x 2
Mosaic

STONE LOOK FINISHES: MATTE

FLOOR TILE



IVORY AR04



CASPER AR05



FAWN AR02

AVAILABLE TILE SIZES



15 x 15
Floor Tile



12 x 24
Floor Tile



12 x 12
Floor Tile

STONE LOOK FINISHES: MATTE

FLOOR TILE



FAIR CS22

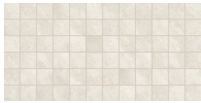


BUFF CS20

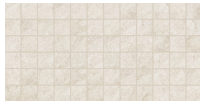


IRON CS23

2 x 2 MOSAIC



FAIR CS22



BUFF CS20



IRON CS23

AVAILABLE TILE SIZES



18 x 18
Floor Tile



12 x 24
Floor Tile



12 x 12
Floor Tile



2 x 2
Mosaic

STONE LOOK FINISHES: MATTE

FLOOR TILE



EVEREST WHITE CG05



TWILIGHT GREY CG07



CALM BEIGE CG08

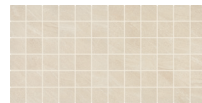
2 x 2 MOSAIC



EVEREST WHITE CG05



TWILIGHT GREY CG07



CALM BEIGE CG08

AVAILABLE TILE SIZES



18 x 18
Floor Tile



12 x 24
Floor Tile



12 x 12
Floor Tile



2 x 2
Mosaic


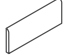




FOR COMPLETE PRODUCT INFORMATION, PLEASE VISIT WWW.DAL TILE/CORE-FUNDAMENTALS

CORE FUNDAMENTALS™ – CHOICE

AVAILABLE SIZE & TRIM SHAPES

CHOICE

PLEASE REFER TO THE CHART BELOW FOR AVAILABILITY BASED ON COLOR CODE

FLOOR			THICKNESS	FLOOR TRIM		
	18 x 18 Floor Tile	17-11/16" x 17-11/16" (45.01 cm x 45.01 cm)	5/16"		P43C9	3 x 12 Floor Bullnose
	15 x 15 Floor Tile	14-5/8" x 14-5/8" (37.30 cm x 37.30 cm)	5/16"			
	12 x 24 Floor Tile	11-13/16" x 23-11/16" (30.02 cm x 60.12 cm)	5/16"			
	12 x 12 Floor Tile	11-13/16" x 11-13/16" (30.02 cm x 30.02 cm)	5/16"			
MOSAICS			THICKNESS			
	2 x 2 Mosaic Dot-mounted	(12" x 24" Sheet) (30.48 cm x 60.96 cm Sheet)	1/4"			

COLOR #	COLOR NAME	PAGE #	FLOOR				MOSAIC	
			FIELD TILE					BULLNOSE
			18 x 18	15 x 15	12 x 24	12 x 12		P43C9
AR02	Fawn	5		●	●	●	●	
AR04	Ivory	5		●	●	●	●	
AR05	Casper	5		●	●	●	●	
CG05	Everest White	5	●		●	●	●	
CG07	Twilight Grey	5	●		●	●	●	
CS20	Buff	5	●		●	●	●	●
CS22	Fair	5	●		●	●	●	●
CS23	Iron	5	●		●	●	●	●
SQ20	Weathered White	5	●		●	●	●	●
SQ21	Burrow Beige	5	●		●	●	●	●
SQ22	Shadow Grey	5	●		●	●	●	●

CORE FUNDAMENTALS™ – CHOICE

APPLICATION SPECIFICATIONS

CHOICE – AR02 | AR04 | AR05 | SQ20 | SQ21 | SQ22 | CG05 | CG07

APPLICATIONS

	Target DCOF wet	Suitable
Dry & Level – Interior Floor	N/A	✓
Wet & Level – Interior Floor	≥ 0.42	✓
Shower Floor – Standard Center Drain	≥ 0.42	✓*
Shower Floor – Linear Drain	≥ 0.42	✓*
Exterior Floor Applications (including patios, pool decking & other wet areas with minimal footwear)	≥ 0.60	
Ramps & Inclines	≥ 0.65	
Walls/Backsplashes	N/A	✓
Countertops	N/A	✓
Pool Linings	N/A	✓*



A DCOF value of ≥0.42 is the standard for tiles specified for level interior spaces expected to be walked upon when wet, as stated in ANSI A137.1-A326.3. For more information about DCOF and the DCOF AcuTest™, visit daltile.com/DCOF.

APPLICATION NOTES:

Suitable for exterior applications (provided it is noted as suitable in the applications chart above) in non-freezing climates, when proper installation methods are followed.

* Mosaic tile only.

INSTALLATION

Grout Joint Recommendation	Shade Variation
Floor: 3/16" (Overlap should not exceed 33% when installing tile with a length 15" or greater in a staggered brick-joint pattern.)	 Medium (V2) SQ20, SQ21 & SQ22
Mosaic: 1/8"	 High (V3) AR02, AR04, AR05, CG05 & CG07

PERFORMANCE CHARACTERISTICS

	ASTM#	Result
Water Absorption	C373	< 7.0%
Breaking Strength	C648	> 250 lbf
Scratch Hardness	C1895	8.0
Chemical Resistance	C650	Resistant

For additional information on test results, visit us at: daltile.com/information/TestResults.

DURABILITY

Floor Surface Wear Resistance

1 Residential Bathrooms	③ All Residential / Light Commercial
2 All Residential Areas	4 All Residential / Commercial

CHOICE – CS20 | CS22 | CS23

APPLICATIONS

	Target DCOF wet	Suitable
Dry & Level – Interior Floor	N/A	✓
Wet & Level – Interior Floor	≥ 0.42	✓
Shower Floor – Standard Center Drain	≥ 0.42	✓*
Shower Floor – Linear Drain	≥ 0.42	✓*
Exterior Floor Applications (including patios, pool decking & other wet areas with minimal footwear)	≥ 0.60	
Ramps & Inclines	≥ 0.65	
Walls/Backsplashes	N/A	✓
Countertops	N/A	✓
Pool Linings	N/A	✓*


A DCOF value of ≥0.42 is the standard for tiles specified for level interior spaces expected to be walked upon when wet, as stated in ANSI A137.1-A326.3. For more information about DCOF and the DCOF AcuTest™, visit daltile.com/DCOF.

APPLICATION NOTES:

Suitable for exterior applications (provided it is noted as suitable in the applications chart above) in non-freezing climates, when proper installation methods are followed.

* Mosaic tile only.

INSTALLATION

Grout Joint Recommendation	Shade Variation
Floor: 3/16" (Overlap should not exceed 33% when installing tile with a length 15" or greater in a staggered brick-joint pattern.)	 Medium (V2)
Mosaic: 1/8"	

PERFORMANCE CHARACTERISTICS

	ASTM#	Floor Result	Mosaic Result
Water Absorption	C373	< 7.0%	< 3.0%
Breaking Strength	C648	> 250 lbf	> 250 lbf
Scratch Hardness	C1895	7.0	7.0
Chemical Resistance	C650	Resistant	Resistant

For additional information on test results, visit us at: daltile.com/information/TestResults.

DURABILITY

Floor Surface Wear Resistance

1 Residential Bathrooms	③ All Residential / Light Commercial
2 All Residential Areas	4 All Residential / Commercial