

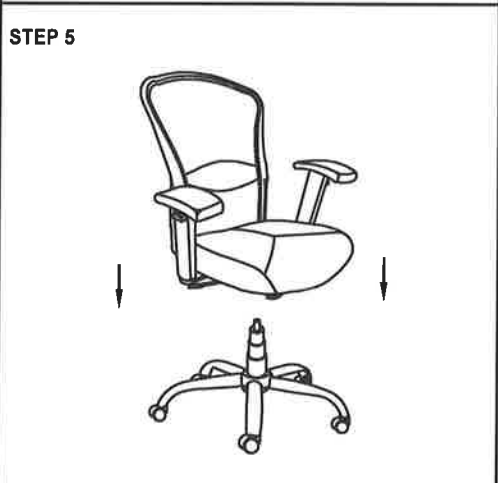
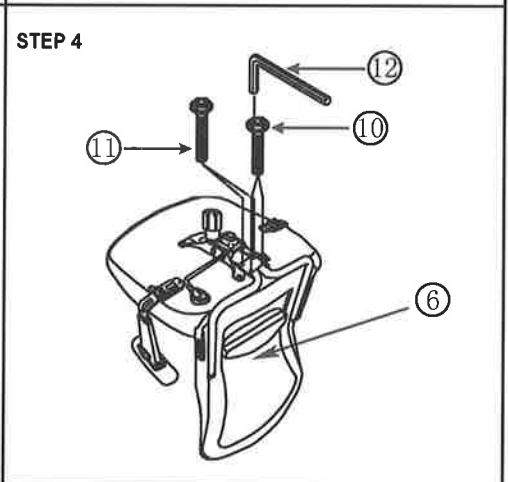
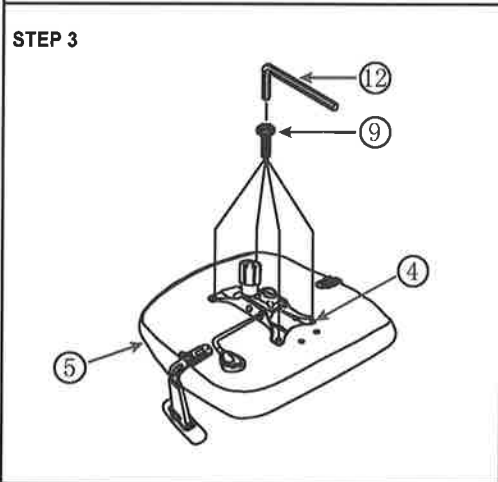
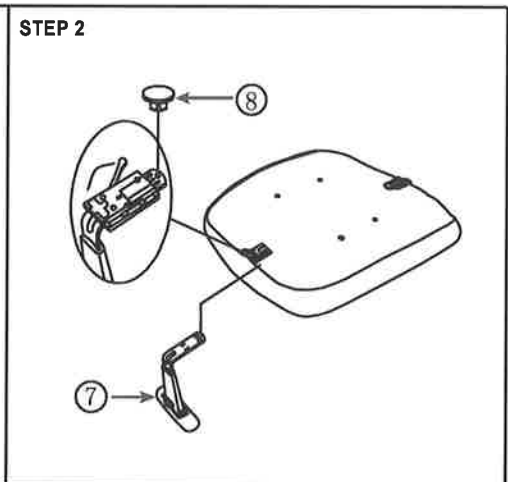
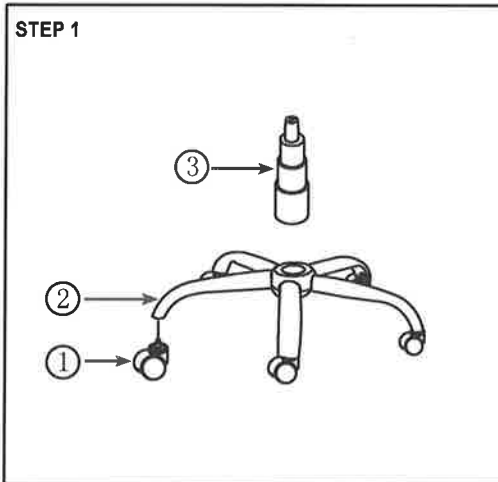
PROMINENCE BIG AND TALL CHAIR ASSEMBLY INSTRUCTIONS



Congratulations on the purchase of your new *Efficient* chair!

PARTS – remove all the parts from the carton and verify part quantities as indicated on this parts list.

①		CASTOR – QTY: 5
②		5-STAR BASE – QTY: 1
③		GAS LIFT – QTY: 1
④		MECHANISM – QTY: 1
⑤		SEAT CUSHION – QTY: 1
⑥		BACK CUSHION – QTY: 1
⑦		ARMREST – QTY: 2
⑧		PLUG – QTY: 2
⑨		1" SCREW – QTY: 4
⑩		1/4" SCREW – QTY: 2
⑪		1-1/2" SCREW – QTY: 2
⑫		ALLEN KEY – QTY: 1



IMPORTANT: This chair is to be used by one person at a time. Be sure all screws are securely tight ened. Save the wrench and periodically tighten the screws. Do not lean the chair back on 2 wheels or use the chair as a stepladder. Use this chair for its intended purpose only.

CUSTOMER SERVICE HOTLINE
800-626-6060