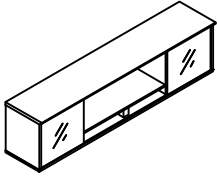
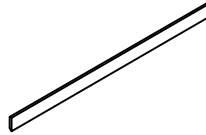


COMPONENTS

(A) Hutch-1pc

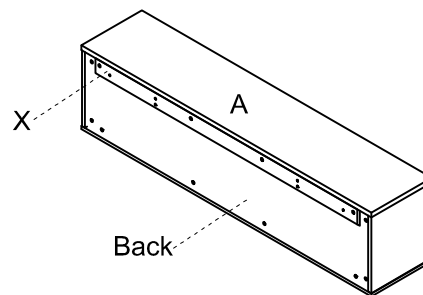
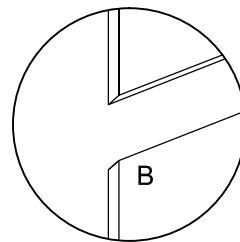
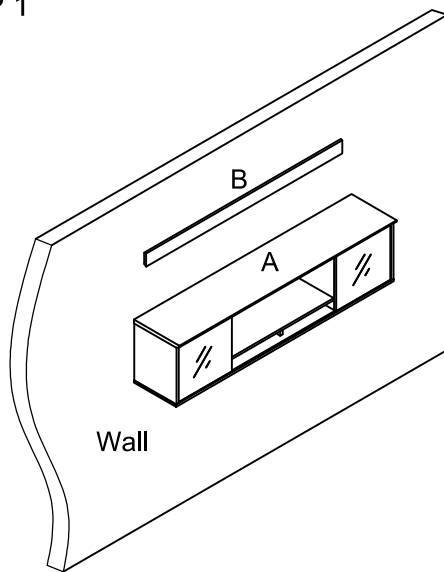


(B) Wall Mounting Board-1pc

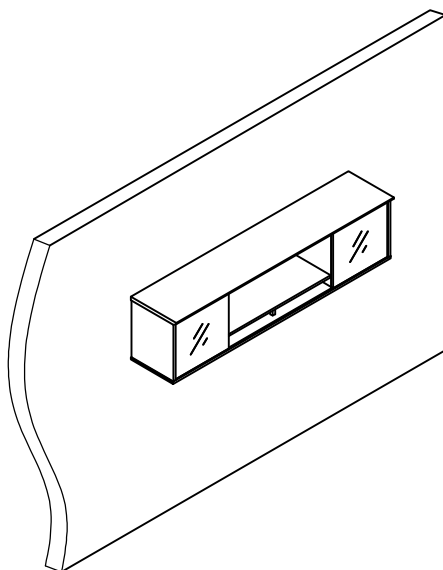


INSTRUCTIONS-To assemble when mounting to wall

STEP 1



COMPLETED

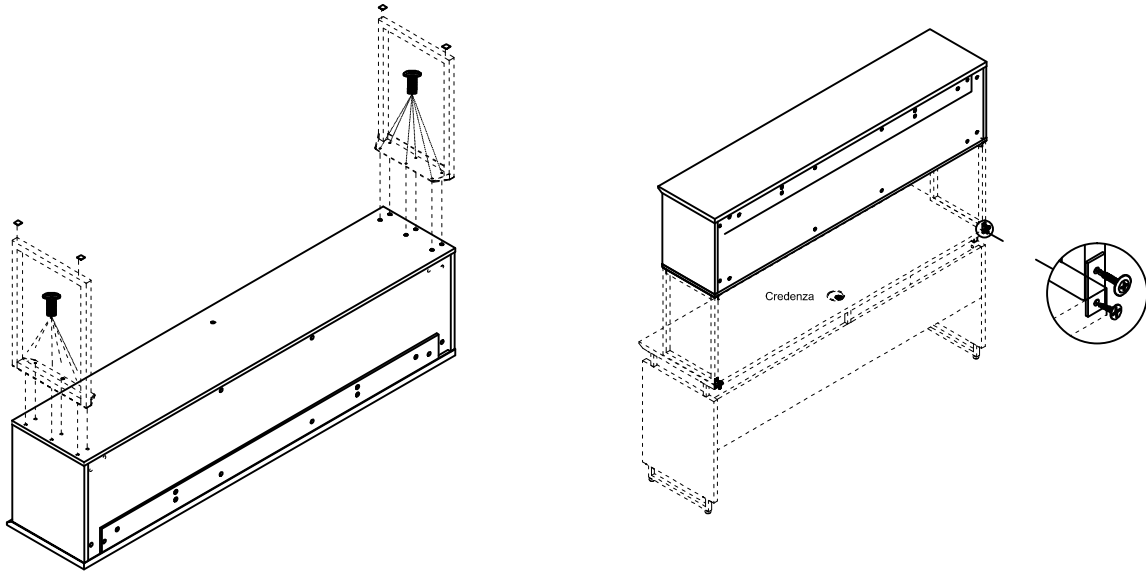


Mounting Board Installation - Due to the various wall construction methods, it is up to a professional installer to secure the Wall Mounting Board (B) to the wall with the proper fasteners and/or anchors as required by the wall construction at the desired mounting location.

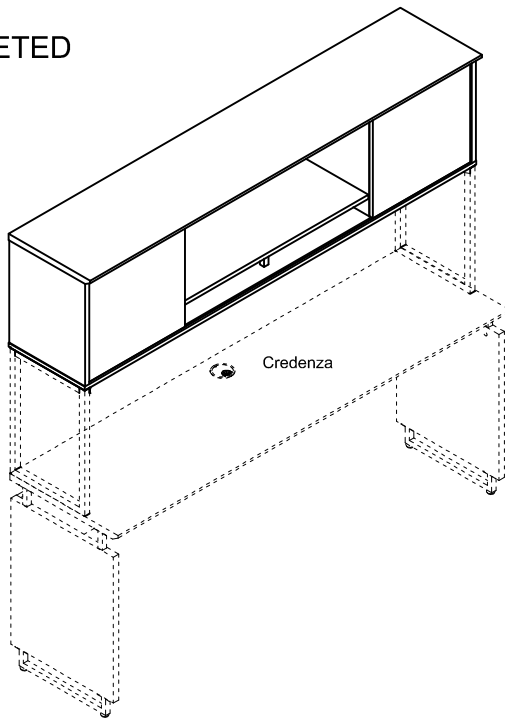
To Hang Cabinet - Position cabinet so that Mounting Board (X) is above Wall Mounting Board (B) and lower cabinet until Mounting Board (X) and Wall Mounting Board (B) lock together.

INSTRUCTIONS -To assemble when putting on credenza

STEP 1



COMPLETED



NOTE:  
Hardware is packed with carton **HHB**