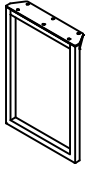


Hutch Base ASSEMBLY INSTRUCTIONS

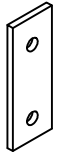
COMPONENTS

(A) Hutch Base-2pcs

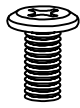


HARDWARE & TOOLS

(B) Mntg Bracket
60*22*3mm-2pcs



(C) Philips Screw
M6X15mm-13pcs



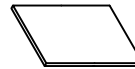
(D) Screw
Ø4X16mm-2pcs



(E) Screw
Ø4.2X16mm-2pcs



(F) Plastic mat
20*20mm-6pcs



Tools Required for Assembly



Philips Screw Driver for

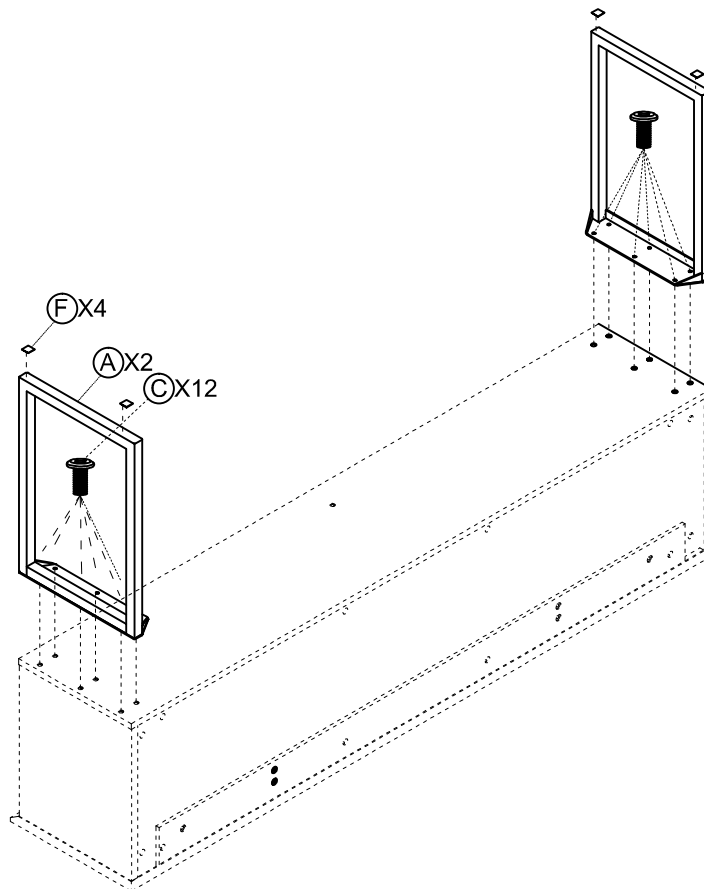
(C) Screw M6X15mm

(D) Screw Ø4X16mm

(E) Screw Ø4.2X16mm

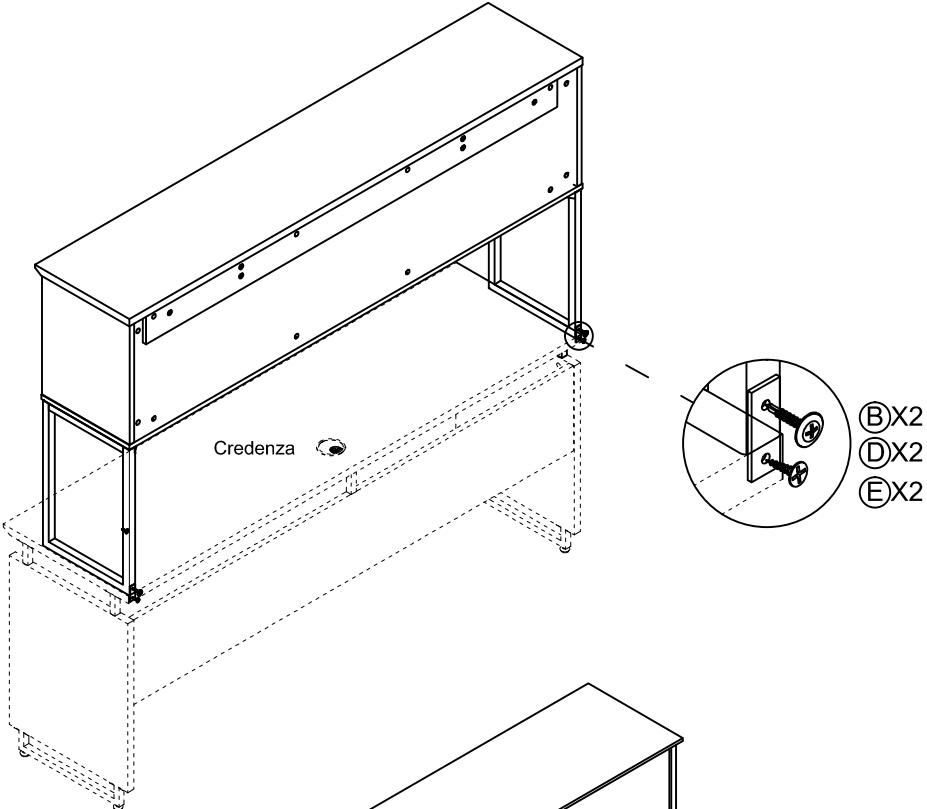
INSTRUCTIONS - Do not use power tools to assemble

STEP 1



INSTRUCTIONS

STEP 2



COMPLETED

