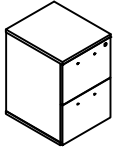


COMPONENTS

(A) FF Pedestal-1pc



HARDWARE & TOOLS

(B) Screw  $\varnothing 4 \times 16\text{mm}$ -22pcs (C) Caster with Lock-2pcs (D) Caster with no Lock-3pcs (E) Keys-1pc



Tools Required for Assembly



Philips Screw Driver for

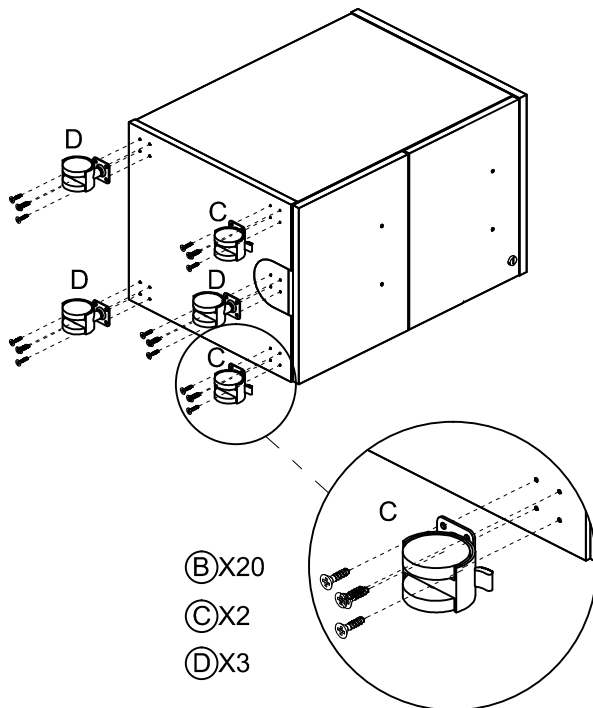
(B) Screw  $\varnothing 5 \times 65\text{mm}$

INSTRUCTIONS - Do not use power tools to assemble

STEP 1

**Note:**

Install the handle from the inside of the drawer to the outside.



STEP 2

