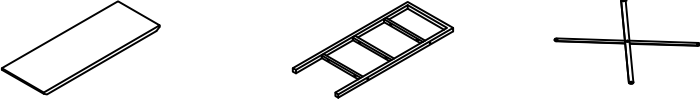


3 Shelf Bookcase
ASSEMBLY INSTRUCTIONS

COMPONENTS

(A) Fixed Shelf-3pcs (B) Metal Frame-2pcs (C) X Bar-1pc

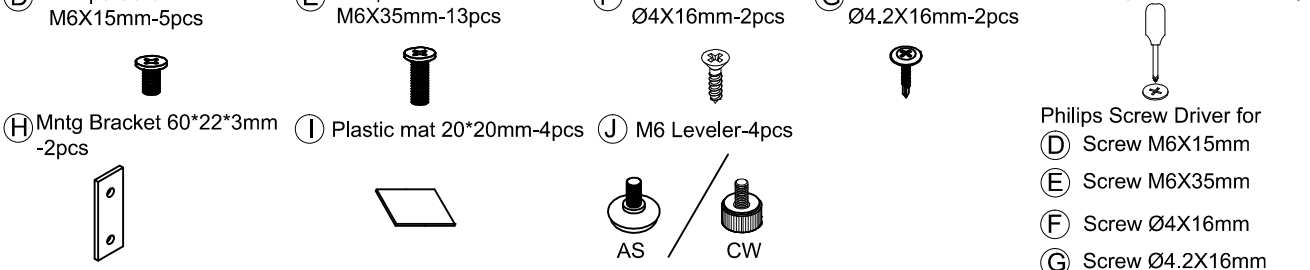


HARDWARE & TOOLS

(D) Philips Screw M6X15mm-5pcs (E) Philips Screw M6X35mm-13pcs (F) Screw Ø4X16mm-2pcs (G) Screw Ø4.2X16mm-2pcs

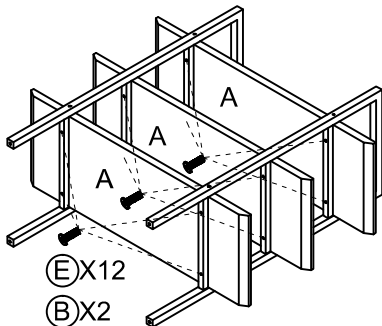
(H) Mntg Bracket 60*22*3mm -2pcs (I) Plastic mat 20*20mm-4pcs (J) M6 Leveler-4pcs

Tools Required for Assembly
Philips Screw Driver for
(D) Screw M6X15mm
(E) Screw M6X35mm
(F) Screw Ø4X16mm
(G) Screw Ø4.2X16mm

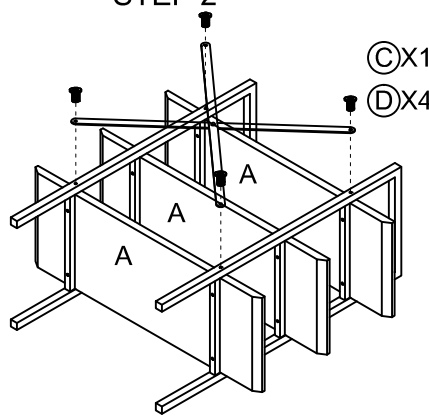


INSTRUCTIONS - Do not use power tools to assemble

STEP 1

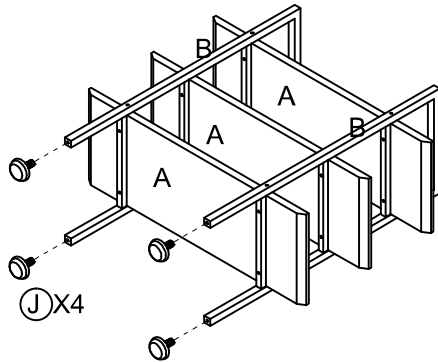


STEP 2



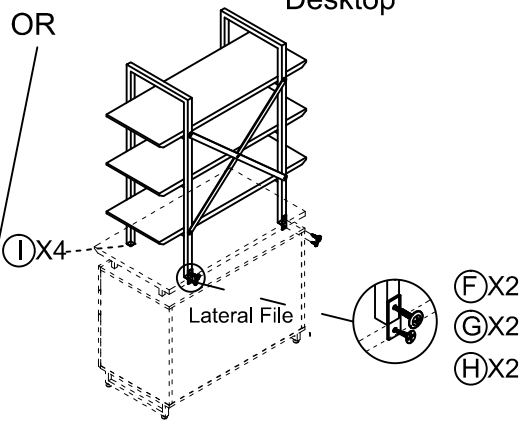
STEP 3

Floor Standing



OR

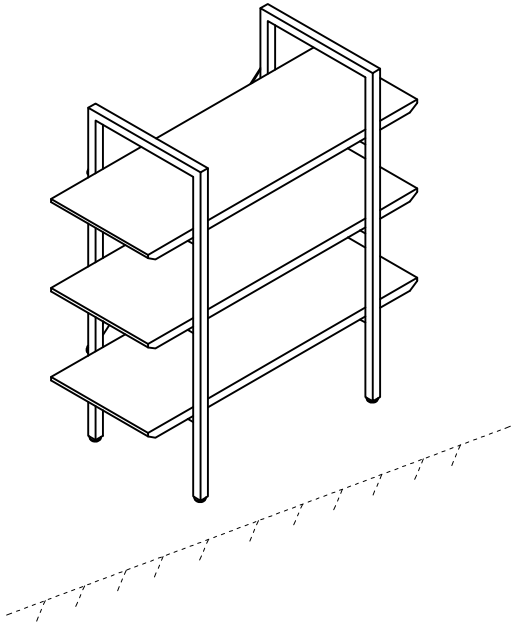
Desktop



INSTRUCTIONS

COMPLETED

Floor Standing



OR

Desktop

