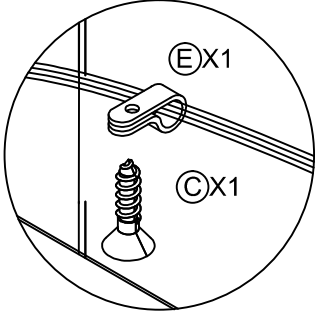
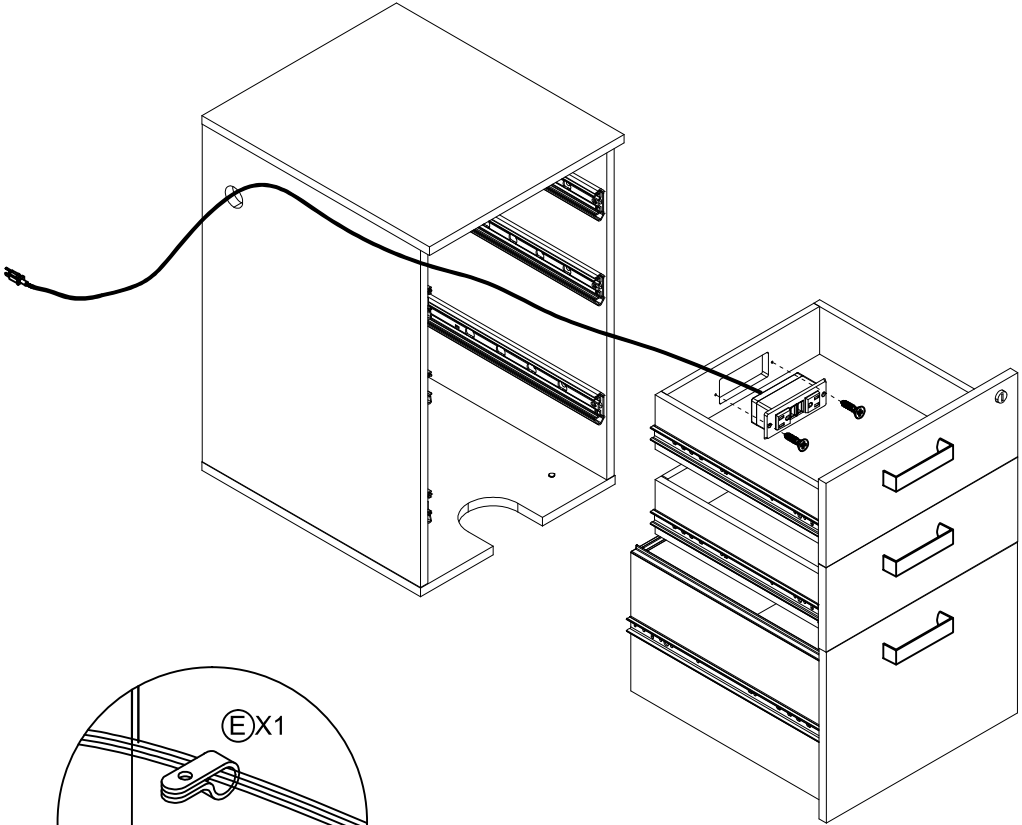
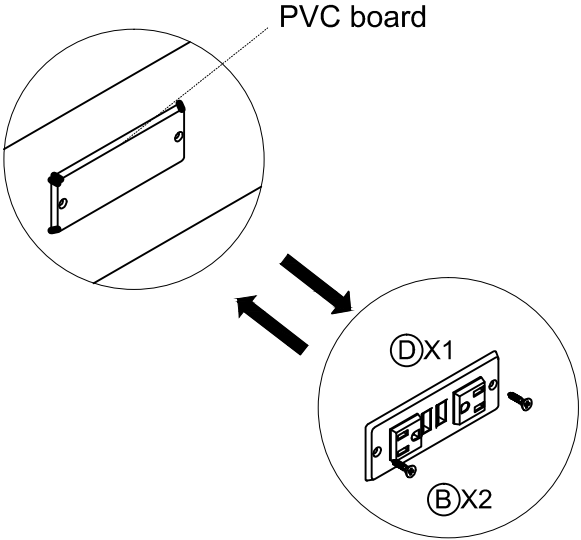


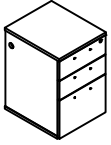
INSTRUCTIONS

Remove the PVC cover, then use screw (B) to install the power unit to the cutout if you choose the power unit; then route the power cords through clips (E). Use screw (B) to install the clips (E) to interior of the cabinet (there is a lead hole for the clip), and pass power cord through the cutout on the side panel.



COMPONENTS

(A) BBF Pedestal-1pc



HARDWARE & TOOLS

(B) Screw Ø4 x 14mm-3pcs



(C) Screw Ø4 x 16mm-22pcs



(D) Power Unit-1pc



(E) Clip-3pcs



Tools Required for Assembly



(F) Keys-1pc



(G) Caster with Lock-2pcs



(H) Caster with no Lock-3pcs



Philips Screw Driver for

(B) Screw Ø4 x 14mm

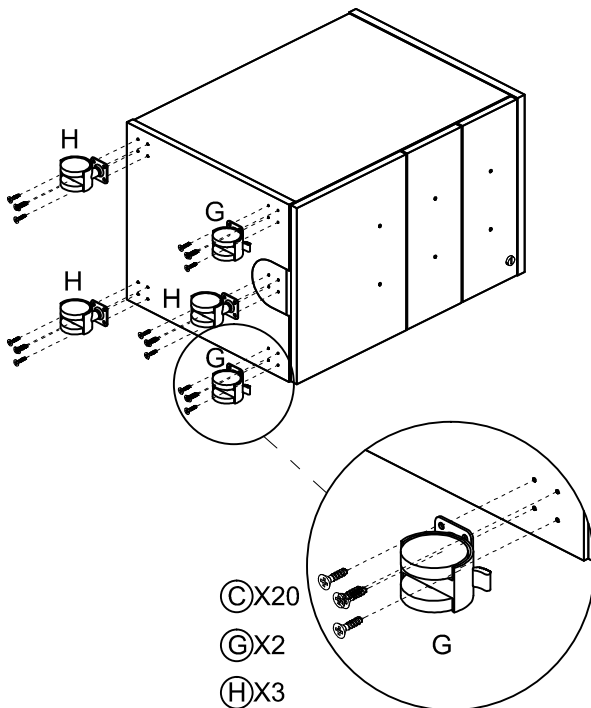
(C) Screw Ø4 x 16mm

INSTRUCTIONS - Do not use power tools to assemble

STEP 1

Note:

Install the handle from the inside of the drawer to the outside.



STEP 2

