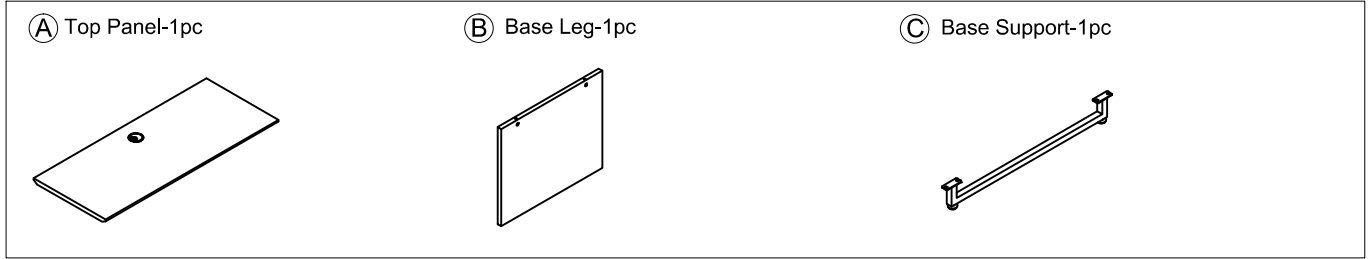
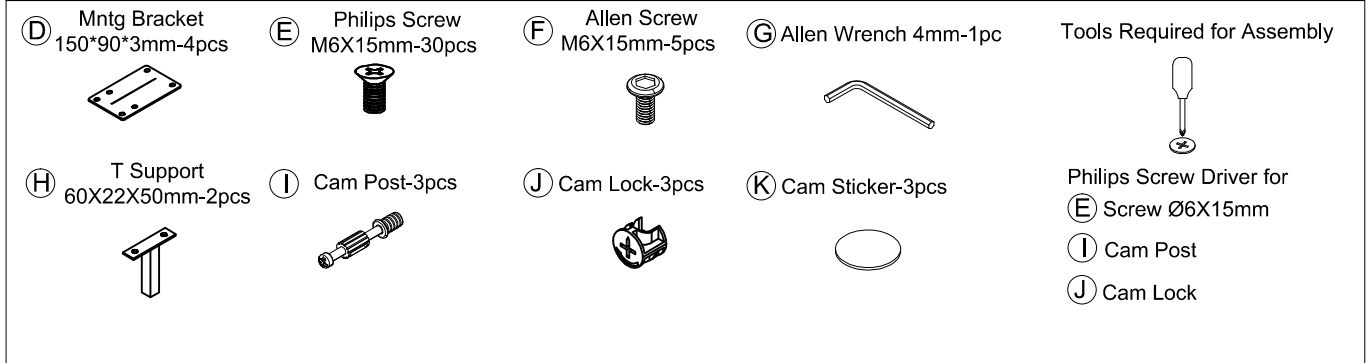


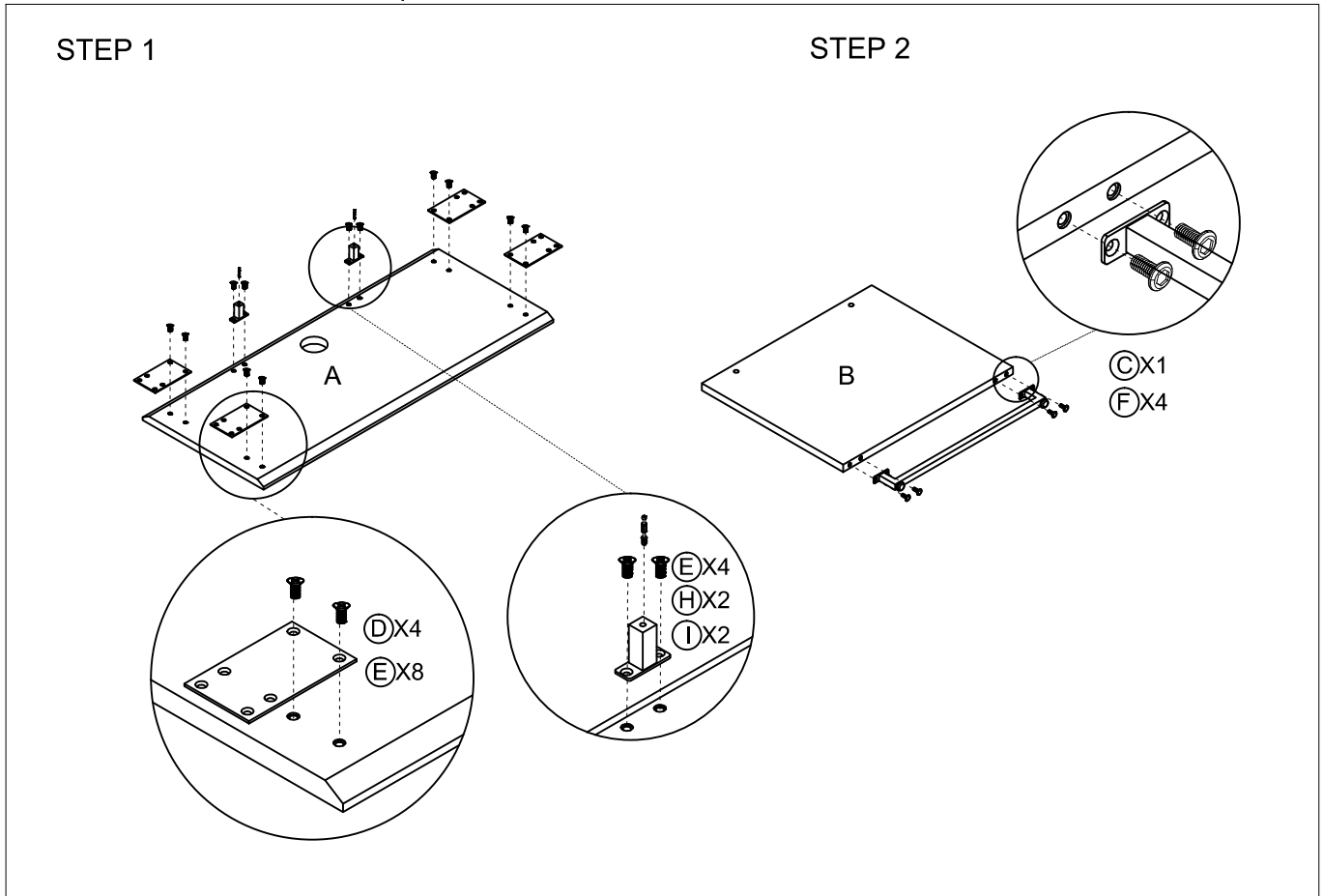
COMPONENTS



HARDWARE & TOOLS

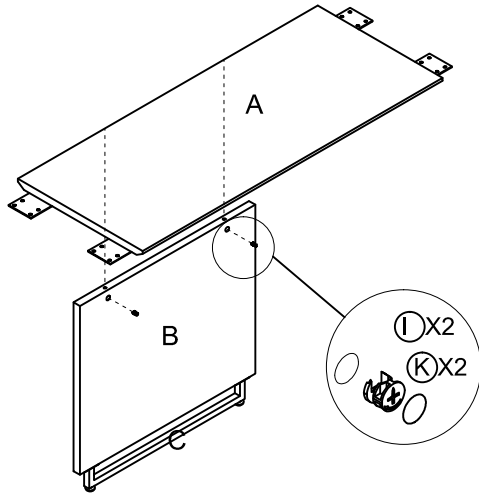


INSTRUCTIONS - Do not use power tools to assemble

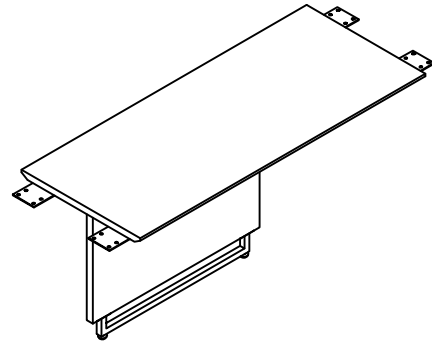


INSTRUCTIONS

STEP 3



STEP 4



STEP 5-Install Right or Left Side

