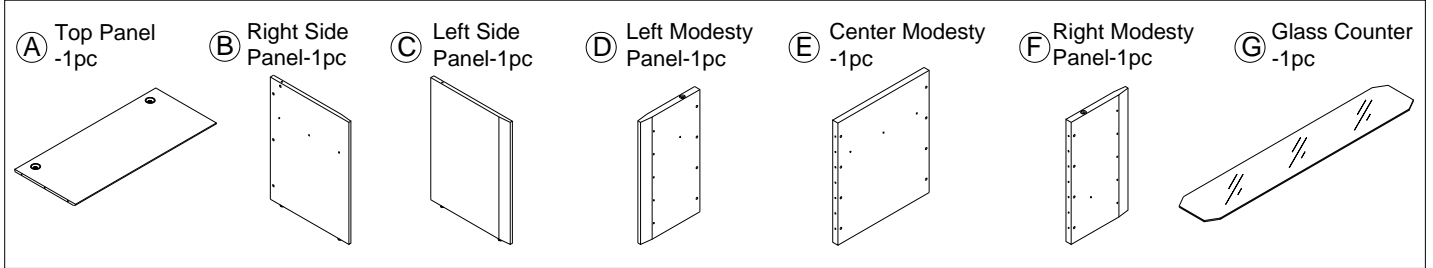
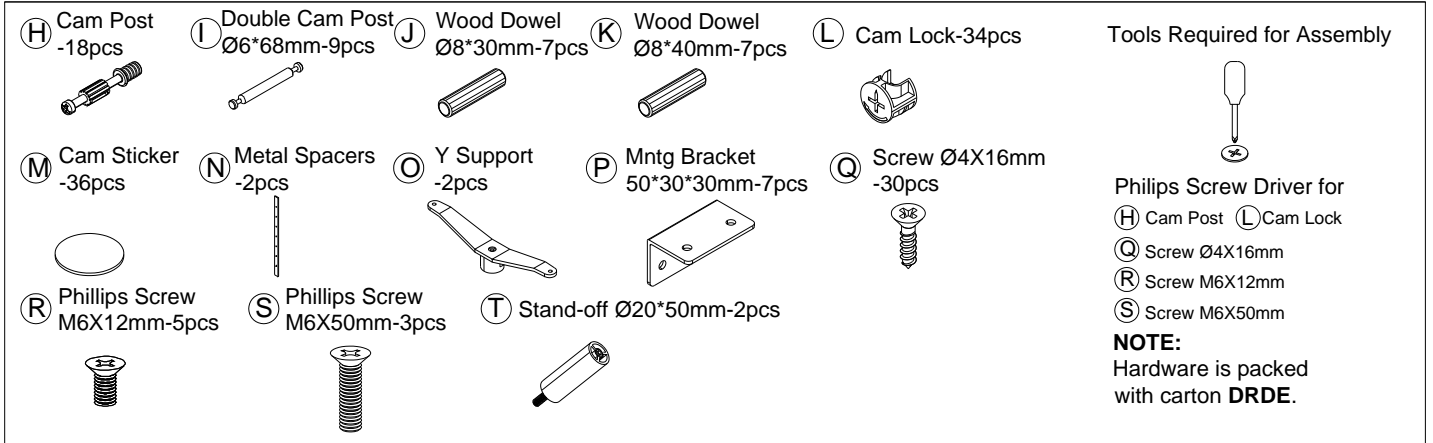


Reception Desk ASSEMBLY INSTRUCTIONS

COMPONENTS

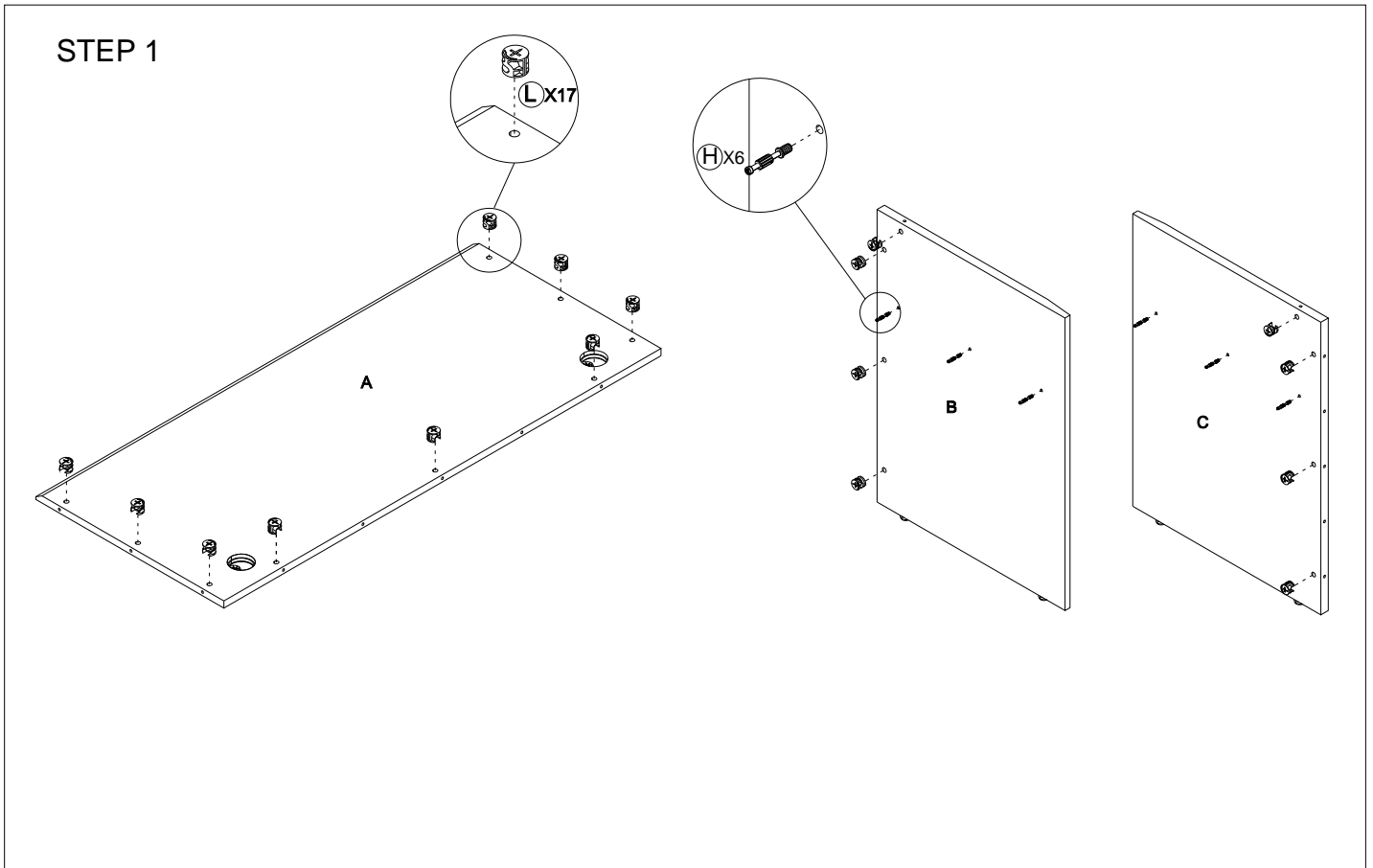


HARDWARE & TOOLS



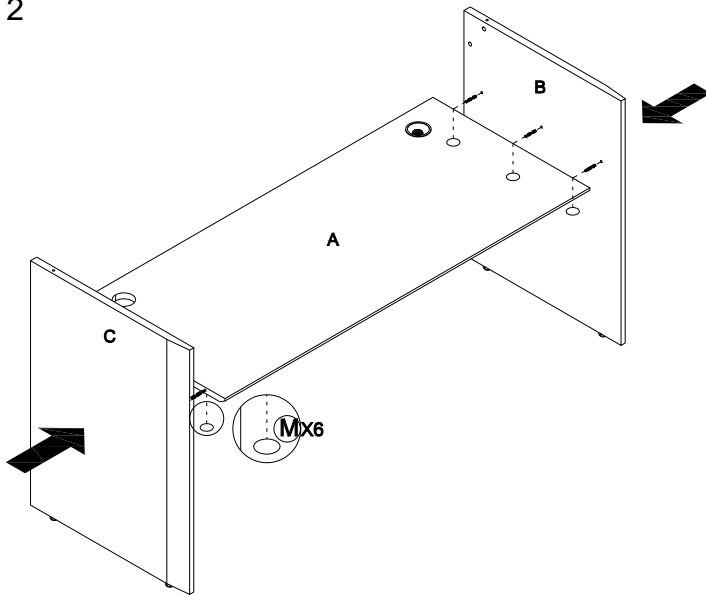
INSTRUCTIONS - Do not use power tools to assemble

STEP 1

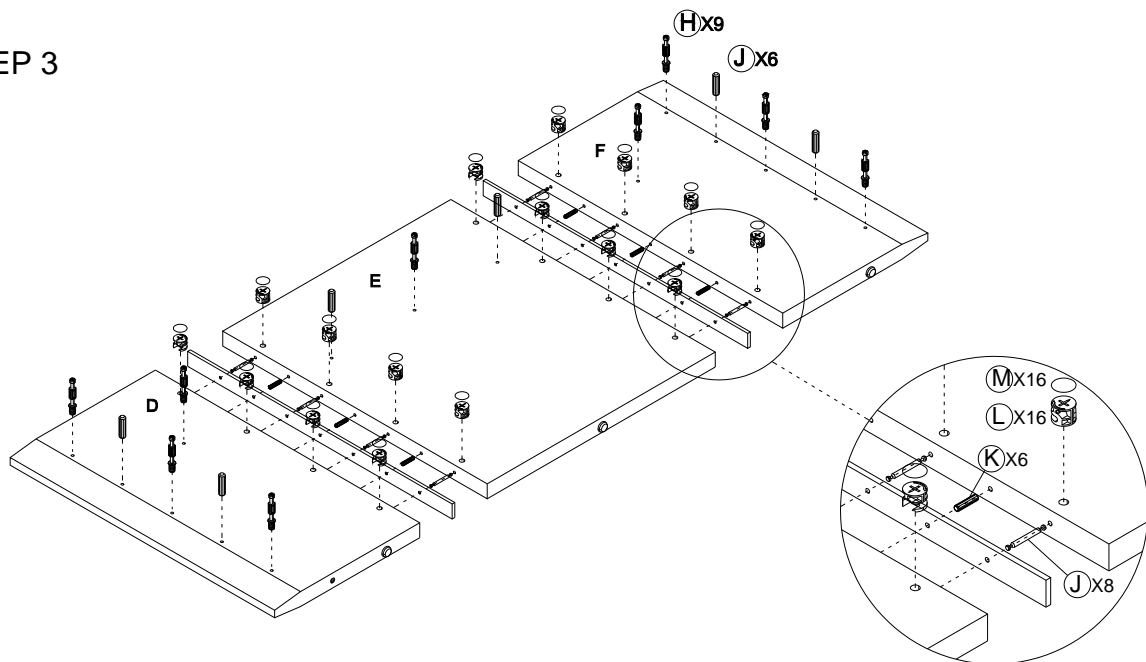


INSTRUCTIONS

STEP 2

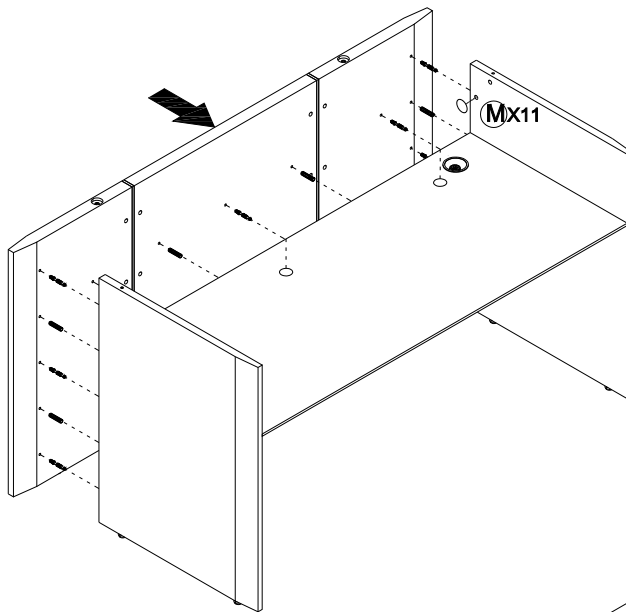


STEP 3

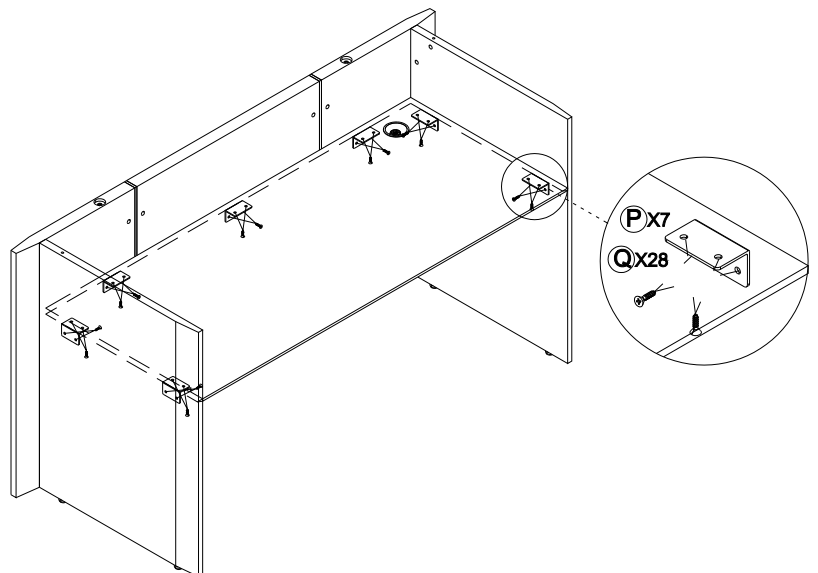


INSTRUCTIONS

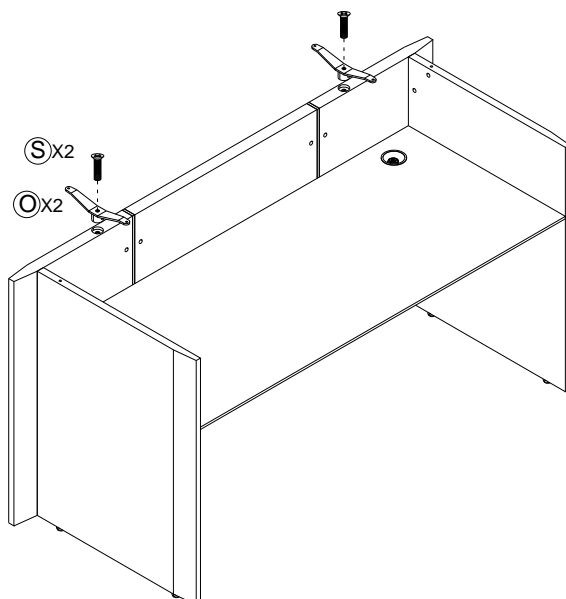
STEP 4



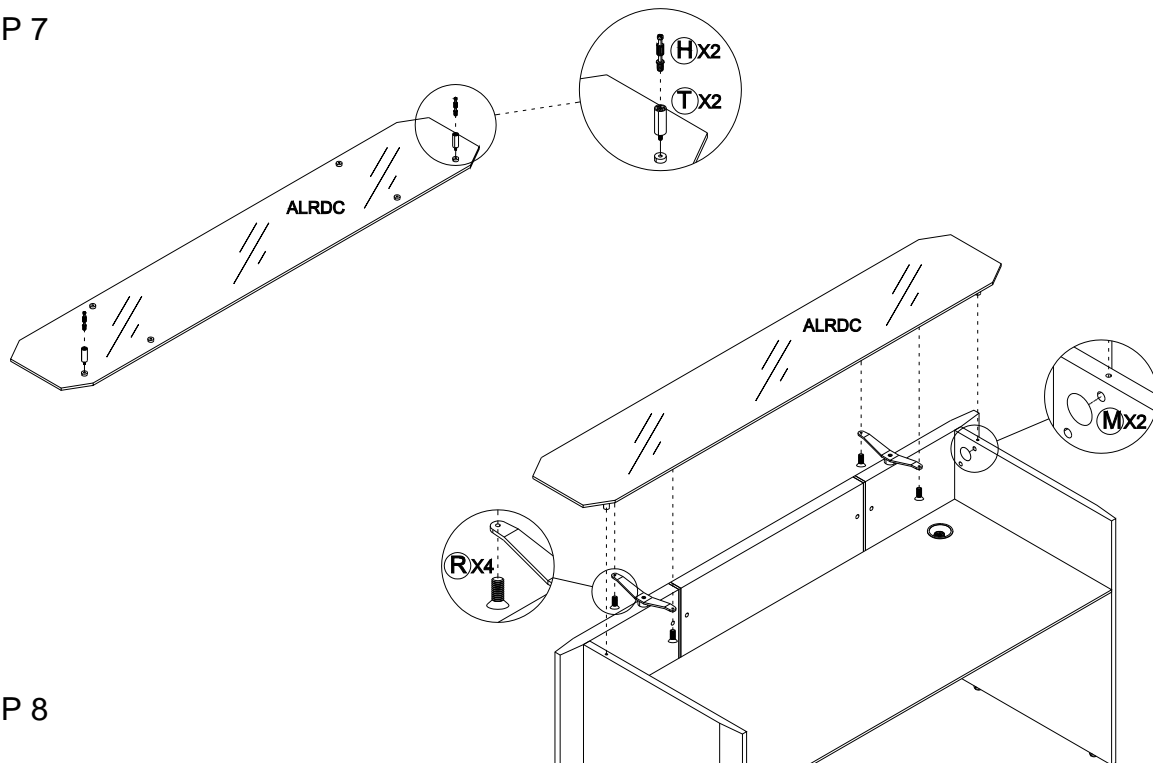
STEP 5



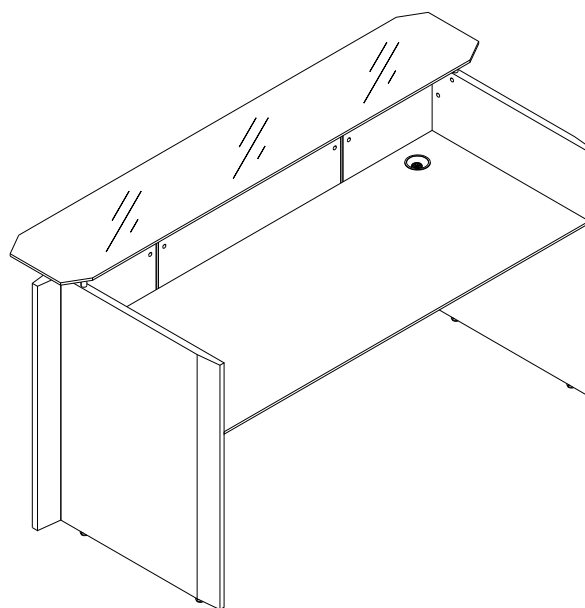
STEP 6



STEP 7



STEP 8



COMPLETED