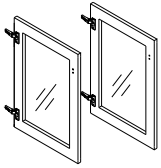
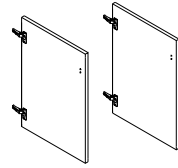


COMPONENTS

(A) Glass Doors-2pcs



(B) Wood Doors-2pcs



HARDWARE & TOOLS

(C) Handle-2pcs



(D) Phillips Screw M4X22mm-5pcs



Tools Required for Assembly



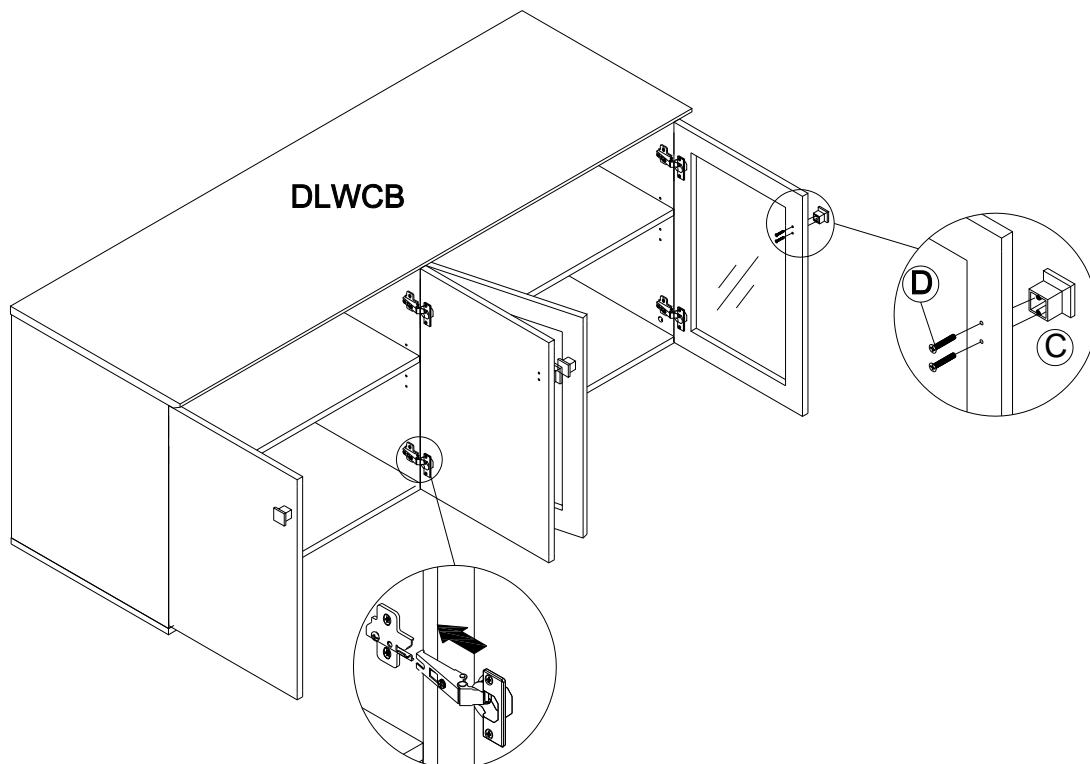
Phillips Screw Driver for

(D) Screw Ø4X22mm

- Do not use power tools to assemble

INSTRUCTIONS - For Assembly of Doors to Low Wall Cabinet

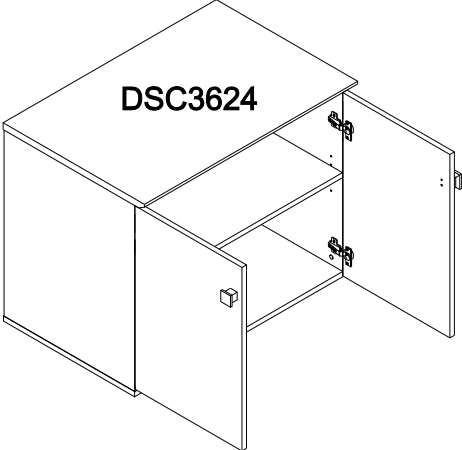
STEP 1



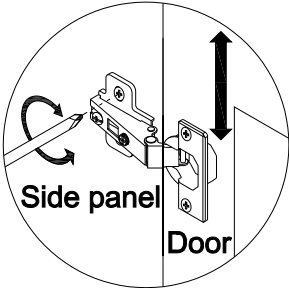
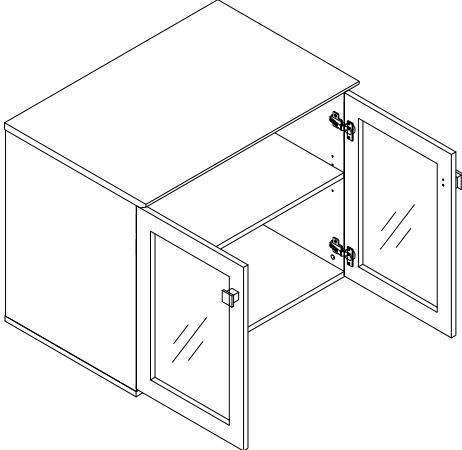
Note:

You can install 4 wood, 4 glass or 2 wood and 2 glass doors on any side you choose.

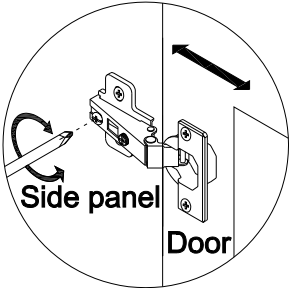
INSTRUCTIONS - For Assembly of Doors to Storage Cabinet



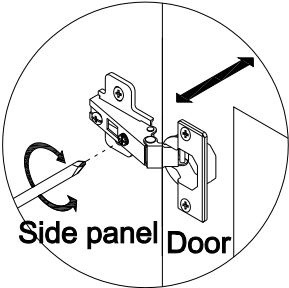
OR



ADJUSTMENT HEIGHT



ADJUSTMENT DEPTH



ADJUSTMENT GAP