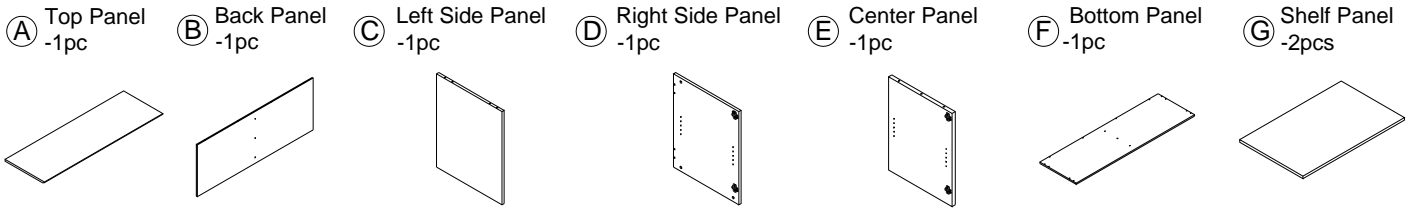
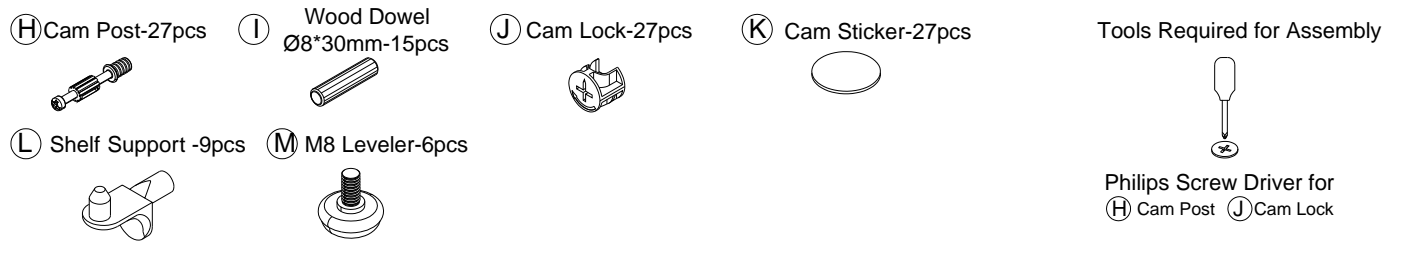


Low Wall Cabinet ASSEMBLY INSTRUCTIONS

COMPONENTS

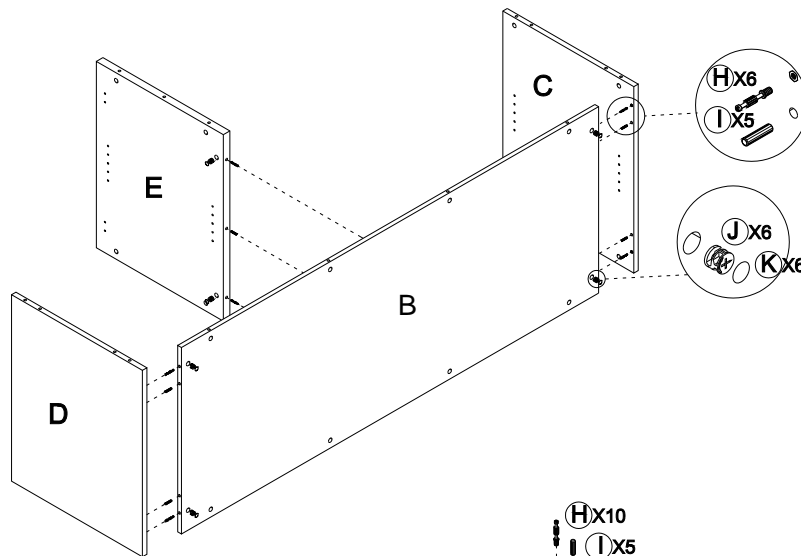


HARDWARE & TOOLS

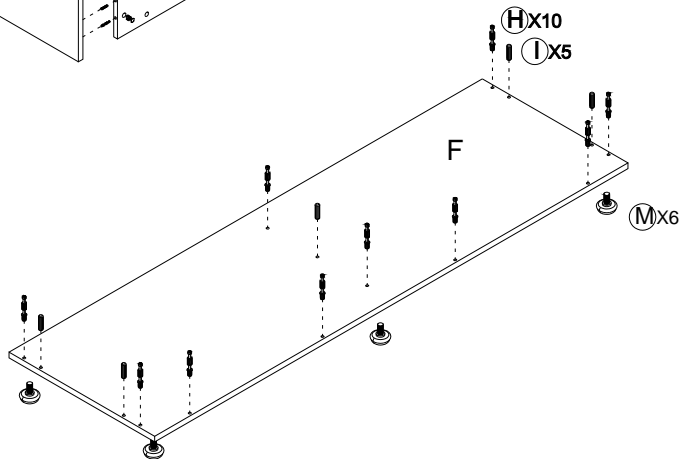


INSTRUCTIONS - Do not use power tools to assemble

STEP 1

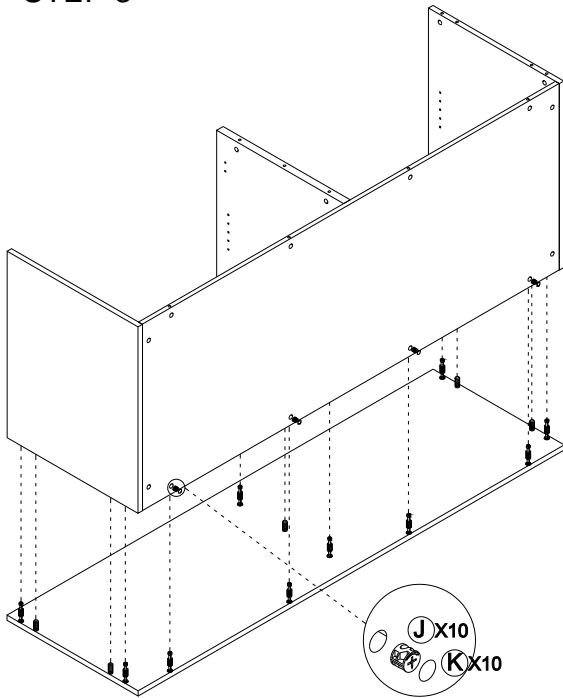


STEP 2

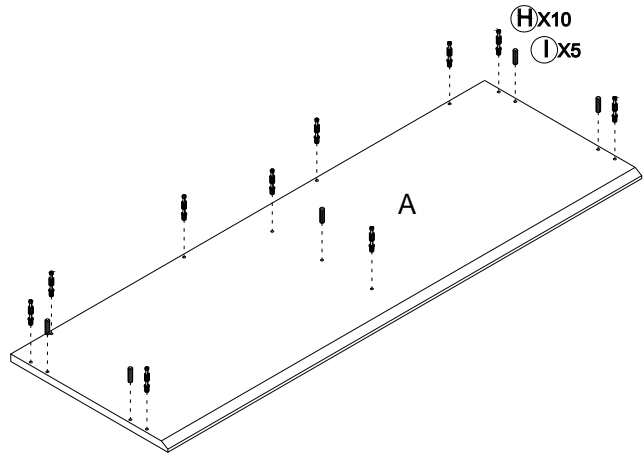


INSTRUCTIONS

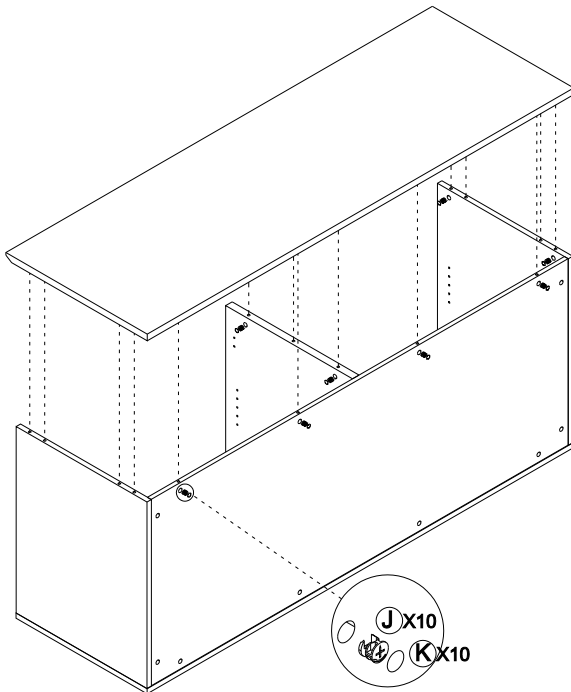
STEP 3



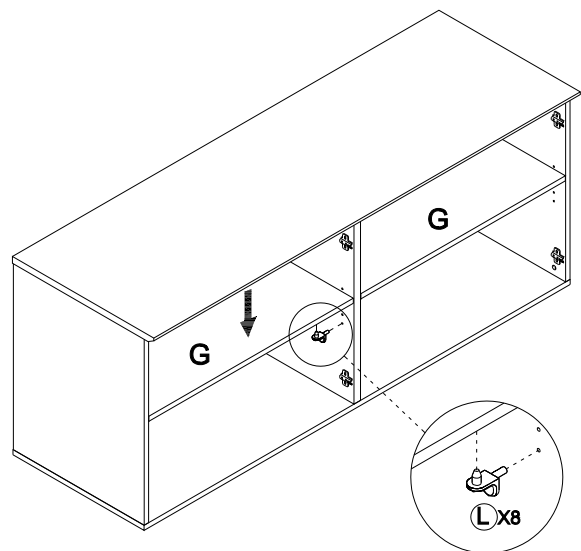
STEP 4



STEP 5

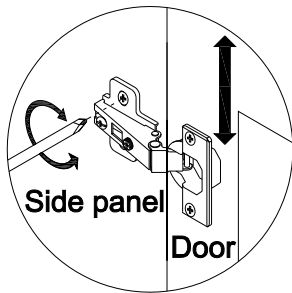
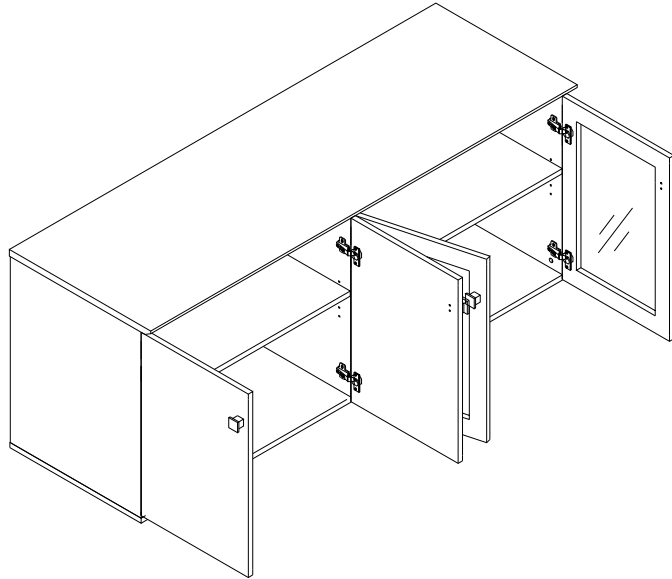


STEP 6

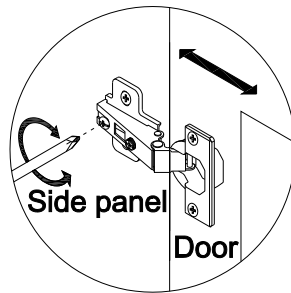


INSTRUCTIONS

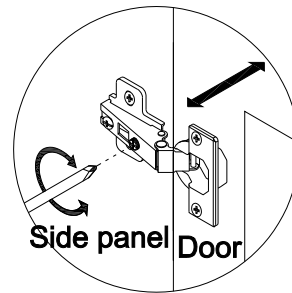
STEP 7



ADJUSTMENT HEIGHT



ADJUSTMENT DEPTH



ADJUSTMENT GAP