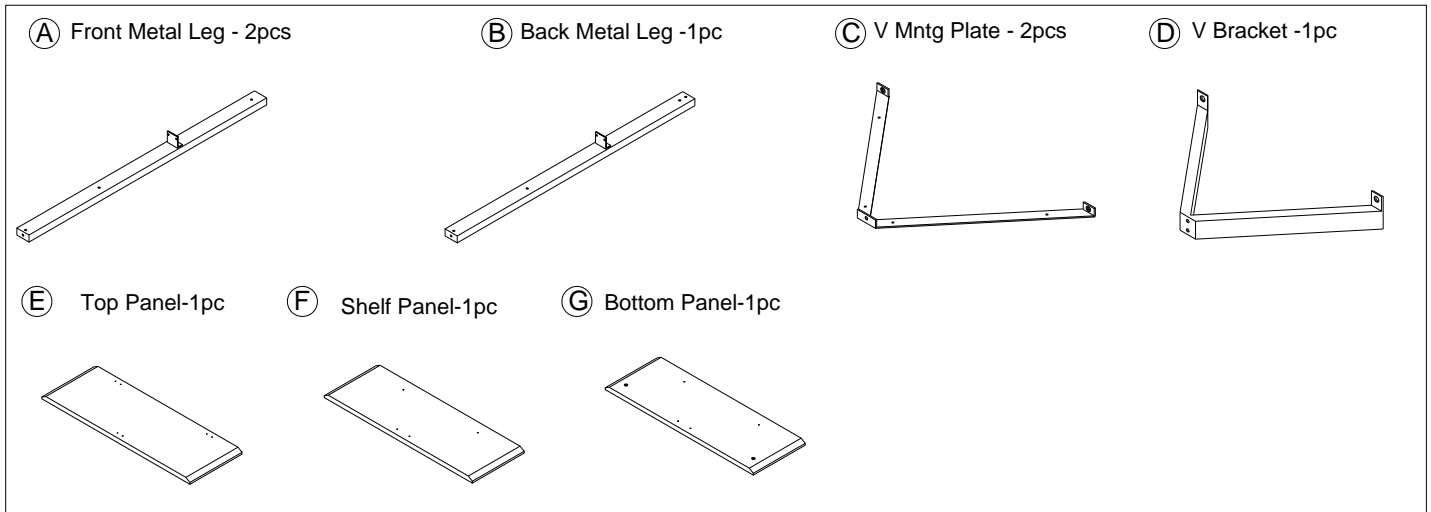
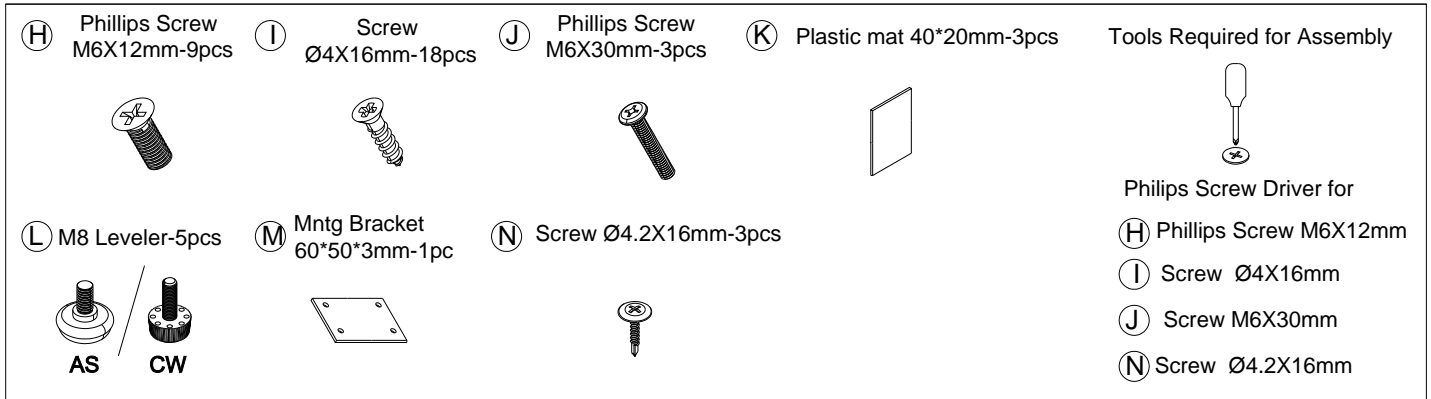


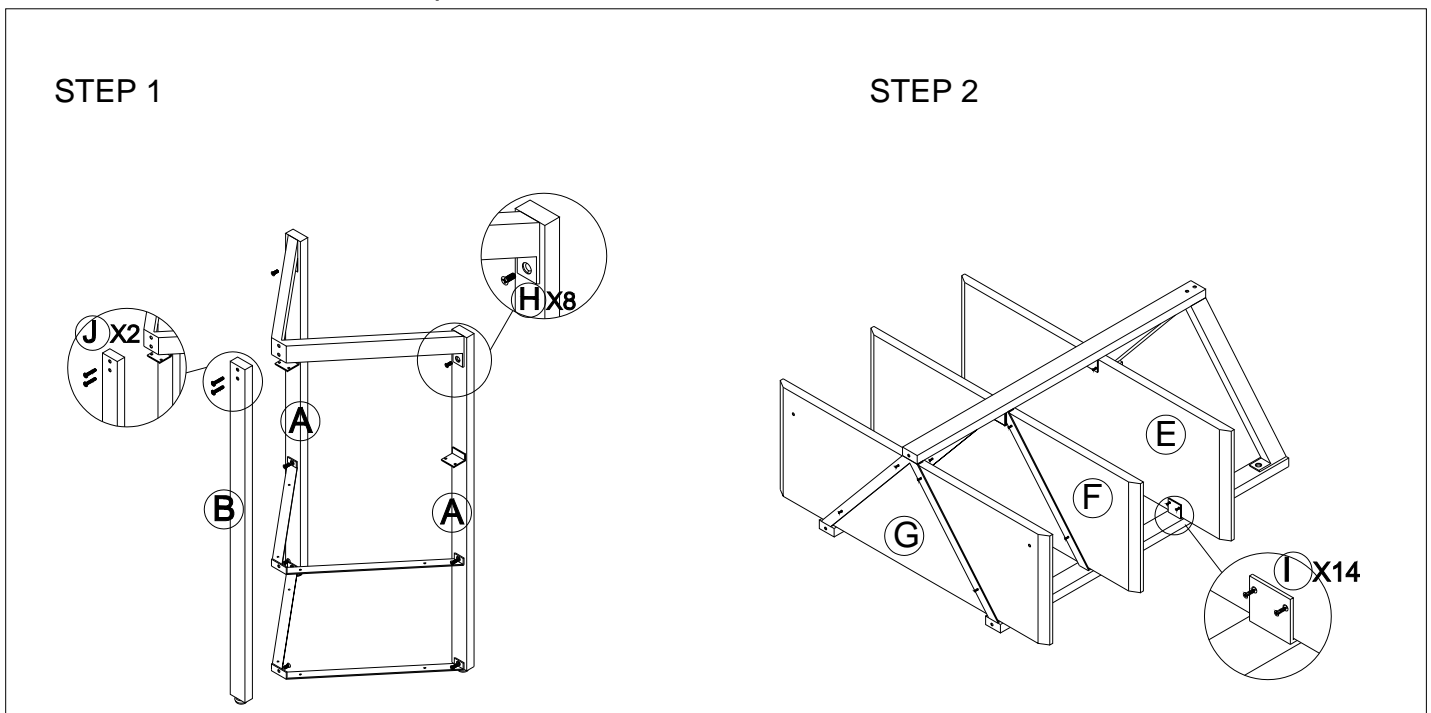
COMPONENTS



HARDWARE & TOOLS



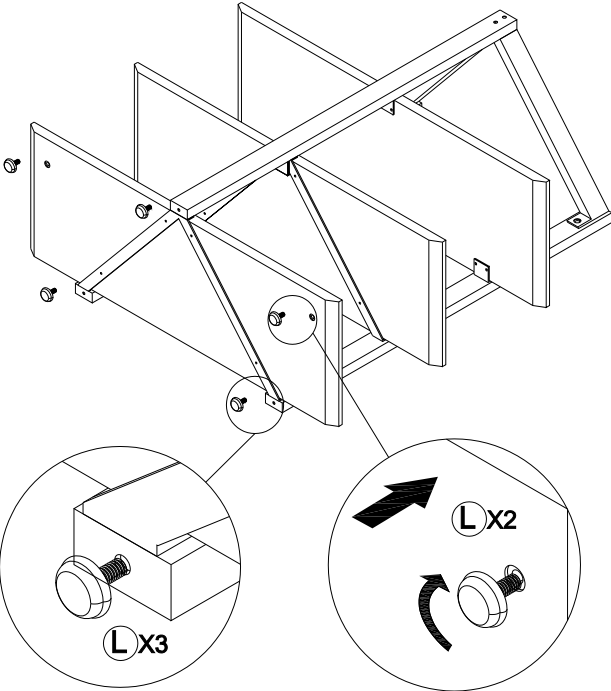
INSTRUCTIONS - Do not use power tools to assemble



INSTRUCTIONS

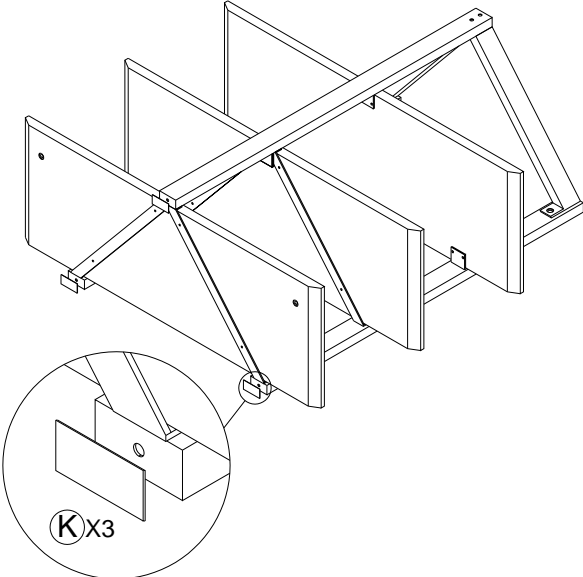
STEP 3

Floor Standing



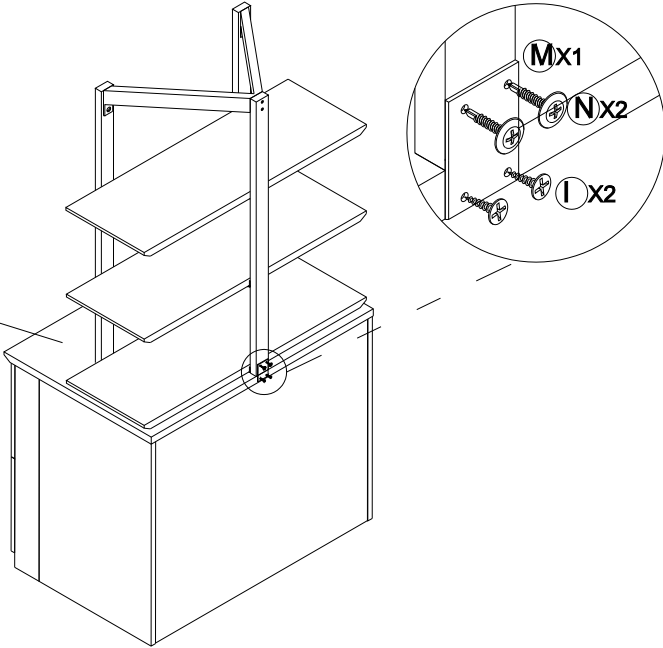
Desktop

OR



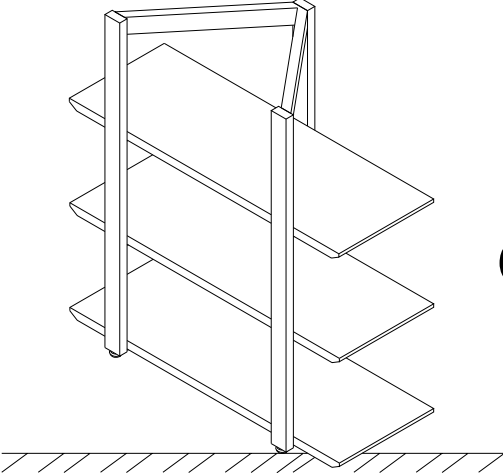
STEP 4

Lateral File



COMPLETED

Floor Standing



OR

Desktop

