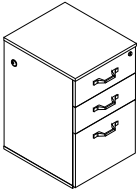


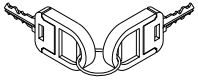
COMPONENTS

(A) Box / Box / File with Power-1pc

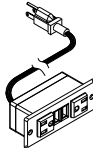


HARDWARE & TOOLS

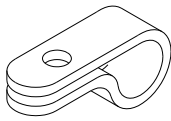
(B) Keys-1pc



(C) Power Unit-1pc



(D) Clip-3pcs



(E) Screw Ø4X16mm-6pcs



Tools Required for Assembly

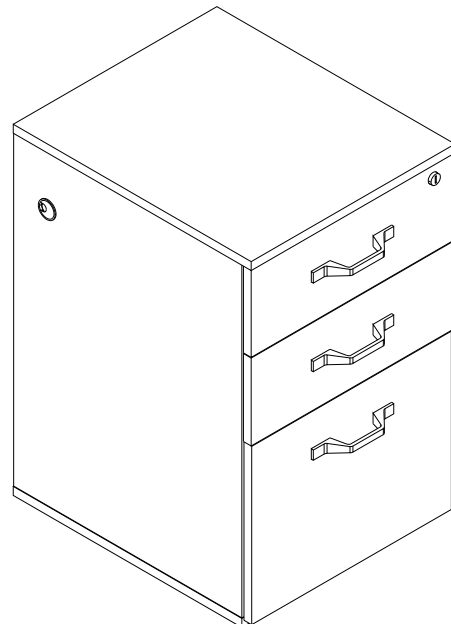
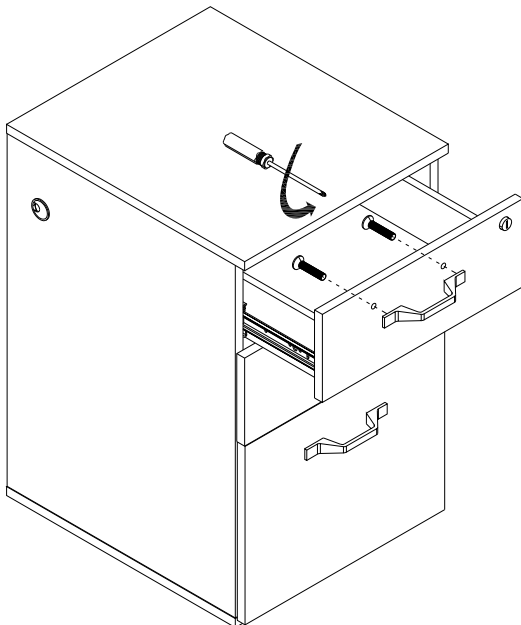


Philips Screw Driver for
(E) Screw Ø4X16mm

INSTRUCTIONS - Do not use power tools to assemble

Note:

Install the handle from the inside of the drawer to the outside.



INSTRUCTIONS

Remove the PVC cover, then use Screw (E) to install the power unit to the cutout, then route the power cords through clips (D). Use screw (E) to install the clips to interior of the cabinet and route power cord through grommet in cabinet.

