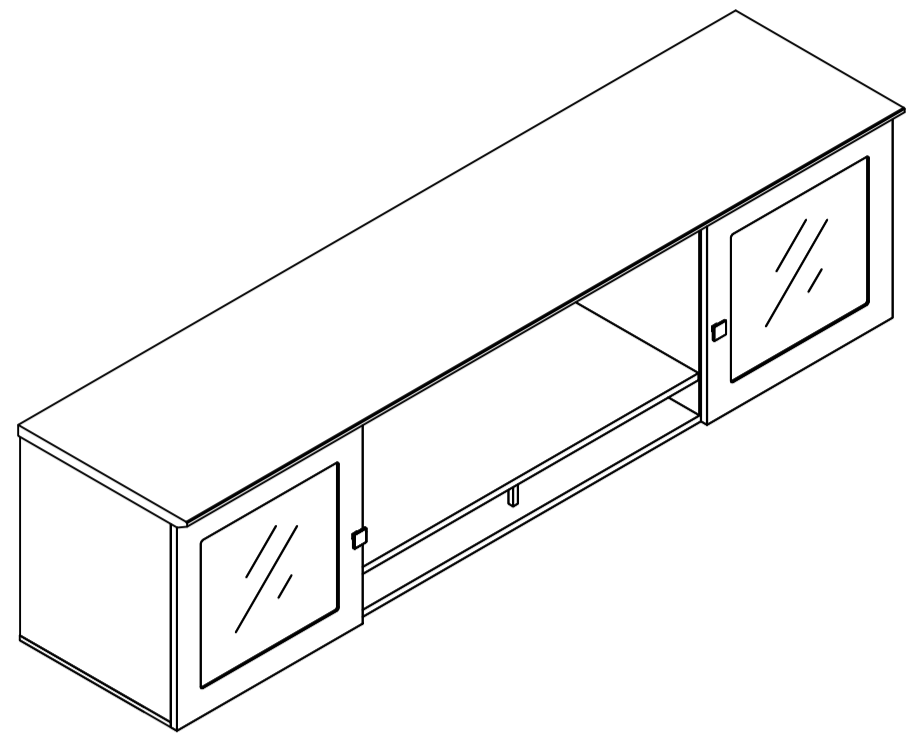
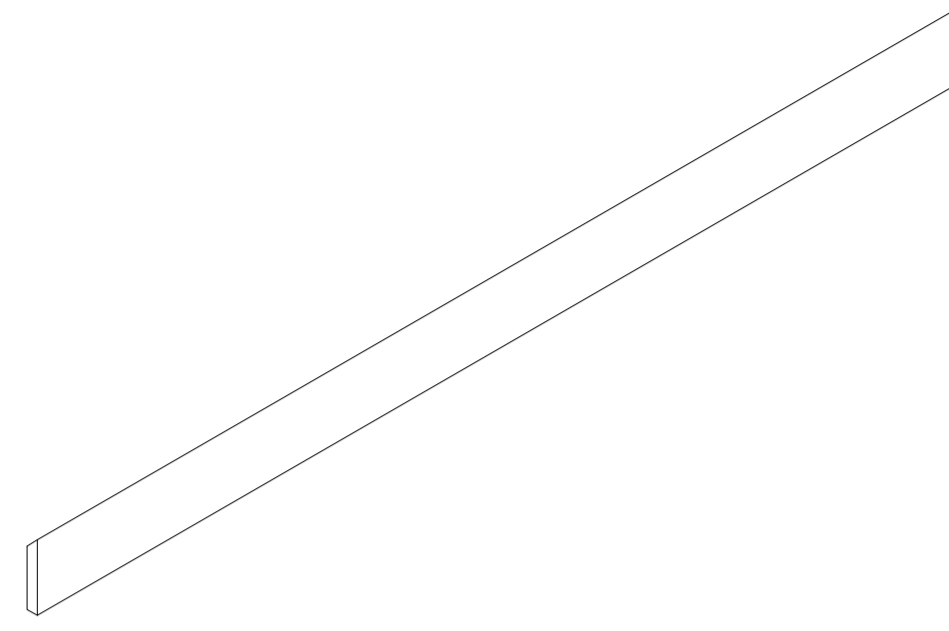


## COMPONENTS

(A) Hutch-1pc

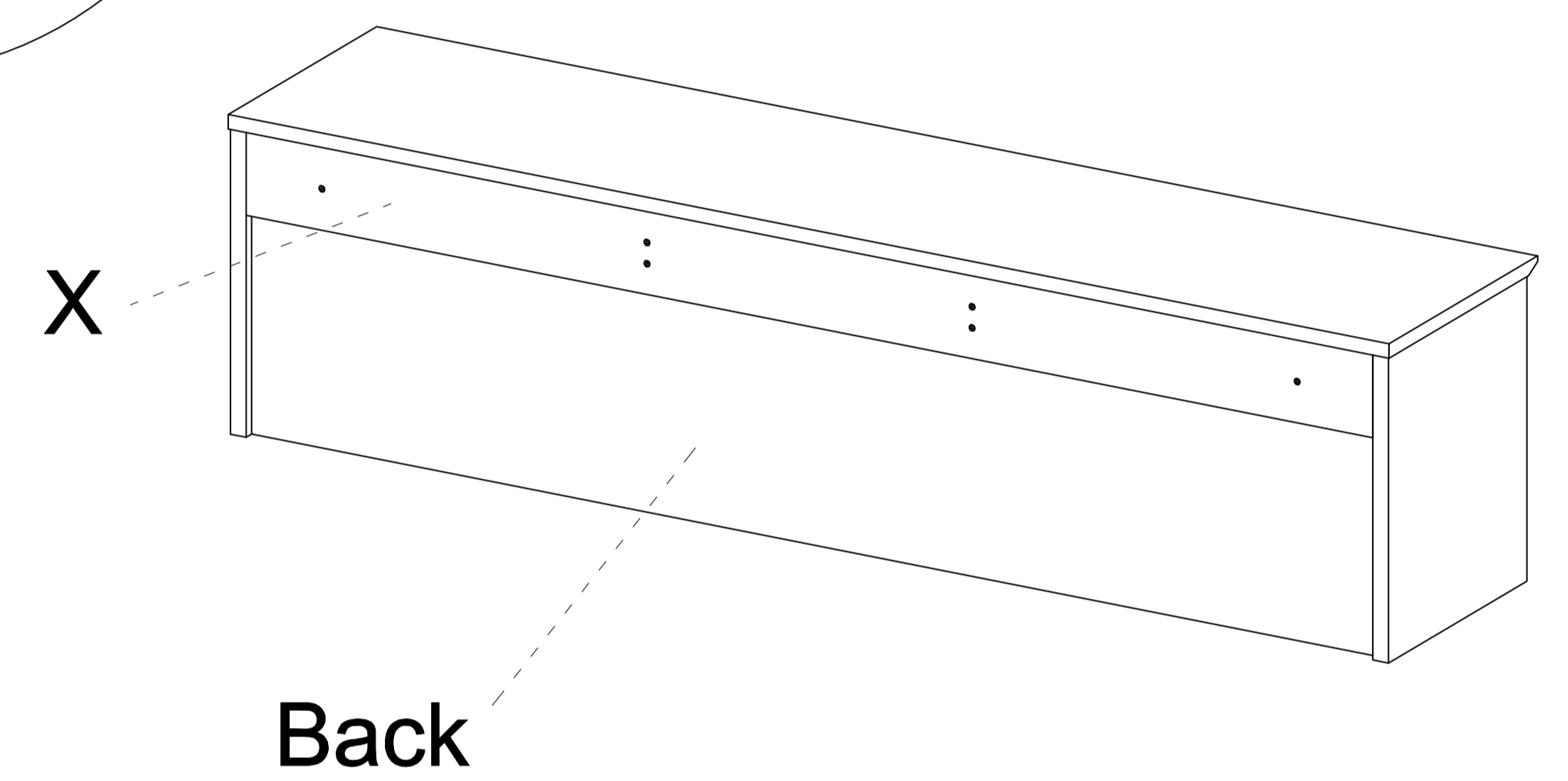
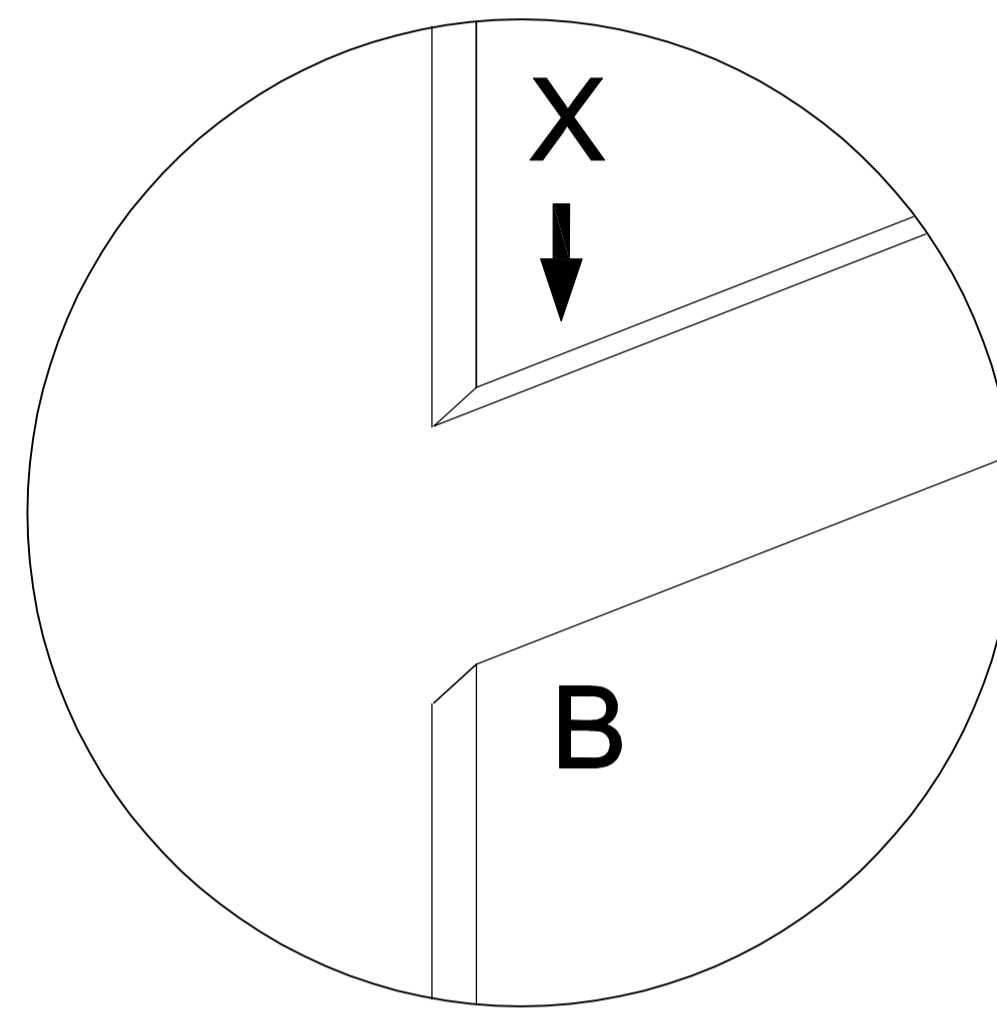
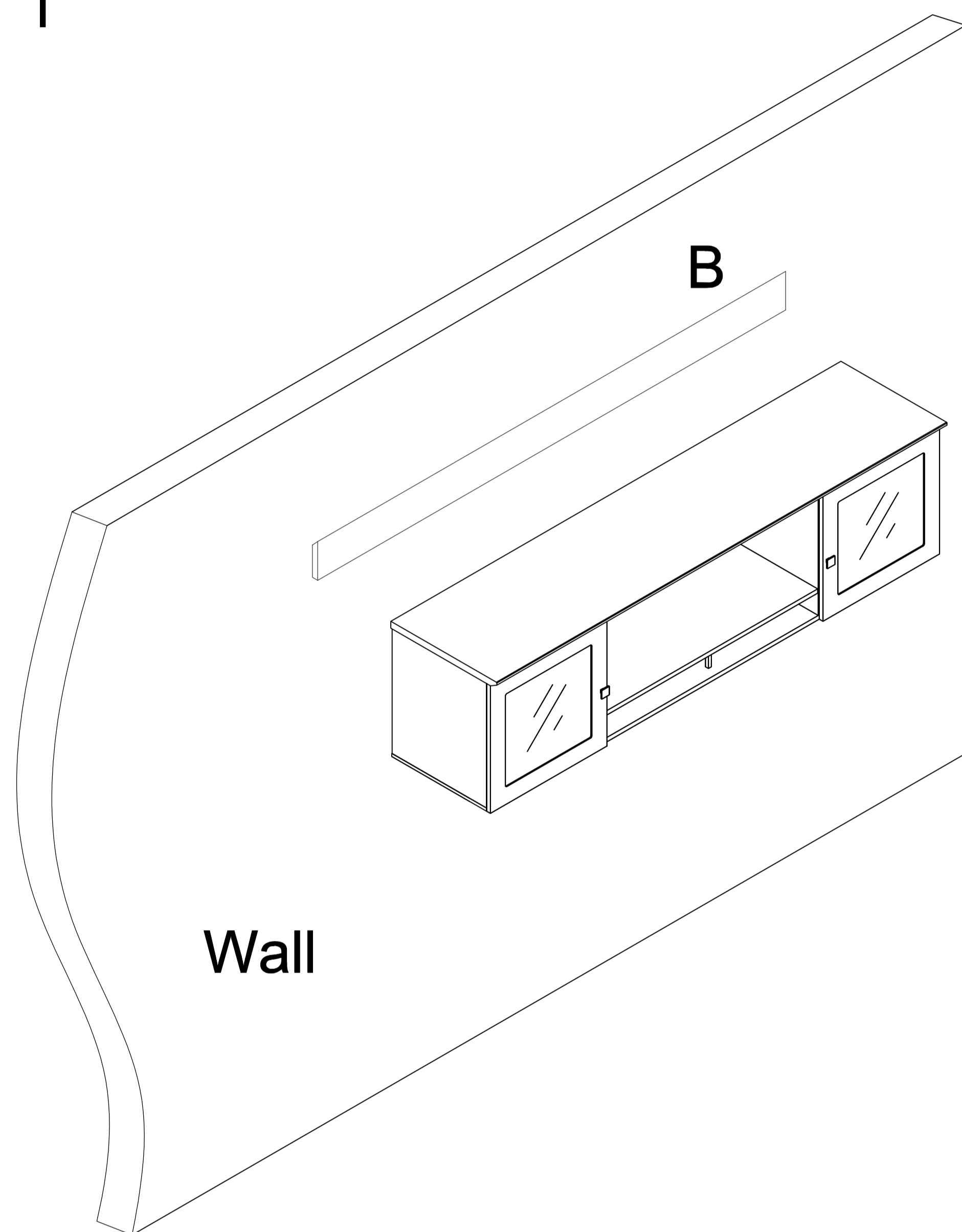


(B) Wall Mounting Board-1pc

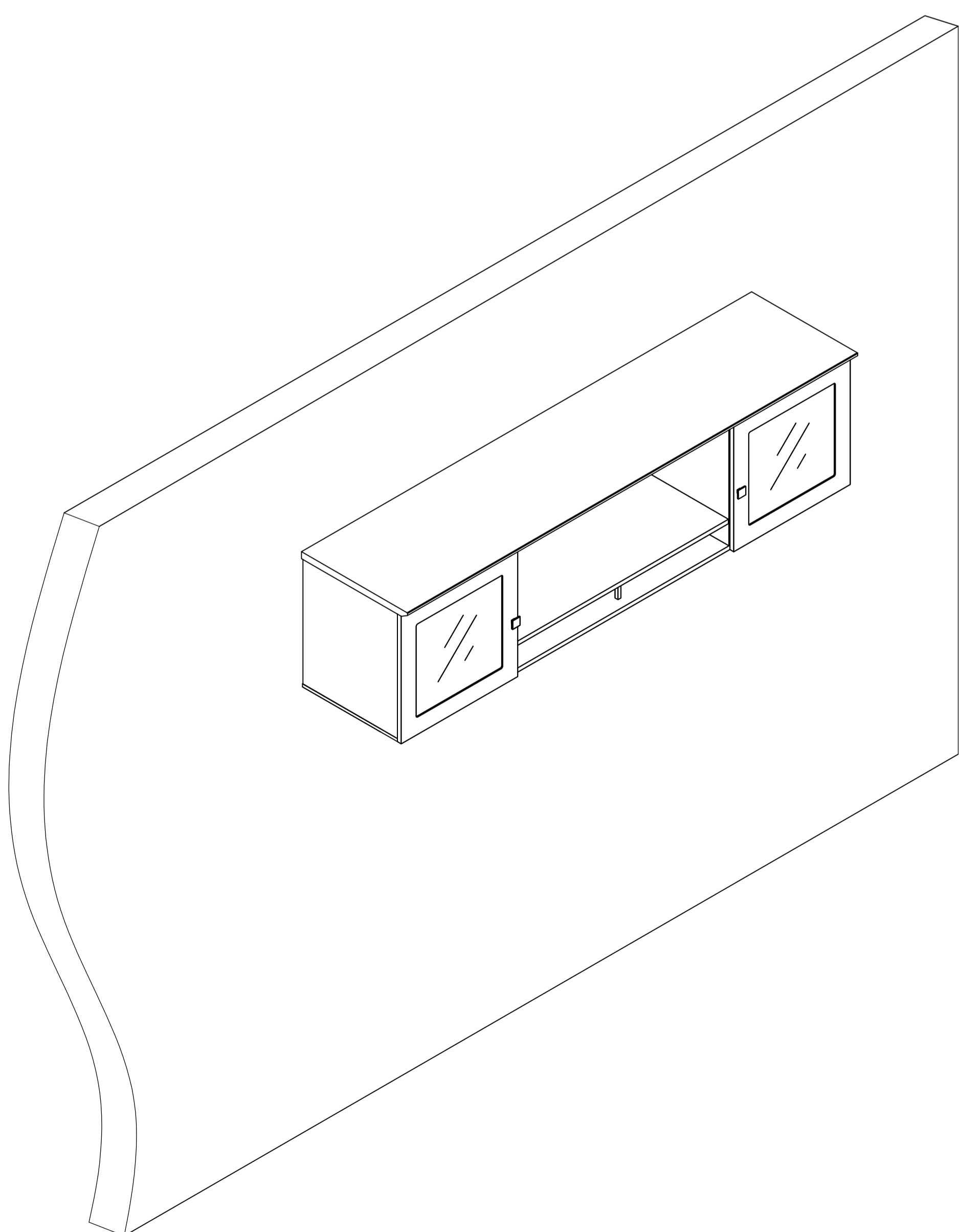


## INSTRUCTIONS

### STEP 1



### COMPLETED

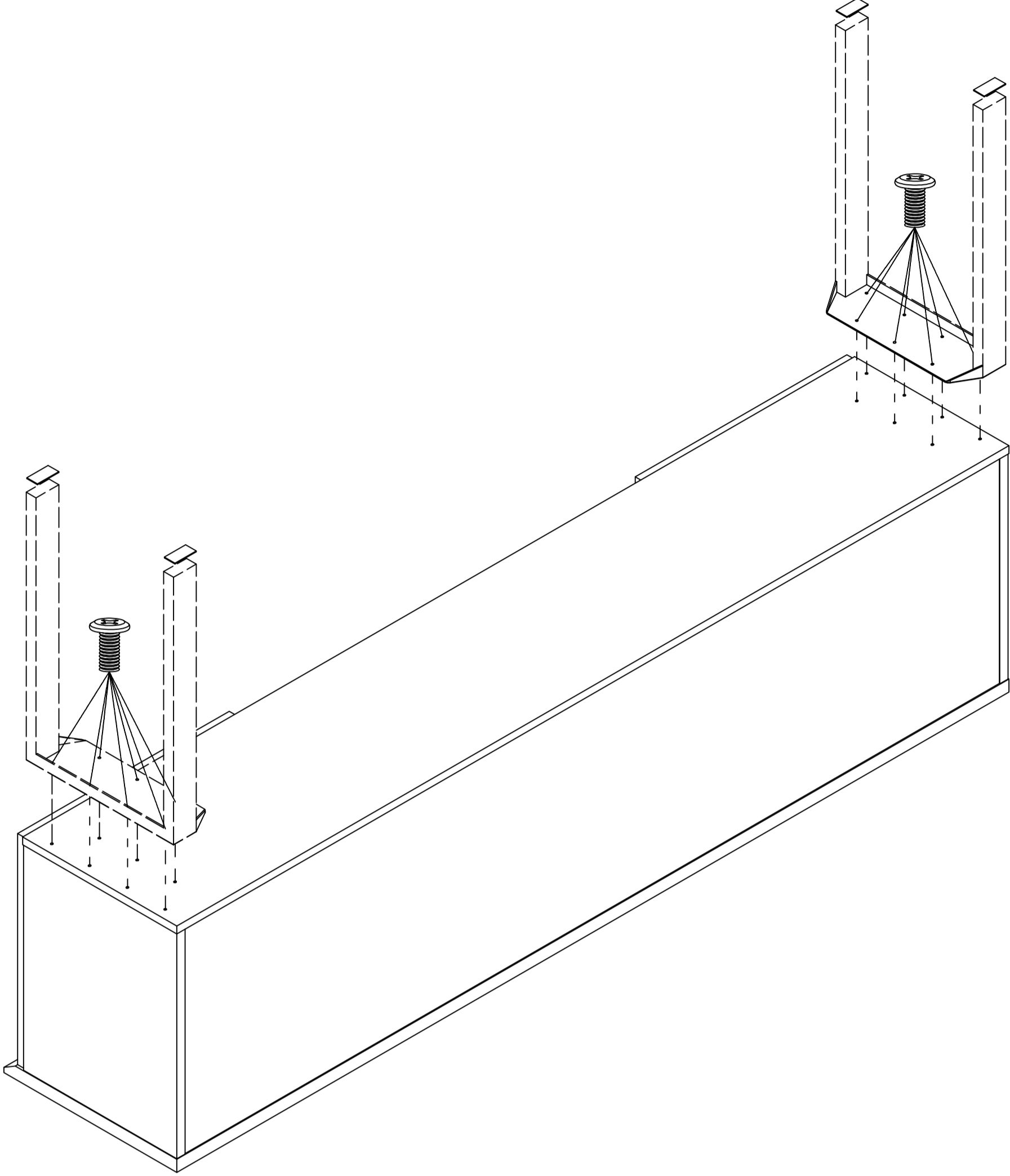


**Mounting Board Installation** - Due to the various wall construction methods, it is up to a professional installer to secure the Wall Mounting Board (B) to the wall with the proper fasteners and/or anchors as required by the wall construction at the desired mounting location.

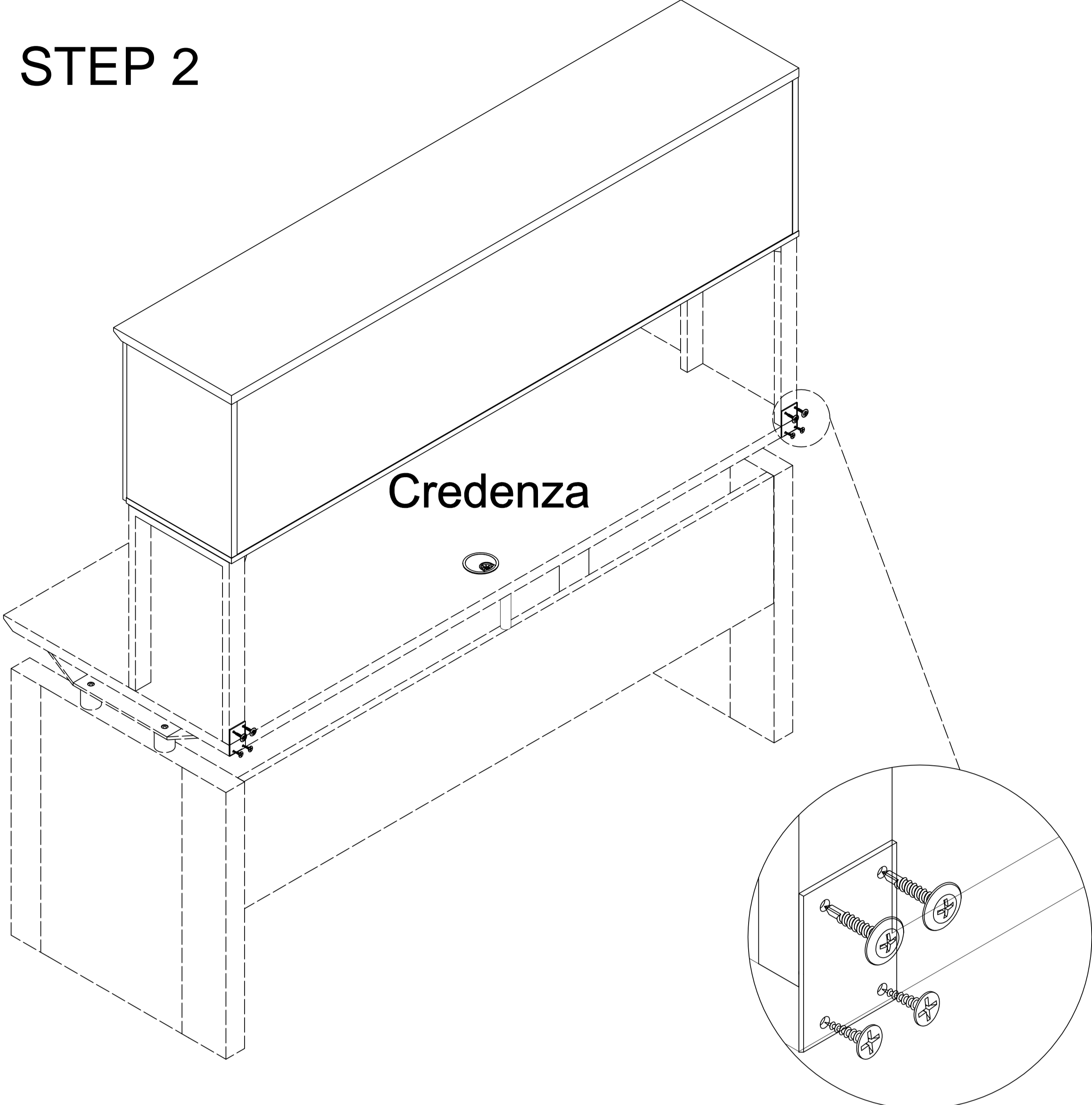
**To Hang Cabinet** - Position cabinet so that Mounting Board (X) is above Wall Mounting Board (B) and lower cabinet until Mounting Board (X) and Wall Mounting Board (B) lock together.

INSTRUCTIONS - To assemble when putting on Credenza

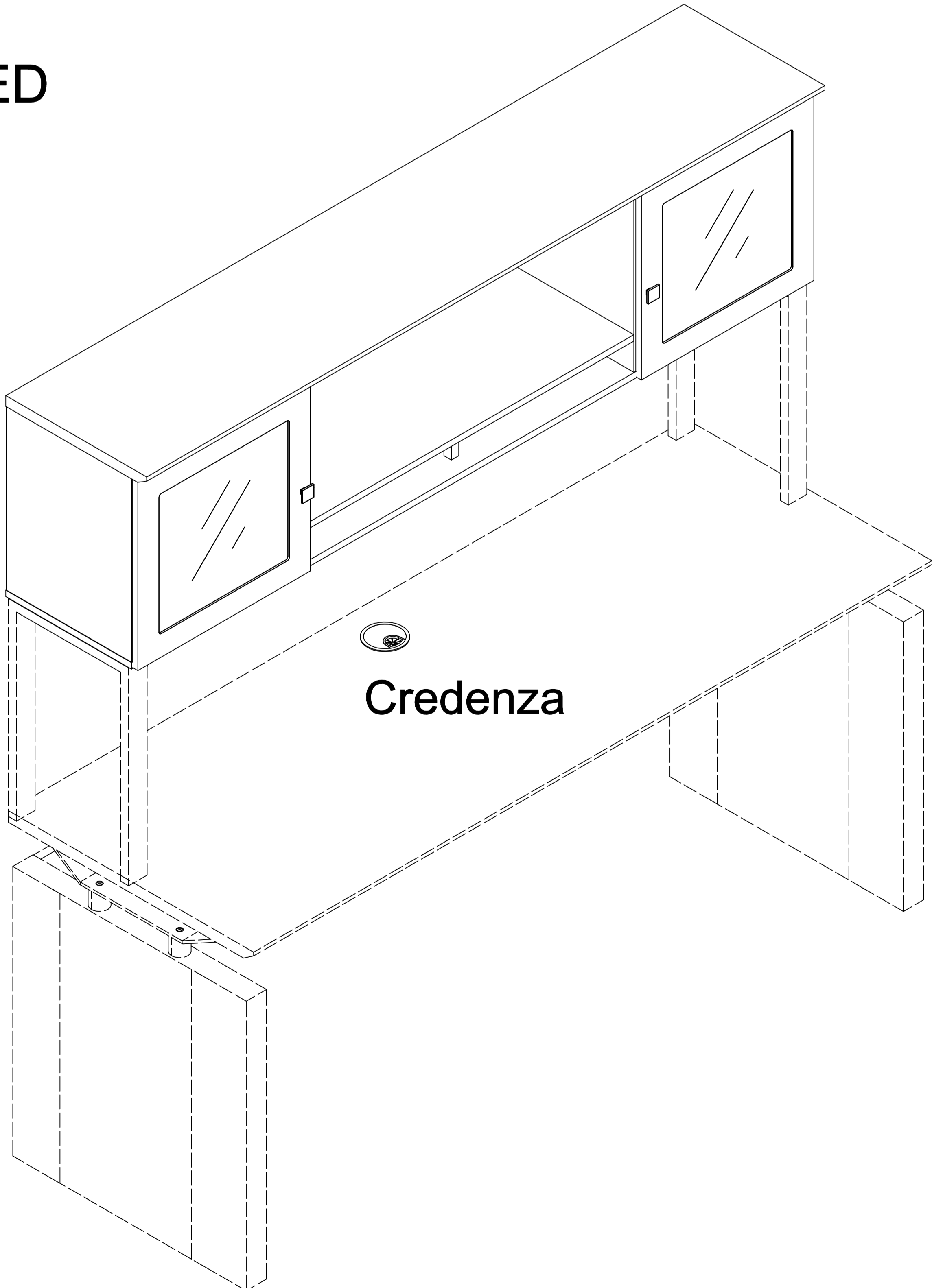
STEP 1



STEP 2



COMPLETED



**NOTE:**  
Hardware is packed with carton **ALHB**