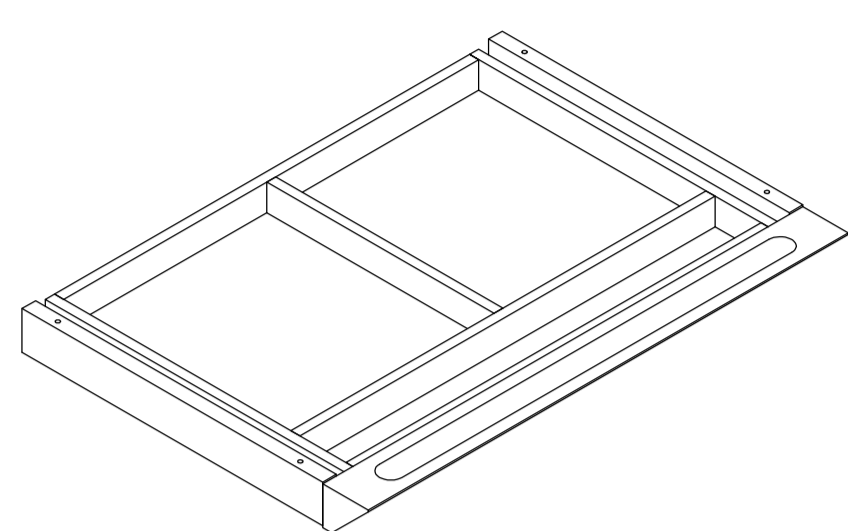


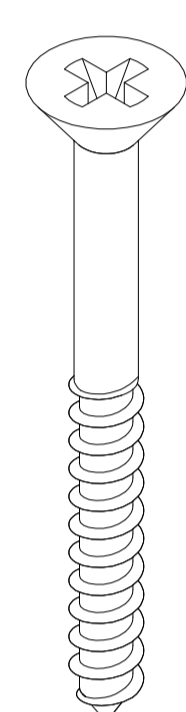
COMPONENTS

A Center Drawer - 1pc

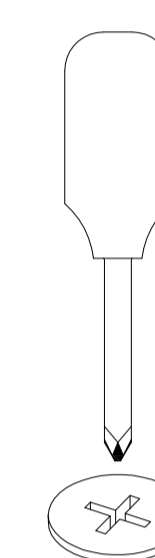


HARDWARE & TOOLS

B Screw $\varnothing 5 \times 65\text{mm}$
-5pcs



Tools Required for Assembly



Philips Screw Driver for
B Screw M5X65mm

INSTRUCTIONS - Do not use power tools to assemble

Position Center Drawer under work surface in desired location.
Using Screws (B) attach Drawer to work surface

