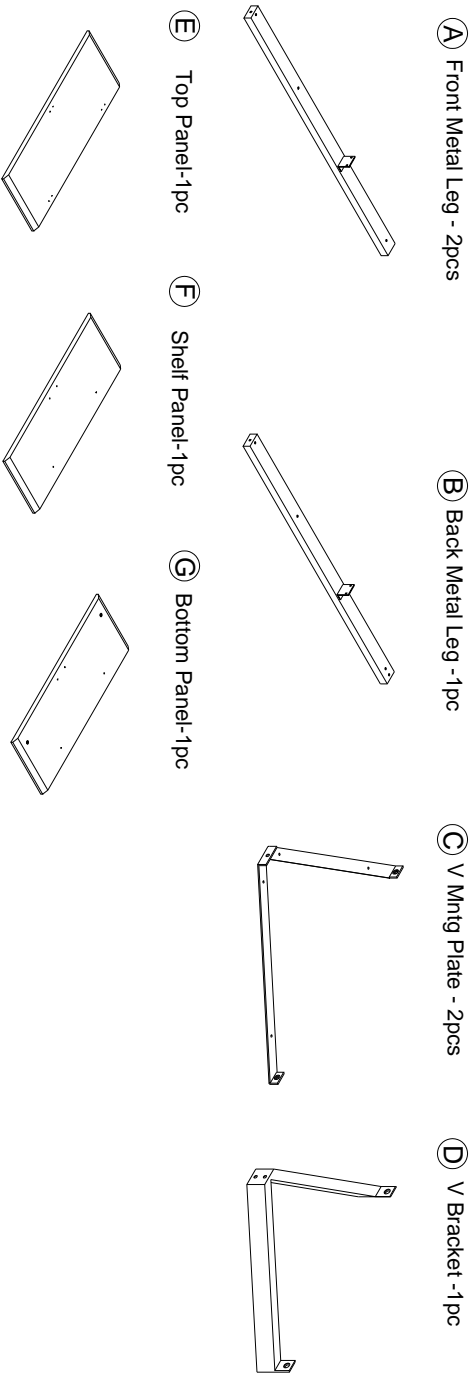
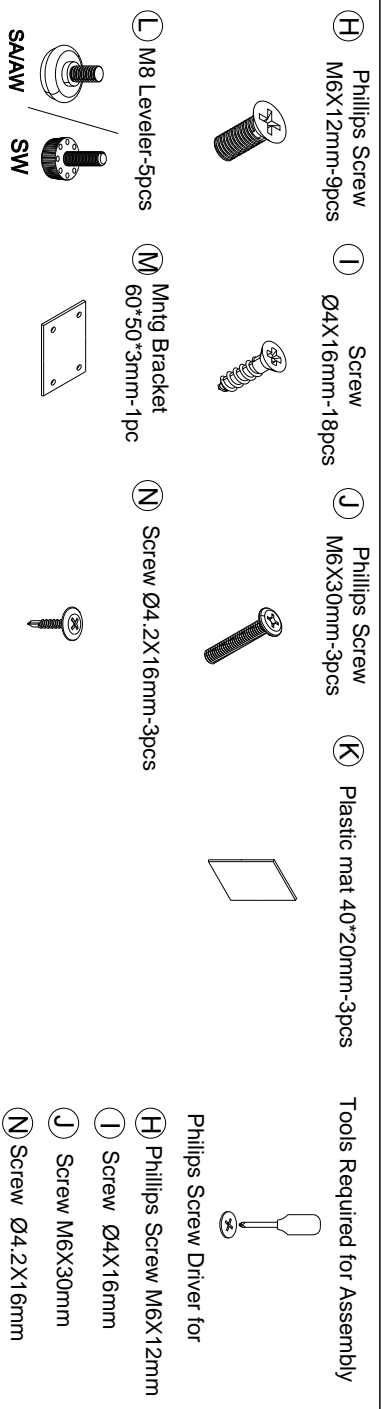


# 3 Shelf Bookcase ASSEMBLY INSTRUCTIONS

## COMPONENTS

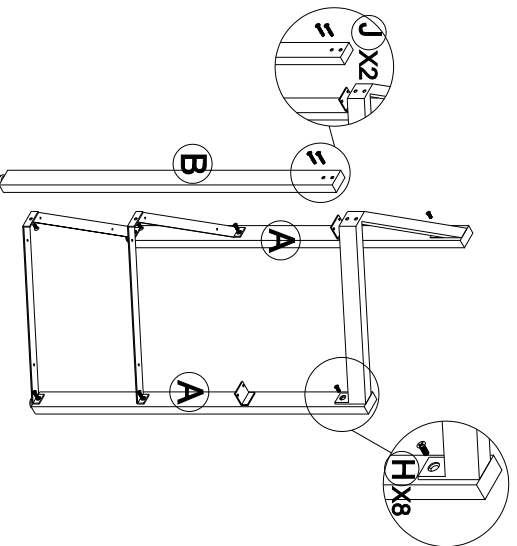


## HARDWARE & TOOLS

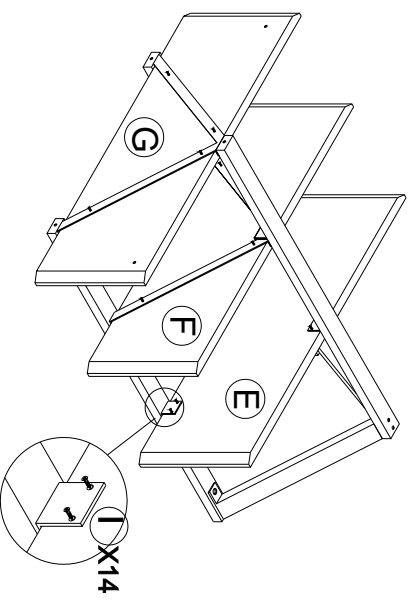


INSTRUCTIONS - Do not use power tools to assemble

### STEP 1



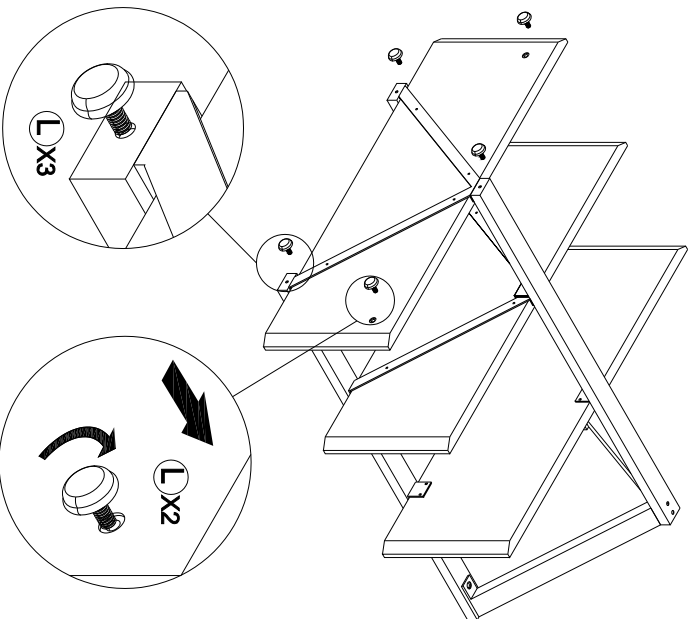
### STEP 2



INSTRUCTIONS

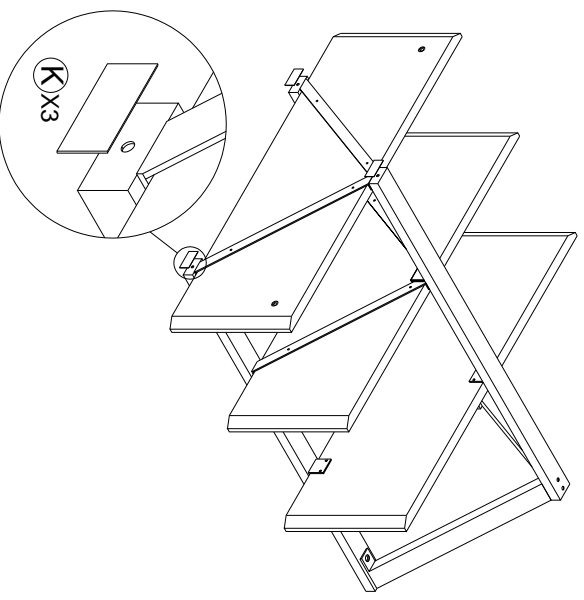
STEP 3

Floor Standing



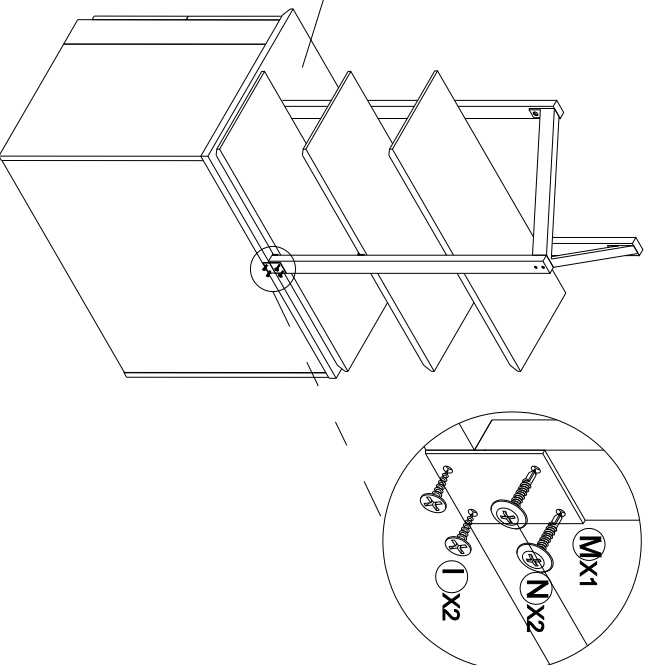
OR

Desktop



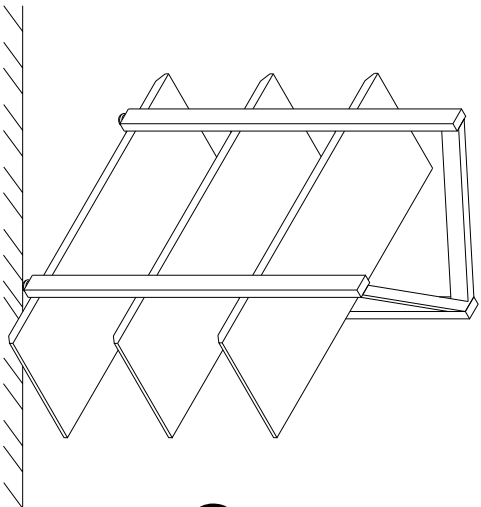
STEP 4

Lateral File



COMPLETED

Floor Standing



OR

Desktop

