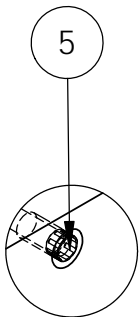
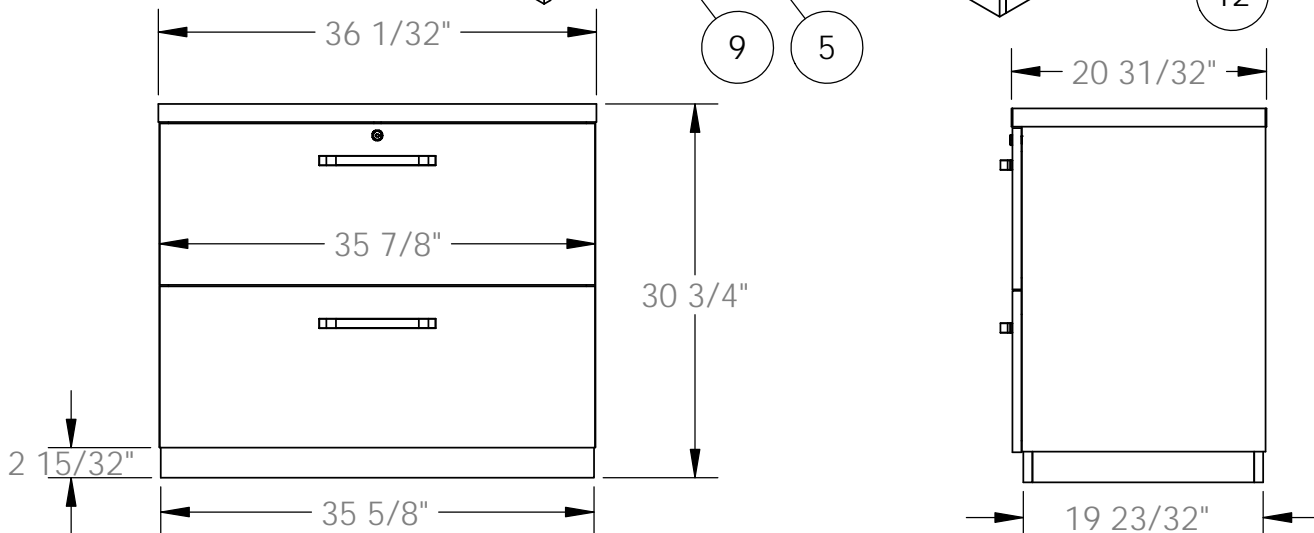
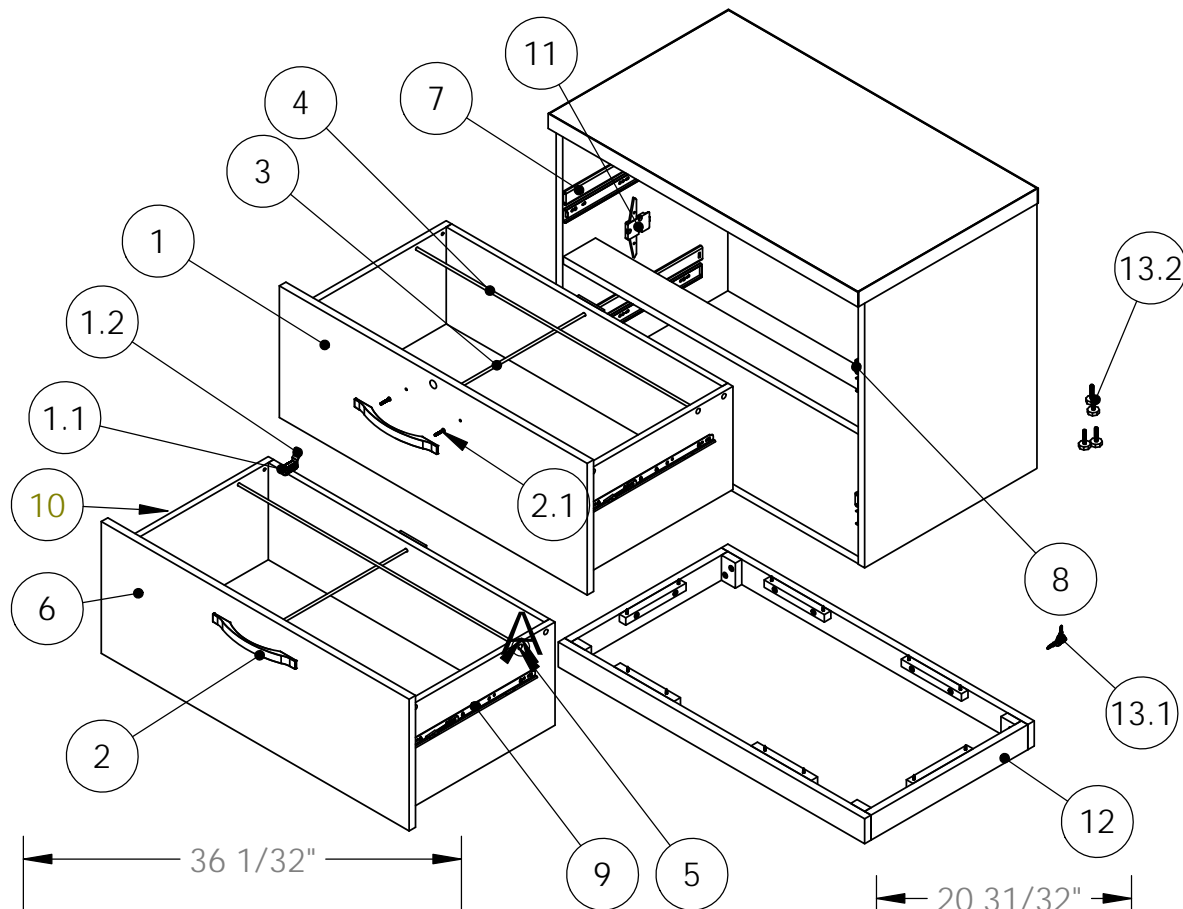


SM450 -PART LIST

NUMBER	PART NUMBER	DESCRIPTION	# PER SKU
1	P12-092-F73-02	FILE DRAWER	1
1.1	P03-LOCK.0138Z	CAM LOCK 1 3/8" BLACK	1
1.2	P03-LOCK.CAMZ	CAM "Z" OFFSET CAM	1
2	P03-PULL.ME02	PULL FOR MILLENNIUM (COLOR SILVER)	2
2.1	P29-TR8-34X0100B		4
3	P03-FILE.B.1763	FILE BARS - 17 5/8(EA)	2
4	P03-FILE.B.3300	FILE BARS - 33" (EA)	4
5	P03-FILE.B.CAP	FILE CAP	6
6	P12-092-F73-03	FILE DRAWER	1
7	P02-FULL16ACLZ	PROGRESSIVE FULL EXTENSION CASE LEFT	2
8	P02-FULL16ACRZ	PROGRESSIVE FULL EXTENSION CASE RIGHT	2
9	P02-FULL16ADRZ	PROGRESSIVE FULL EXTENSION DRAWER	2
10	P02-FULL16ADLZ	PROGRESSIVE FULL EXTENSION DRAWER	2
11	P03-G.LOCK.SNAP	GANG LOCK ANTI-TIP SNAPPER	1
12	P12-163-F73-01	REMOVABLE BASE	1
13	P12-960-F73-01	HARDWARE BAG	1
13.1	P03-KEY-637		1
13.2	P03-LEVELERS.02	HEX HEAD LEVELER	4
14	P03-G.LOCK.CLIP	GANG LOCK NARROW DRAWER CLIP	2



DETAIL A
SCALE 1 : 2



MODEL: SM450