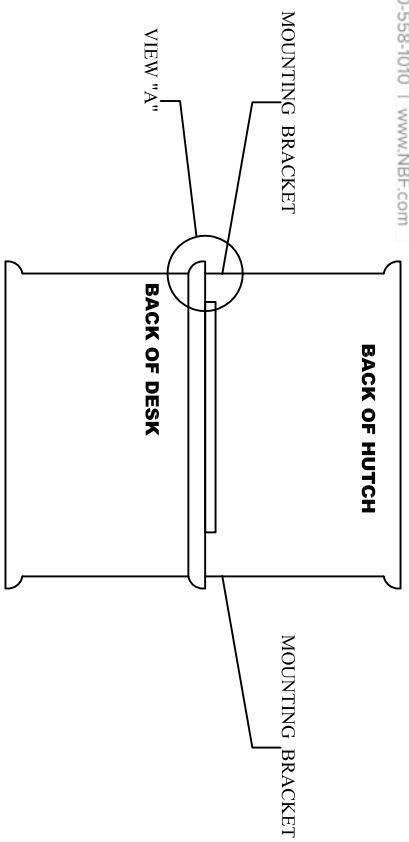
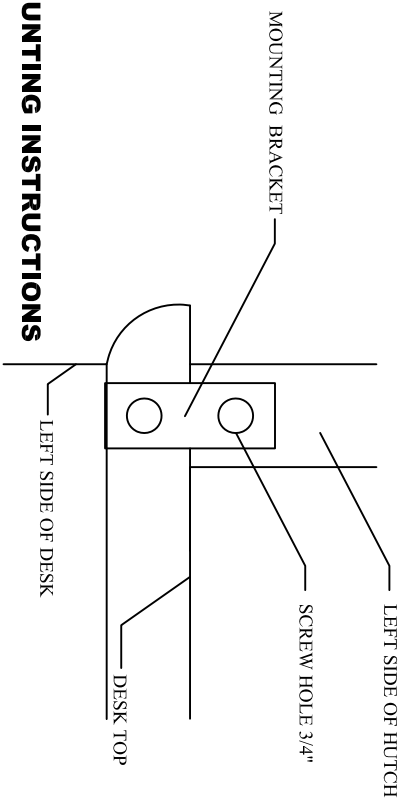


MOUNTING BRACKET DIAGRAM



MOUNTING BRACKET EXPLODED VIEW "A"



MOUNTING INSTRUCTIONS

1. CENTER HUTCH ON DESK TOP AT BACK.
2. ATTACH HUTCH TO DESK BY SCREWING #6 PAN SCREW THRU MOUNTING PLATE APPROX. 3/8" FROM TOP OF THE BACK OF THE DESK.
3. SCREW #6 PAN HEAD SCREW THRU MOUNTING BRACKET TO BACK OF HUTCH SIDE.
4. REPEAT TO OTHER SIDE.

FURNITURE TIPPING RESTRAINT WARNING

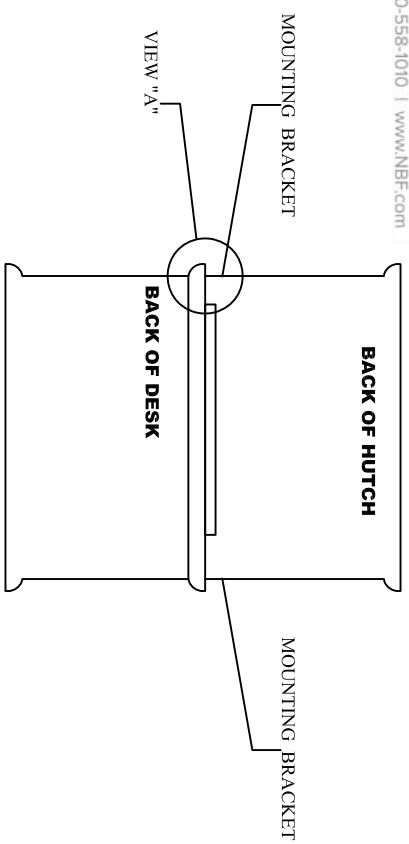
INJUR MAY RESULT FROM TIPPING FURNITURE

This restraint is not a substitute for proper adult supervision.
This restraint may provide protection against tipping furniture.

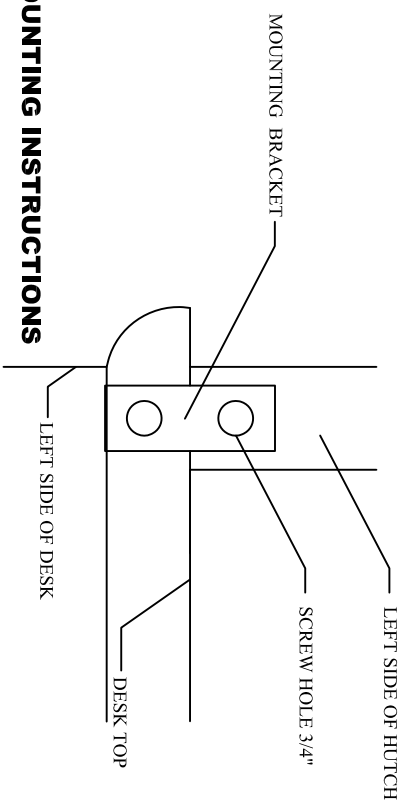
Do not allow children to climb on furniture.

Failure to detach this restraint before moving furniture may result in injury and damage

MOUNTING BRACKET DIAGRAM



MOUNTING BRACKET EXPLODED VIEW "A"



MOUNTING INSTRUCTIONS

1. CENTER HUTCH ON DESK TOP AT BACK.
2. ATTACH HUTCH TO DESK BY SCREWING #6 PAN SCREW THRU MOUNTING PLATE APPROX. 3/8" FROM TOP OF THE BACK OF THE DESK.
3. SCREW #6 PAN HEAD SCREW THRU MOUNTING BRACKET TO BACK OF HUTCH SIDE.
4. REPEAT TO OTHER SIDE.

FURNITURE TIPPING RESTRAINT WARNING

INJUR MAY RESULT FROM TIPPING FURNITURE

This restraint is not a substitute for proper adult supervision.
This restraint may provide protection against tipping furniture.

Do not allow children to climb on furniture.

Failure to detach this restraint before moving furniture may result in injury and damage