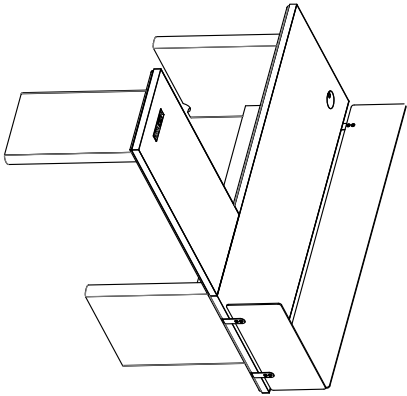
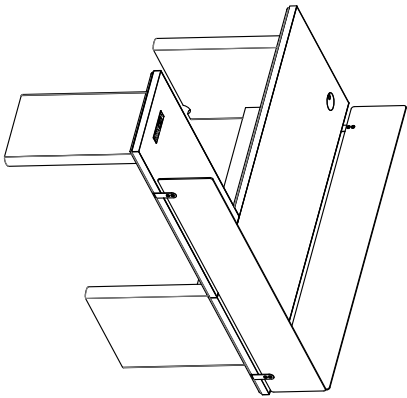
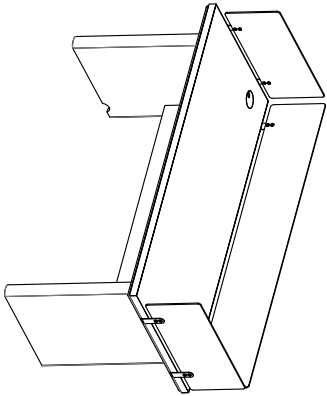
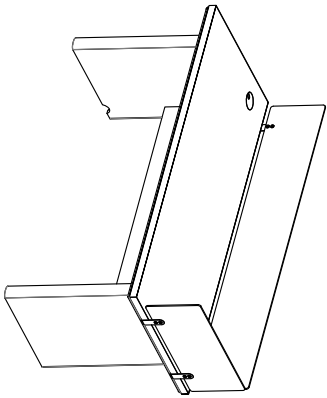
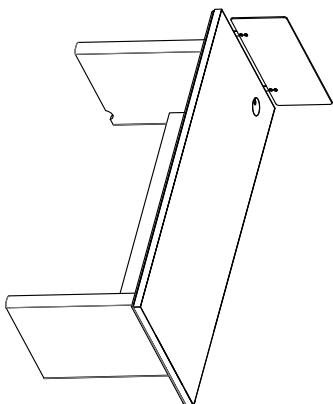
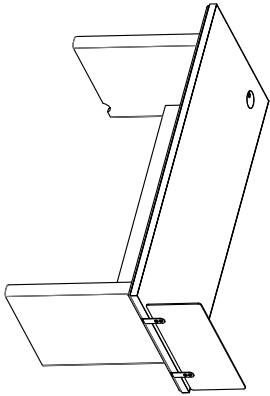
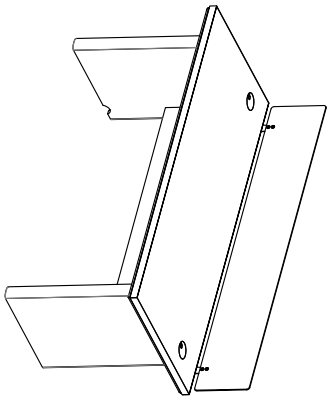


SM720 / SM720R SETUP INSTRUCTIONS



SM720 /SM720R

SETUP INSTRUCTIONS

OPTIONAL RETURN

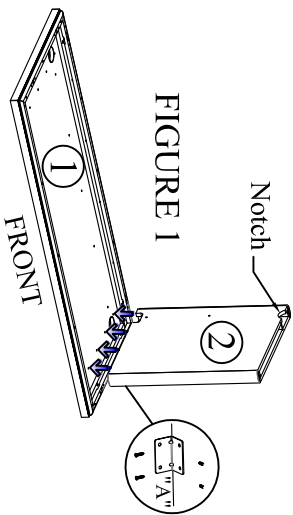


FIGURE 1

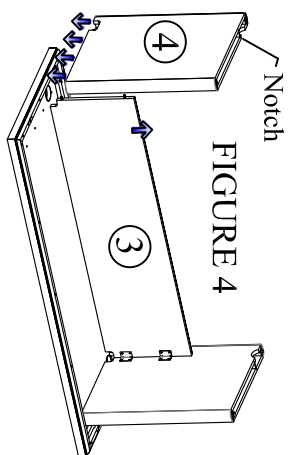


FIGURE 4

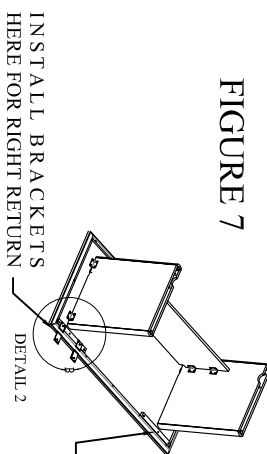
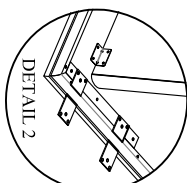


FIGURE 7



DETAIL 2

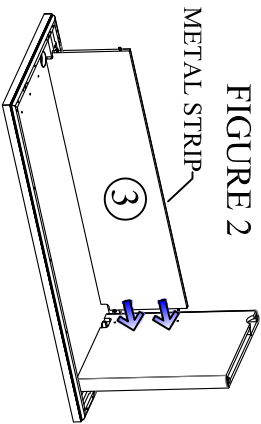
Notch

INSTALL BRACKETS
HERE FOR RIGHT RETURN

INSTALL BRACKETS
HERE FOR LEFT RETURN

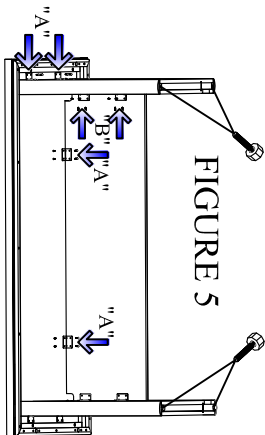
FRONT

FIGURE 2



METAL STRIP

FIGURE 5



Notch

FIGURE 8

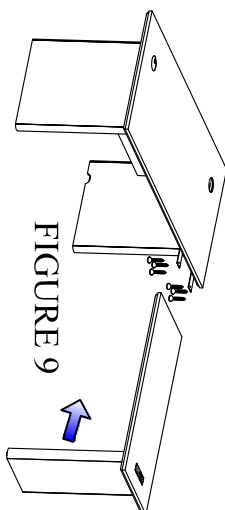
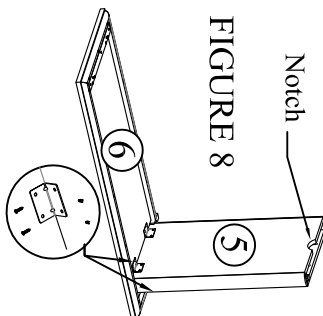


FIGURE 9

FIGURE 3

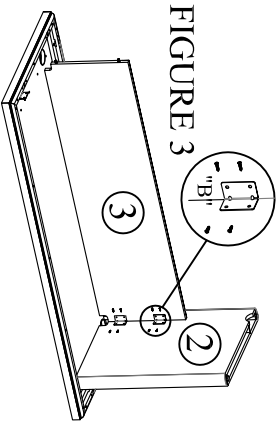
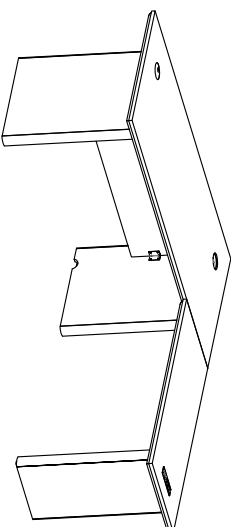
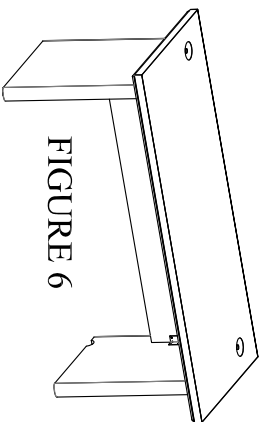


FIGURE 6



INSTRUCTIONS:

1. Unpack all from box.
2. Place the top (1) face down on a soft surface (can use the protective foam) (Fig.1)
3. Locate the LEFT leg (2) into dowel holes;referencing the circular notch, as shown (Fig.1).
4. Locate Modesty Panel (3) into the dowel holes on the inside of the leg (Fig. 2) **INSURE** the metal strip positioned to the outside of the kneehole.
5. Mount two (2) BROWN L-Brackets ("B") to connect the leg (2) to the Modesty Panel (3) using eight (8) 5/8" screws ("C") (Fig.3).
6. Locate RIGHT Leg (4) into position while slightly lifting the Modesty Panel (3) to align the holes (Fig.4).
7. Install two (2) BLACK L-Brackets ("A") to join Modesty Panel to Top, as shown using eight (8) 5/8" screws ("C") (Fig.5).
8. Install two (2) BROWN L-Brackets ("B") to join Modesty Panel to Legs, as shown using eight (8) 5/8" screws ("C") (Fig.5).
9. Install four (4) Levelers ("D"), (Fig.5)
10. **FOR RETURN INSTALLATION OPTION** Mount two (2) L-Brackets ("RE") to the Top using six (6) 1-1/4" Phil screws ("RD") (Fig. 7, Detail 2)
10. **With assistance** flip the unit into its final position (Fig.6).
11. Install leg (5) onto the return top (6);referencing the circular notch, using four BLACK L-Brackets ("RA") and (16) 5/8" screws ("RB"). Install (2) Levelers("RC") (Fig. 8).
12. Position the Return onto the brackets mounted in the step (9) and secure using six 1-1/4" Phil screw ("RD") (Fig.9).
13. Add Grommets ("E") to desk.

No:	Hardware List SM720	Qty
A	L-BRACKET - BLACK	6
B	L-BRACKET - BROWN	4
C	6X5/8" PHIL FLAT PBS BLACK	40
D	HEX HEAD LEVELER	4
E	GROMMET	2

No:	Hardware List SM720R	Qty
RA	L-BRACKET	4
RB	6X5/8" PHIL FLAT PBS BLACK	16
RC	HEX HEAD LEVELER	2
RD	#8 X 1 1/4 PHIL RND WASHER SCREW	12
RE	RETURN BRACKET	2

REV. A.