



Leaders in Reception Seating

Lesro Industries, Inc.  
1 Griffin Road South  
Bloomfield, CT  
06002

Phone  
860.243.3226  
Fax  
860.243.5392  
www.lesro.com

# Assembly Instructions For Brooklyn Guest Chairs

**Tools required:** Rubber mallet and 9/16" ratchet (Ratchet needed for 3-, 4- and 5- seaters only.)

**Note:** These instructions are intended for various models and configurations. Your products may not look exactly as those shown in the diagrams.

**Important:** The assembly process requires that some hardware be kept loose until later in the sequence. Follow these instructions closely to ensure correct assembly.

**Recommendation:** Retighten all bolts on a seasonal basis to ensure your product remains strong and stable for many years of use.

**Weight Capacity:** All guest chairs in these series have a weight capacity of **275 lbs.** per seat unless otherwise stated.

## Single Guest and 2-Seaters

1. Unpack and identify all parts.
2. The back cushion for the Brooklyn chair is held in place by **interlocking wedge hardware**, as shown in figures 1 and 2. Note that the wedges are correctly "locked" when the inner wedge comes into contact with the top flap of the outer wedge, and the bottom edges align, as shown in figure 2. Avoid excessive force or damage to the wedges may occur.
3. With the chair upright on a level surface, attach the back cushion to the leg frames by aligning the interlocking wedges on each side and sliding them together simultaneously, as shown in figures 3 and 4. Use your hands to apply downward pressure to the back cushion, using care that the wedges on both sides are properly aligned and connected simultaneously. You should feel the wedges slide together and tighten. Do not attempt to insert one side ahead of the other.
4. Use your fist, palm of your hand or a rubber mallet to gently pound the back cushion down until the interlocking wedges are "locked" together, as shown in figure 2. Be sure to protect the upholstery with a towel, clean cardboard, or other such material. A standard hammer is not recommended for this procedure.
5. Once the wedges are correctly locked, your chair is ready to use.

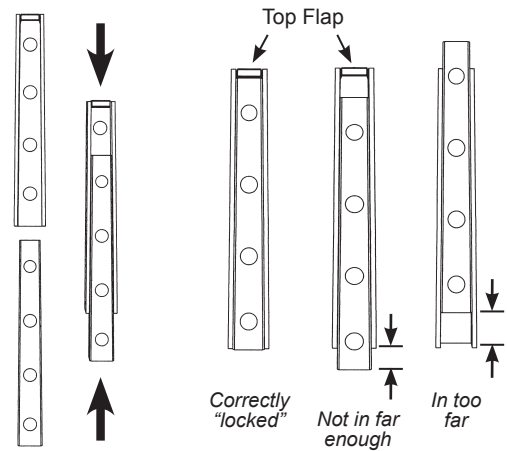


Fig 1

Fig 2

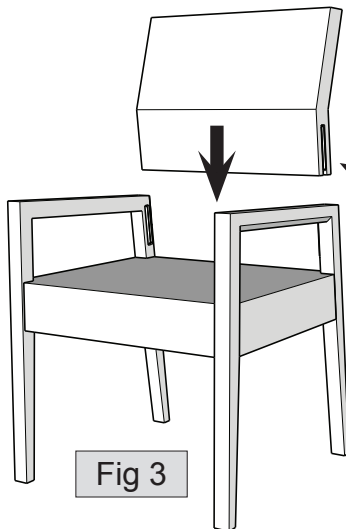


Fig 3

Interlocking wedge hardware

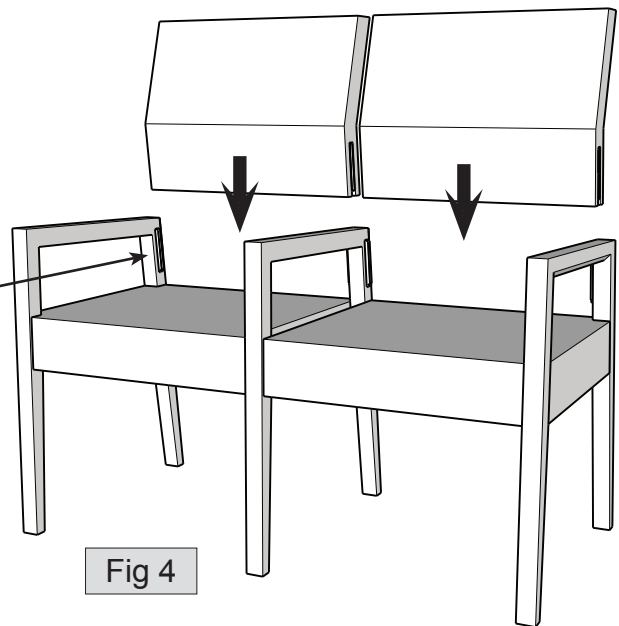


Fig 4

Thank you for purchasing a Lesro product.  
Need assistance with assembly? Call Lesro customer service 1-800-275-7545.

Visit us on-line at [www.lesro.com](http://www.lesro.com)

### 3 - Seater

1. Unpack and identify all parts.
2. Connect center seat cushion to left and right chair frames using 5" bolts, washers and nuts, as shown in figure 5. Once all 4 bolts are started, tighten all securely.
3. With the chairs upright on a level surface, attach the back cushions to the leg frames according to the instructions on page 1 of this instruction sheet.

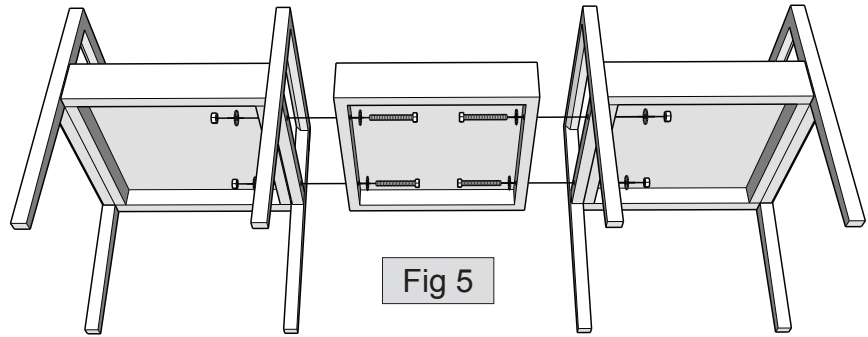


Fig 5

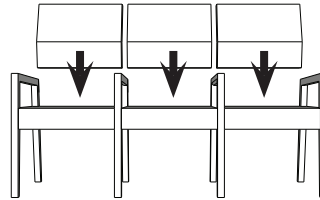


Fig 6

### 4 - Seater

1. Unpack and identify all parts.
2. Connect center seat cushion to left and right seat frames using 5" bolts, washers and nuts, as shown in figure 7. Once all bolts are started, tighten securely.
3. With the chairs upright on a level surface, attach the back cushions to the leg frames according to the instructions on page 1 of this instruction sheet.

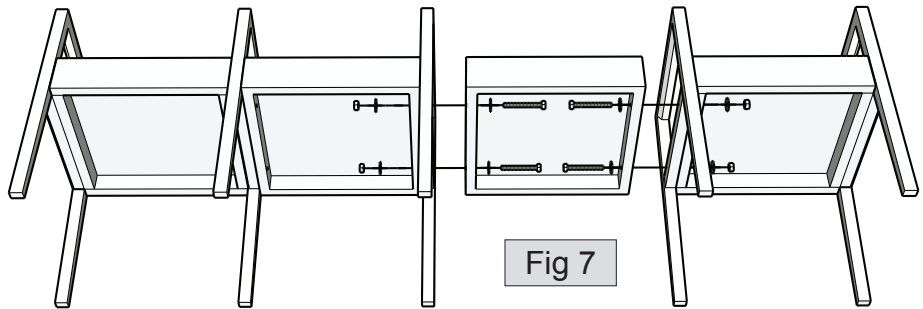


Fig 7

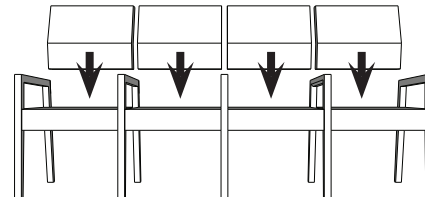


Fig 8

### 5 - Seater

1. Unpack and identify all parts.
2. Connect center seat cushions (2) to left, right and center seat frames using 5" bolts, washers and nuts, as shown in figure 9.
3. Once all bolts are started, tighten securely.
4. With the chairs upright on a level surface, attach the back cushions according to the instructions on page 1 of this instruction sheet.

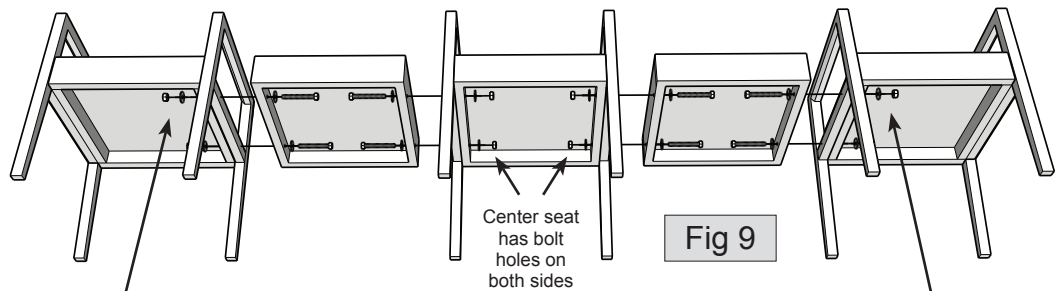


Fig 9

Right sitting seat has bolt holes on one side only

Center seat has bolt holes on both sides

Left sitting seat has bolt holes on one side only

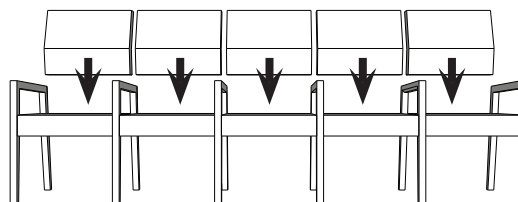


Fig 10