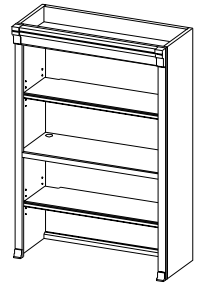


ASSEMBLY INSTRUCTIONS



aspenhome®

Distributed by Furniture Values International, LLC



ITEM NO: I49-343-2 Open Hutch

HARDWARE PACK

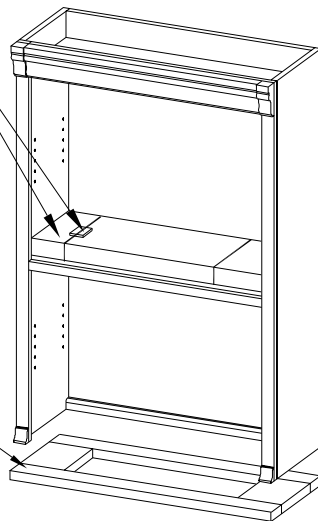
- Shelf Bracket 8 Pcs
- U Bracket 1 Pc
- Wood Screw 2 Pcs

COMPONENTS LIST

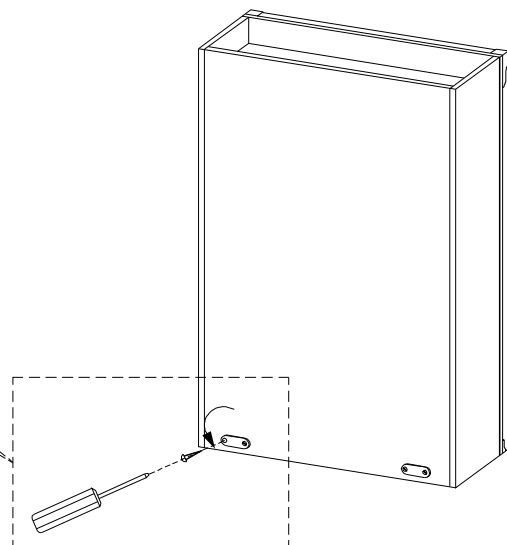
- Shelf 2 Pcs

Wood shelves and hardwarepack. Do not trash.

Take this skid off and discard.



Take off one screw from each mounting plate and swing it to the proper location on the base before resecuring it with the screw.



ASSEMBLY INSTRUCTIONS

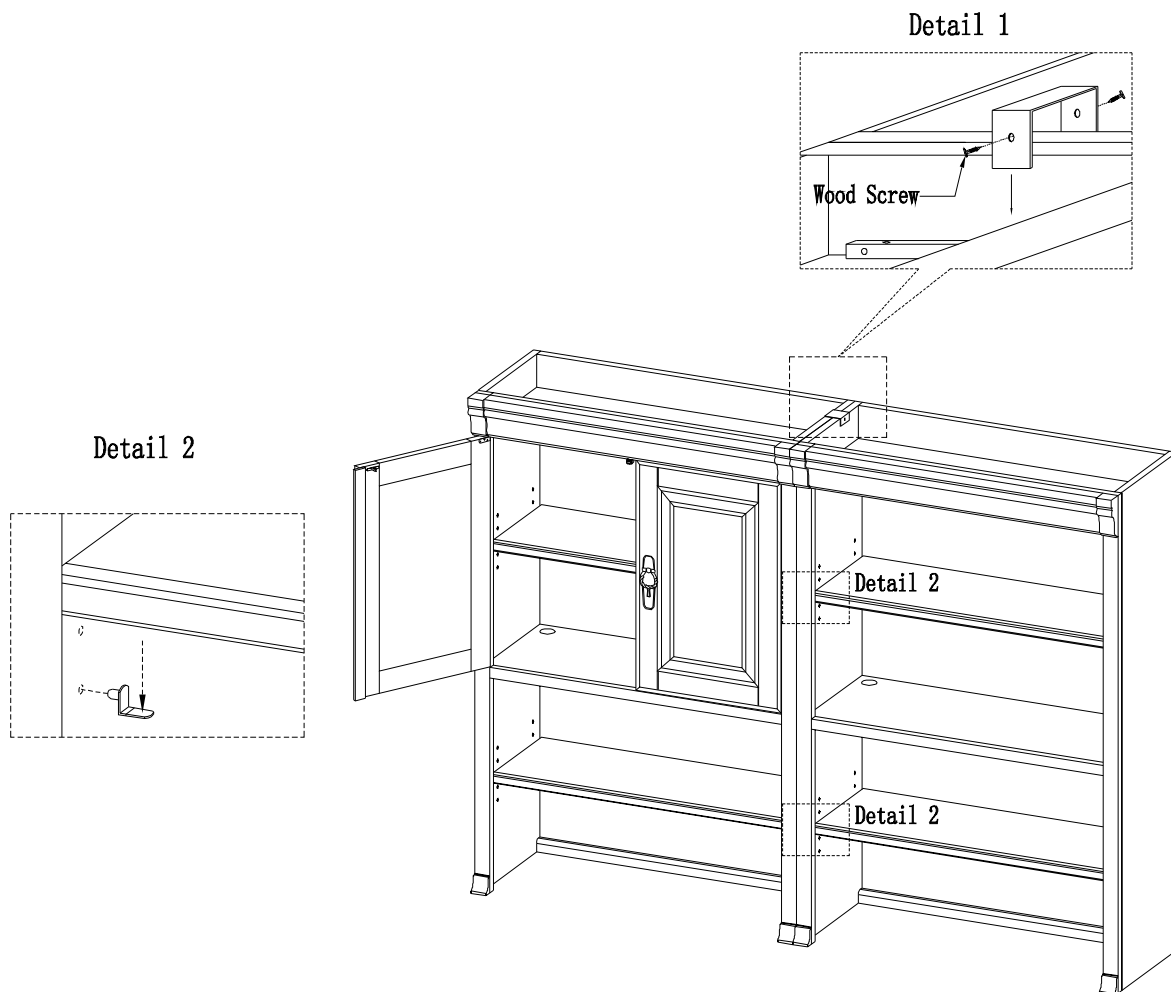
Page 2/2



aspenhome®

Distributed by Furniture Values International, LLC

ITEM NO: I49-343-2 Open Hutch



1. Open the box and remove the bottom skid.
2. Take out the shelves and hardware pack.
3. Insert the shelf brackets into the holes in the side panels and place the shelves on as shown in detail 2.
4. Use the U bracket to secure the bookcases together. Line up the front moldings before you tighten the screws, as shown in detail 1.

MADE IN VIETNAM

2012-06-14