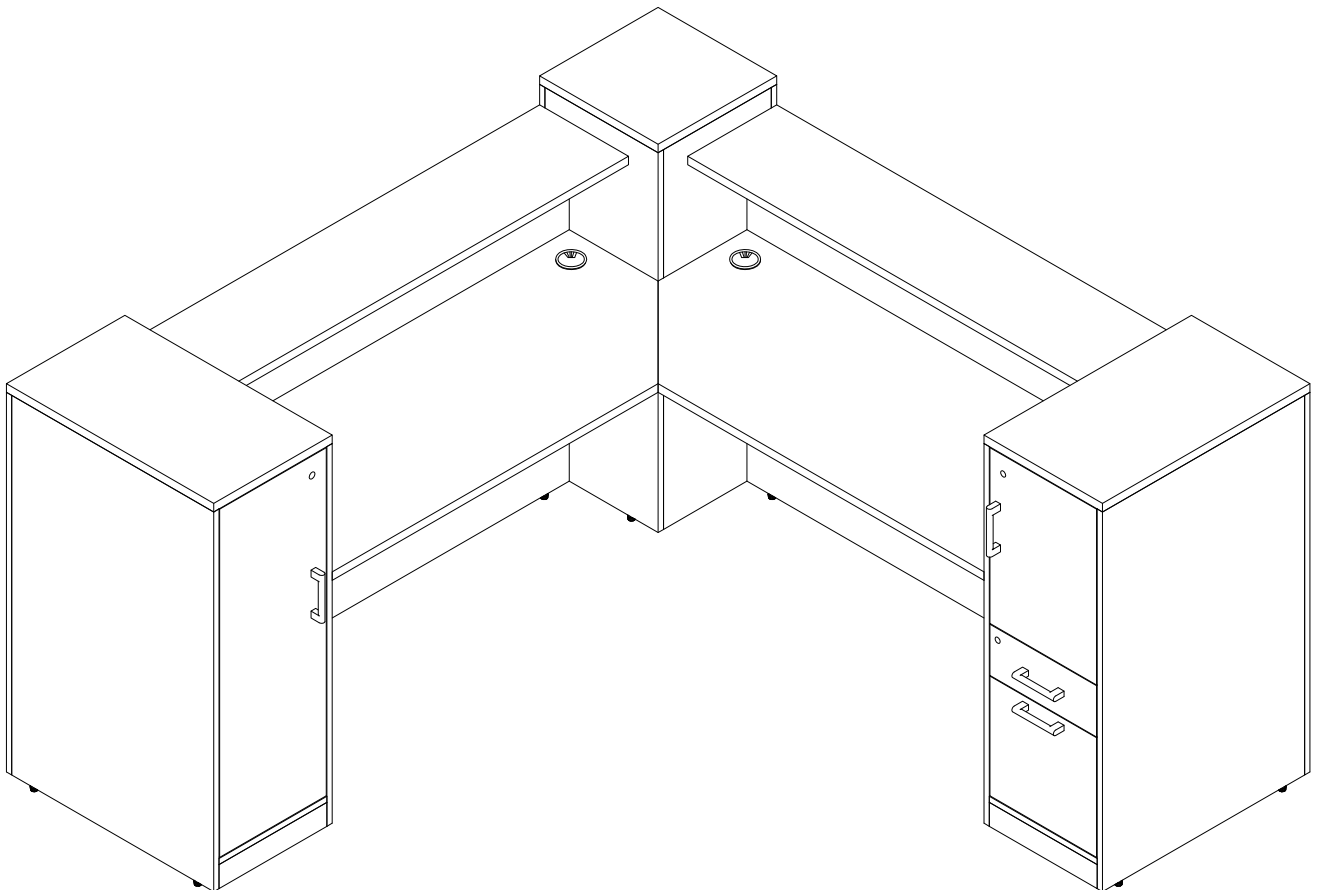




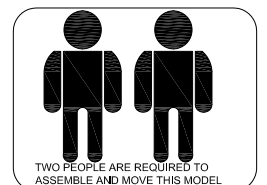
Signature Series

800-558-1010 | WWW.NBF.COM

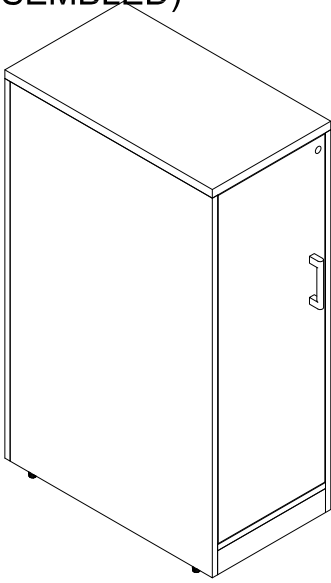
THE TOWER RECEPTION DESK Assembly Instructions



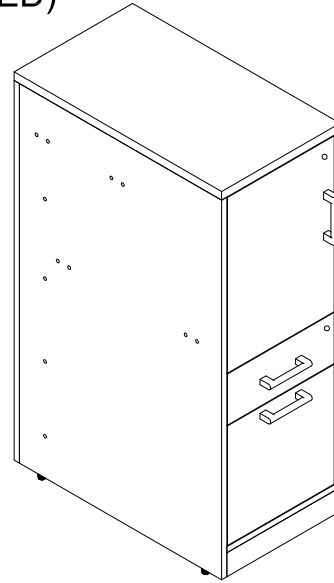
NRC2216M



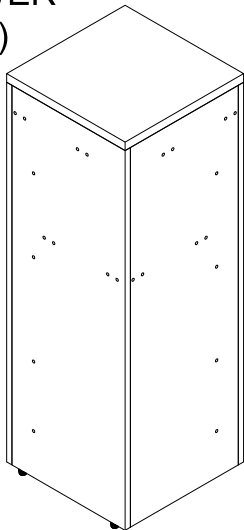
COMPONENT 1
WARDROBE TOWER
(ASSEMBLED)



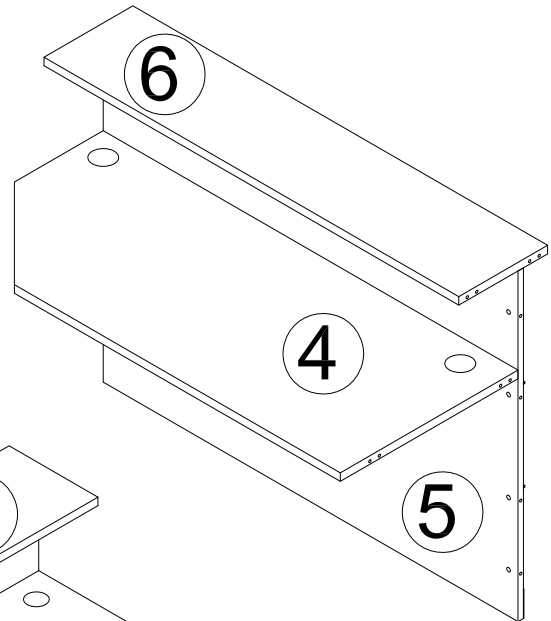
COMPONENT 2
STORAGE TOWER
(ASSEMBLED)



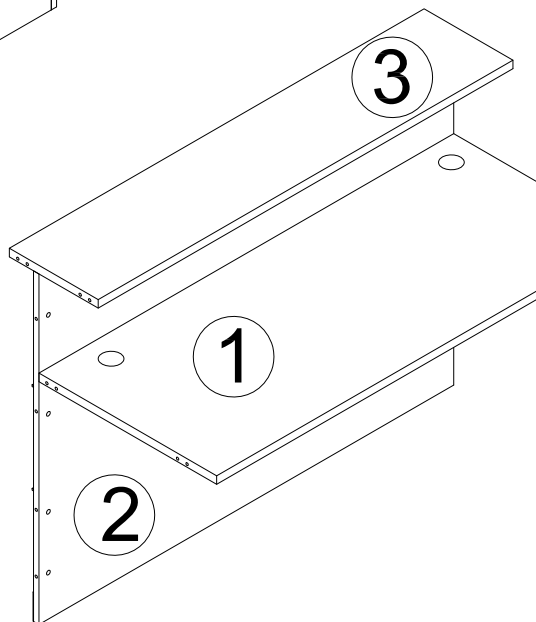
COMPONENT 3
CENTER TOWER
(ASSEMBLED)



COMPONENT 5
RIGHT DESK


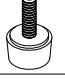

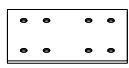
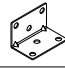



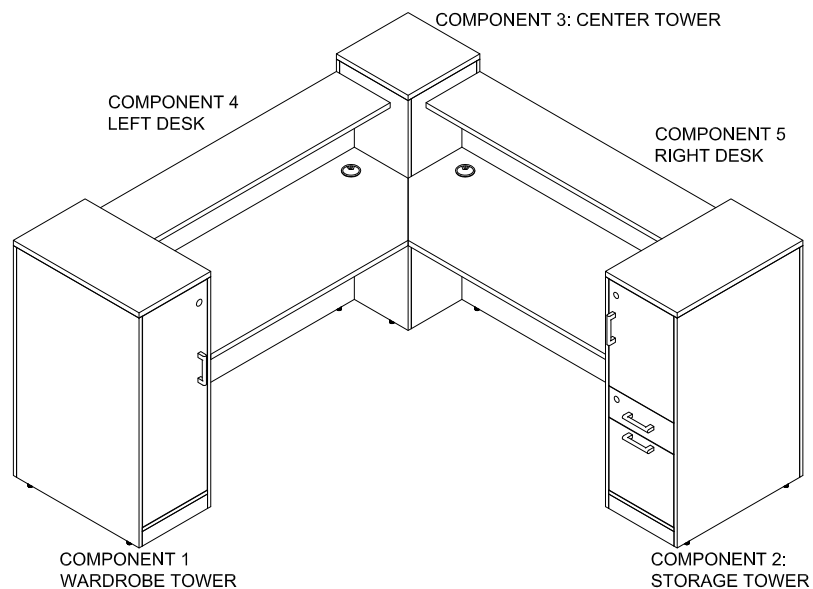
COMPONENT 4
LEFT DESK



LEAVE PROTECTIVE FOAM ON BOTTOMS OF TOWERS UNTIL AFTER STEP 1 OF EACH TOWER.

Assembly Hardware

S/N	PICTURE	NAME	QTY	UNIT	REMARK
A		Cam Screw	44+1	PCS	
B		Klix Cam	44+1	PCS	
C		Cam Cover Sticker	44+1	PCS	
D		Dowel	20+1	PCS	
E		Leveler	12	PCS	
F		Hanging Rail	1	PCS	
G		Ø4*16 Screw	60+1	PCS	
H		Shelf Screw	16+1	PCS	
I		Connecting Plate	1	PCS	
J		L-bracket	10	PCS	
K		File Bar	2	PCS	
L		File Rod	1	PCS	
M		Grommet	4	PCS	
N		Ø4*12 Screw	8	PCS	
O		Handle	4	SET	



COMPONENT 1: WARDROBE TOWER (SET UP)

1. INSTALL "E" LEVELERS AT THE BOTTOM OF THE TOWER BEFORE REMOVING THE PROTECTIVE FOAM.

E(4X)

2. INSTALL "H" SHELF SCREWS ON INSIDE SIDE PANELS.

H(4X)

3. REMOVE "O" HANDLE AND SCREWS FROM INSIDE DOOR PANEL , THEN ATTACH HANDLE TO THE DOOR USING PRE-INSTALLED SCREWS.

O(1X)

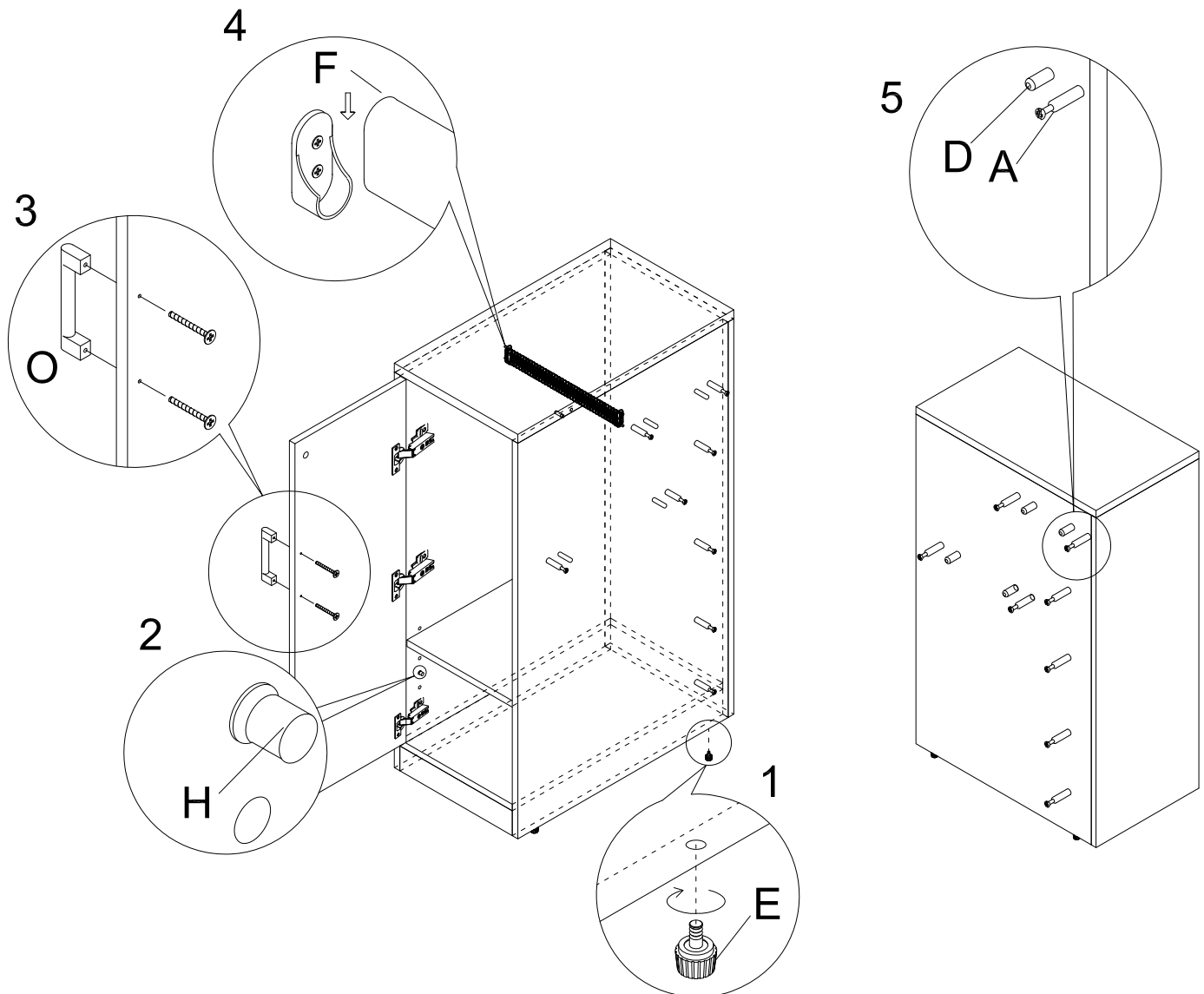
4. INSTALL THE "F" HANGING RAIL WITH PRE-INSTALLED L-BRACKET.

F(1X)

5. INSTALL "A" CAM SCREWS AND "D" DOWEL ON THE OUTSIDE RIGHT FACING SIDE OF UNIT.

A(8X)

D(4X)



COMPONENT 2: STORAGE TOWER (SET UP)

1. INSTALL "E" LEVELERS AT THE BOTTOM OF THE TOWER BEFORE REMOVING THE PROTECTIVE FOAM.

E(4X)

2. INSTALL "H" SHELF SCREWS ON INSIDE SIDE PANELS.

H(12X)

3. REMOVE "O" HANDLE AND SCREWS FROM INSIDE DOOR PANEL, THEN ATTACH HANDLE TO THE DOOR AND DRAWERS USING PRE-INSTALLED SCREWS.

O(3X)

4. INSTALL "A" CAM SCREWS AND "D" DOWELS ON THE OUTSIDE LEFT FACING SIDE OF UNIT.

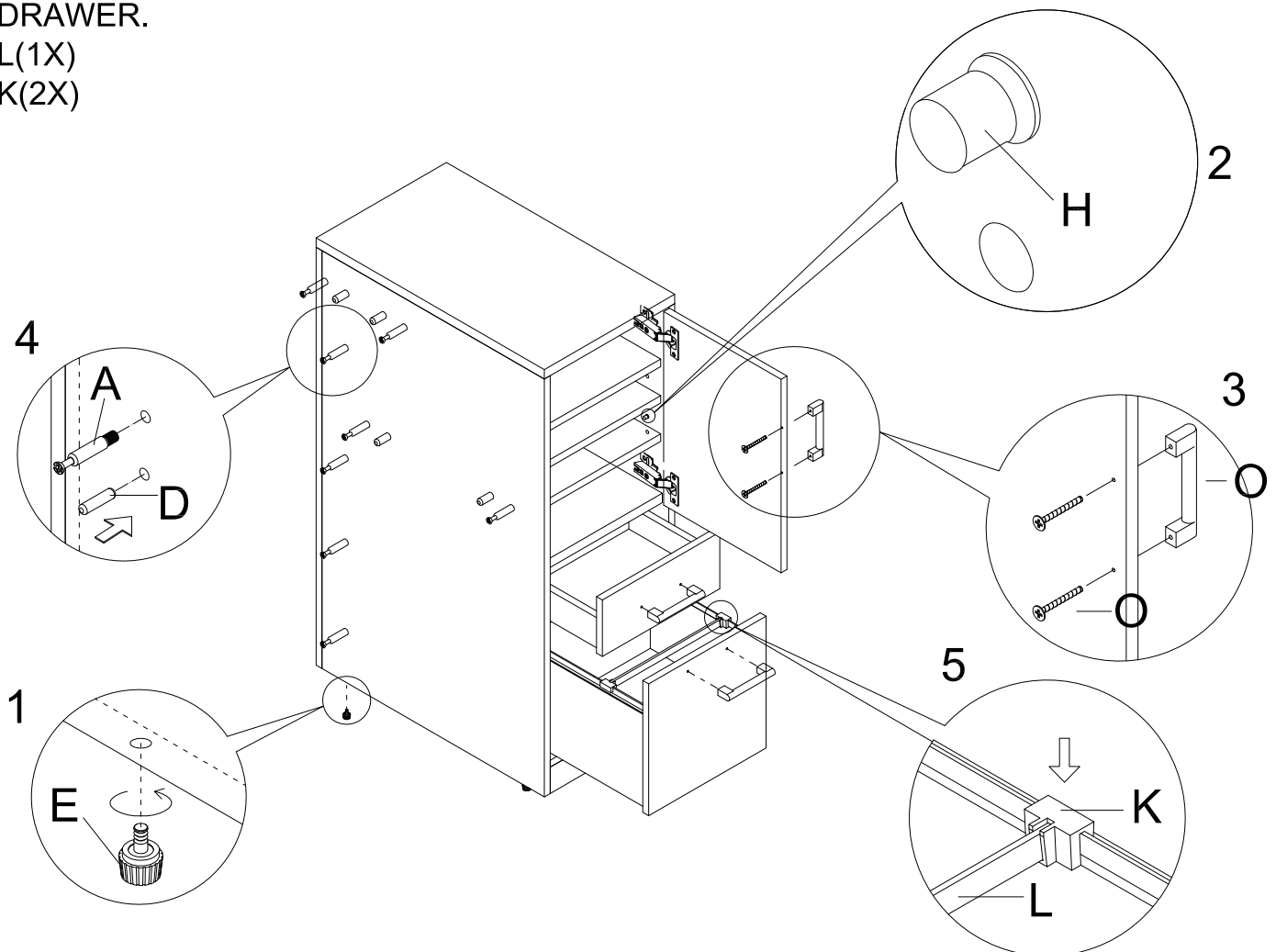
A (8X)

D (4X)

5: INSTALL "L" FILE ROD USING "K" FILE BAR ON BOTH SIDE PANELS OF FILE DRAWER.

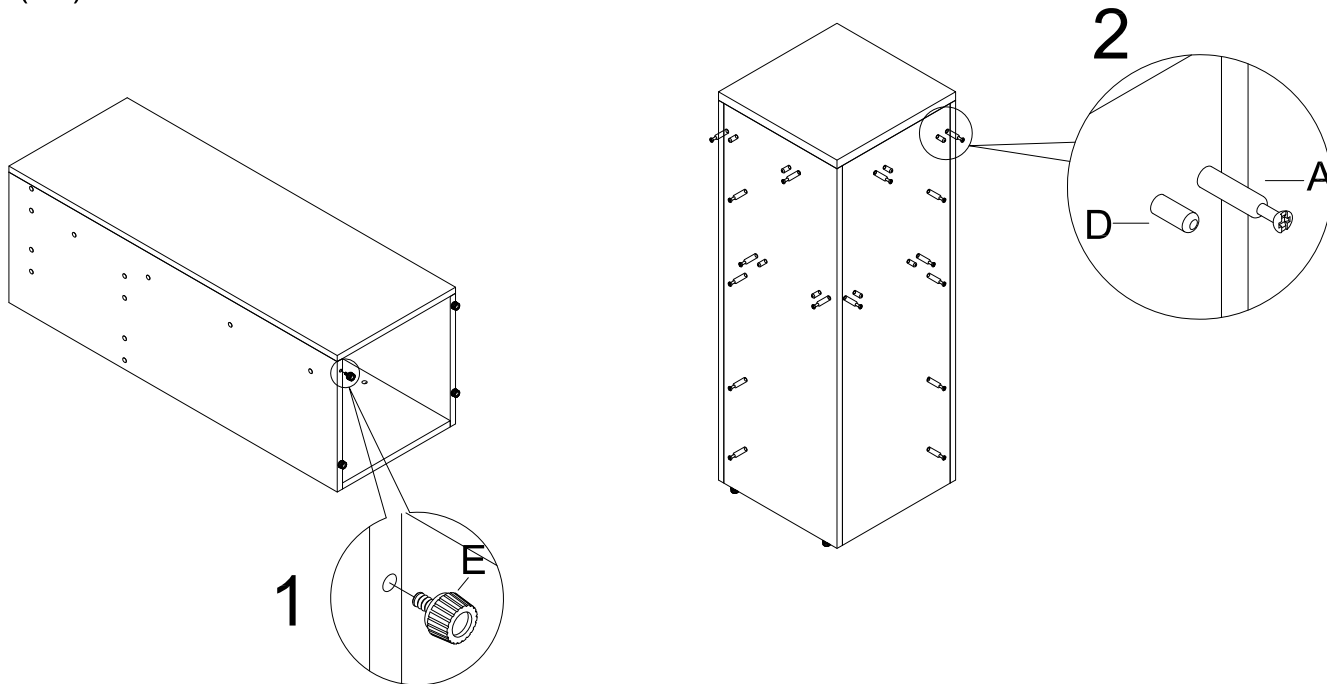
L(1X)

K(2X)



COMPONENT 3: CENTER TOWER (SET UP)

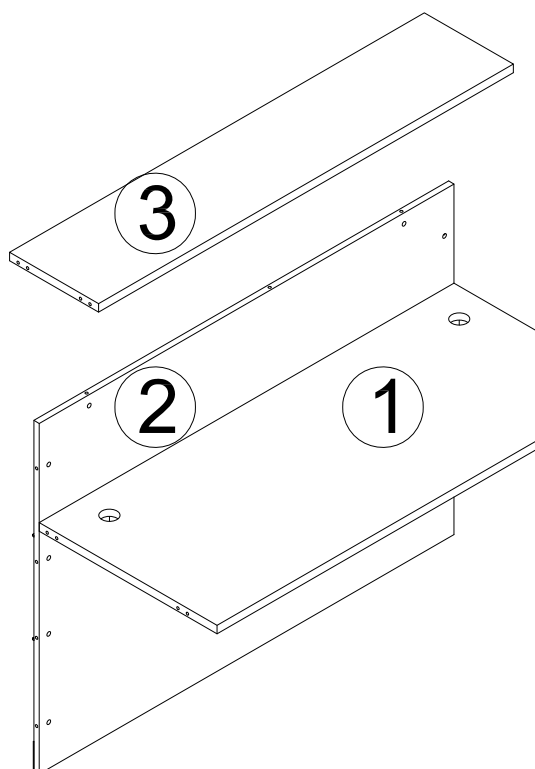
1. INSTALL "E" LEVELERS AT THE BOTTOM OF THE CABINET BEFORE REMOVING THE PROTECTIVE FOAM.
E(4X)
2. INSTALL "A" CAM SCREWS AND "D" DOWELS ON BOTH OUTSIDE SIDE PANELS.
A(16X)
D(8X)



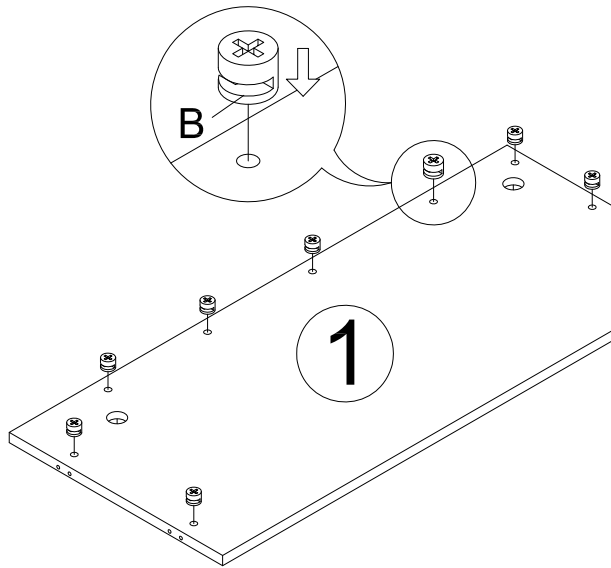
COMPONENT 4 : LEFT DESK

PARTS LIST

- ① DESK TOP
- ② FRONT PANEL
- ③ COUNTER TOP

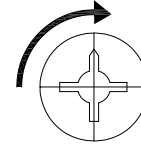


1. INSERT "B" KLIX CAMS ON UNDERSIDE OF DESK TOP PANEL ① .
B(8X)



IMPORTANT:

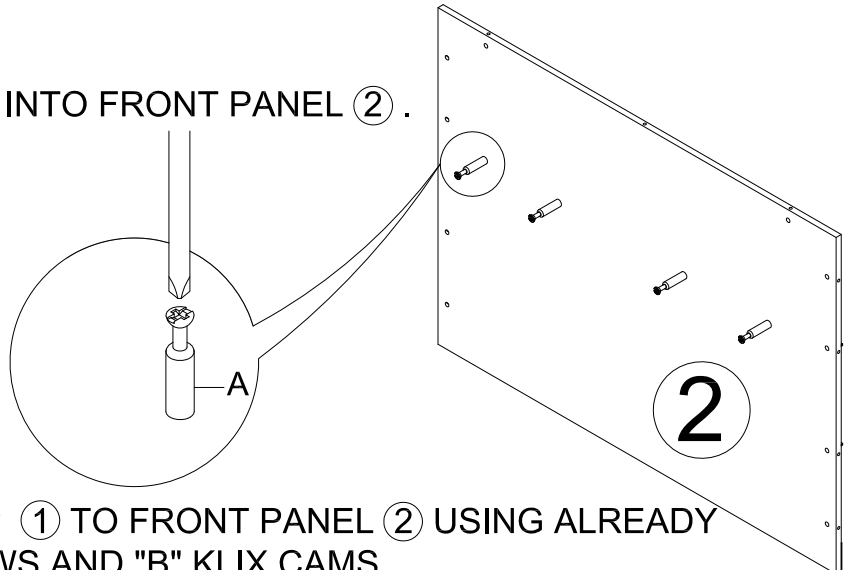
FUNCTION OF KLIX CAM



1/4 RIGHT
TURN FOR
LOCKING

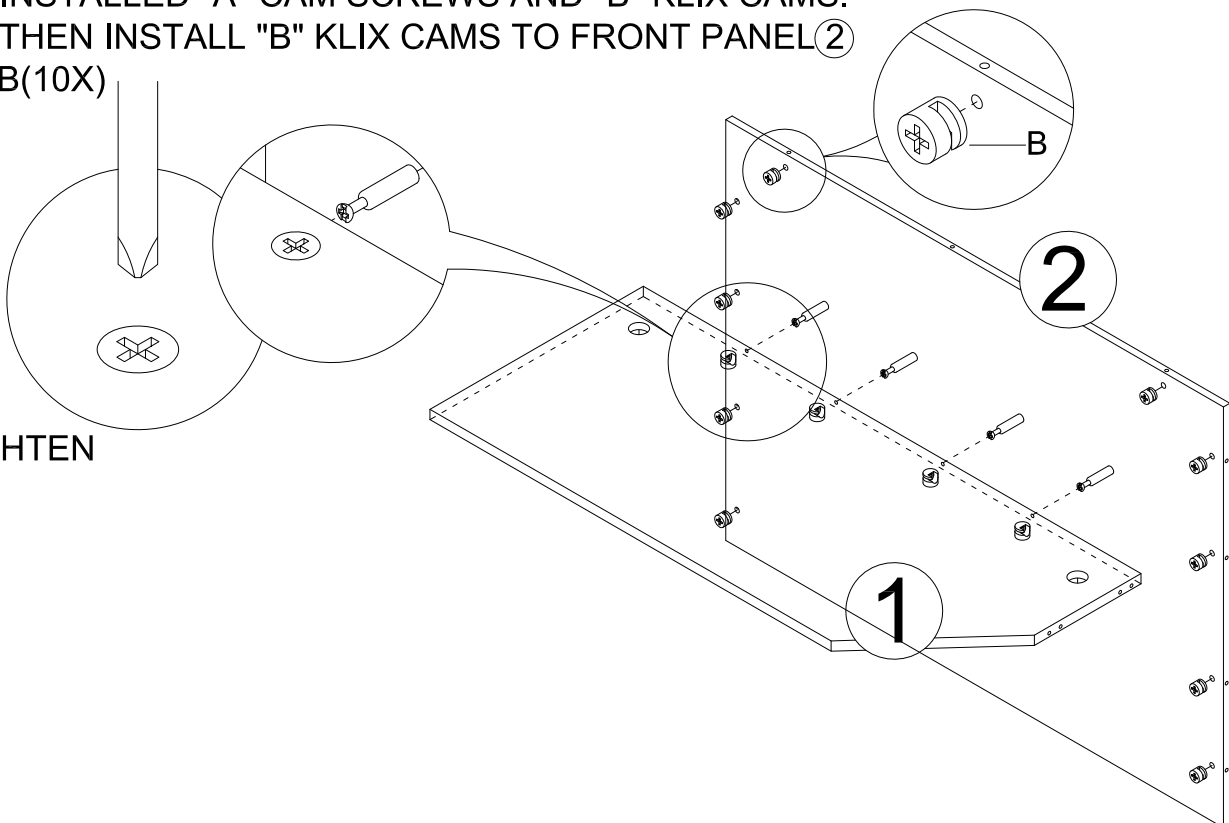
MAKE SURE THE ARROW IS
POINTING UPWARDS BEFORE
INSERTING INTO THE PANELS
HOLE

2. INSERT "A" CAM SCREWS INTO FRONT PANEL ② .
A(4X)



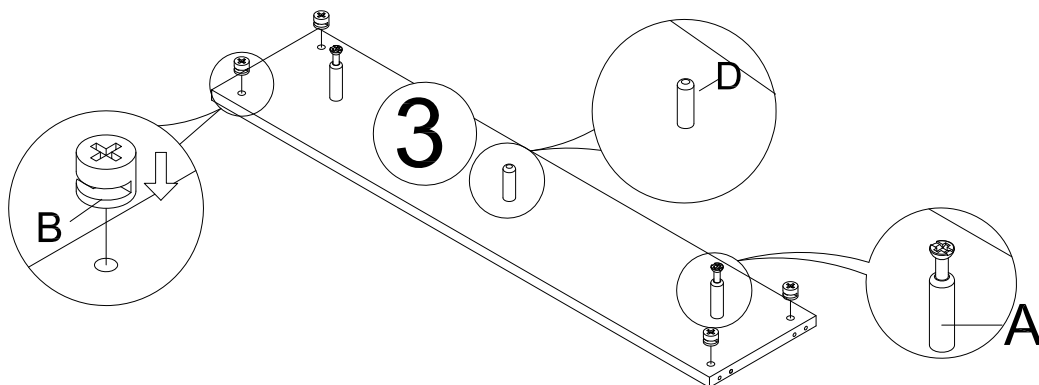
3. ATTACH DESK PANEL TOP ① TO FRONT PANEL ② USING ALREADY
INSTALLED "A" CAM SCREWS AND "B" KLIX CAMS.
THEN INSTALL "B" KLIX CAMS TO FRONT PANEL ②
B(10X)

TIGHTEN

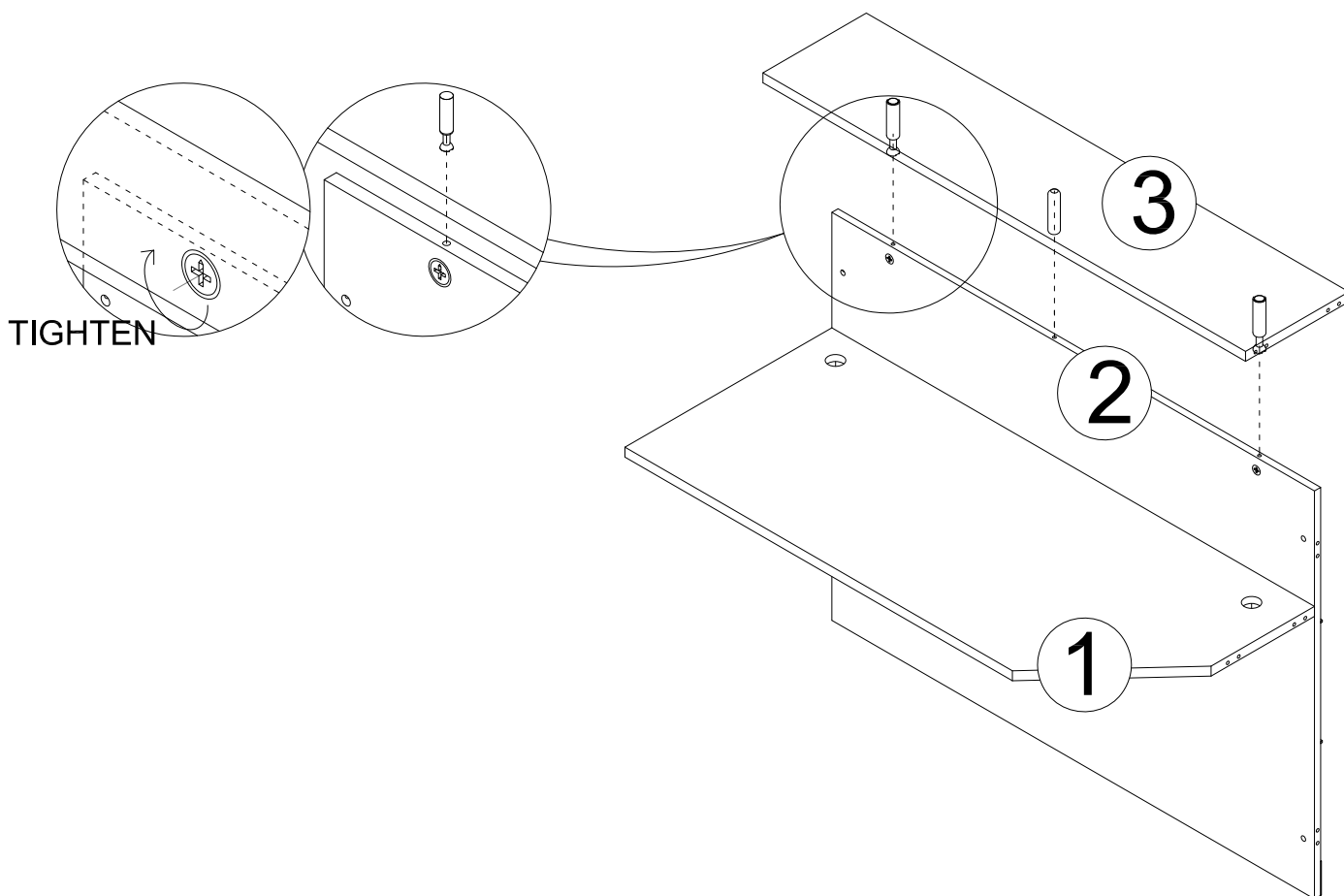


4. INSTALL "A" CAM SCREWS, "D" DOWELS AND "B" KLIX CAMS ON THE UNDERSIDE OF COUNTER TOP ③.

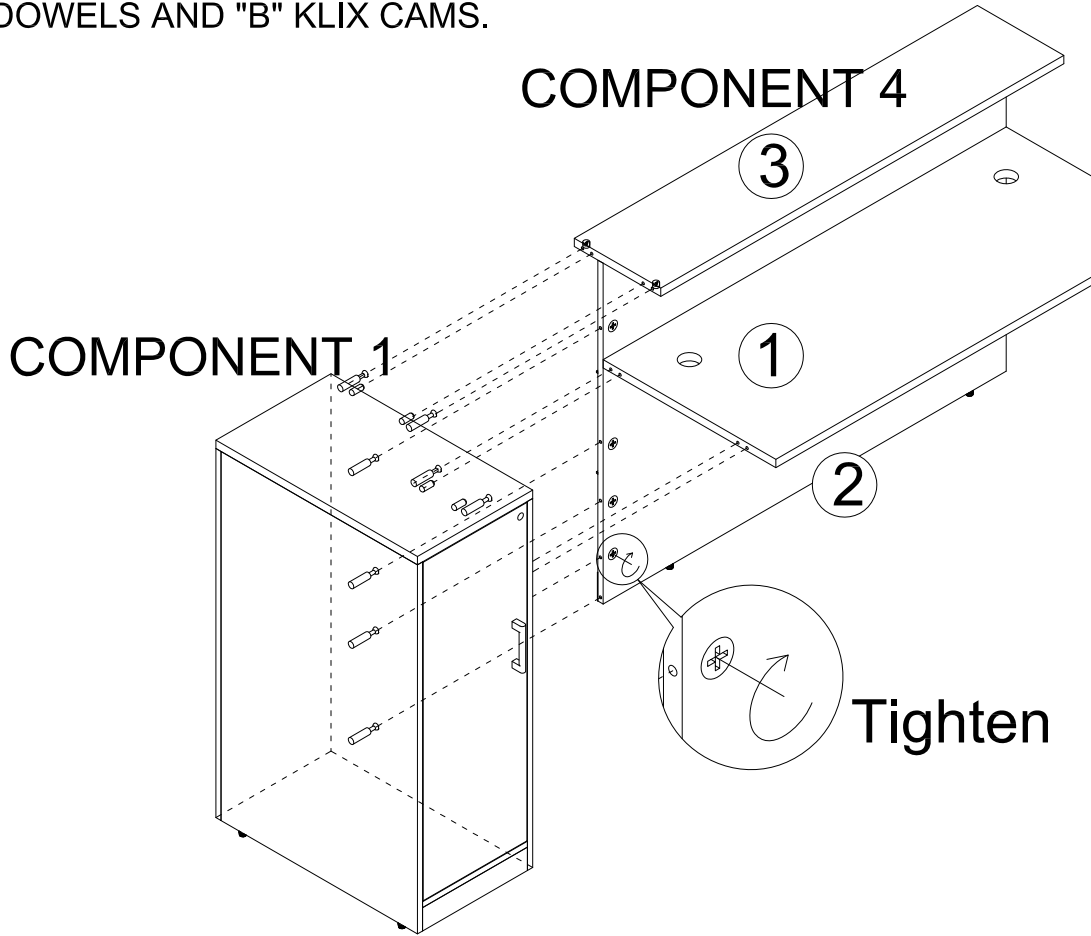
- A(2X)
- B(4X)
- D(1X)



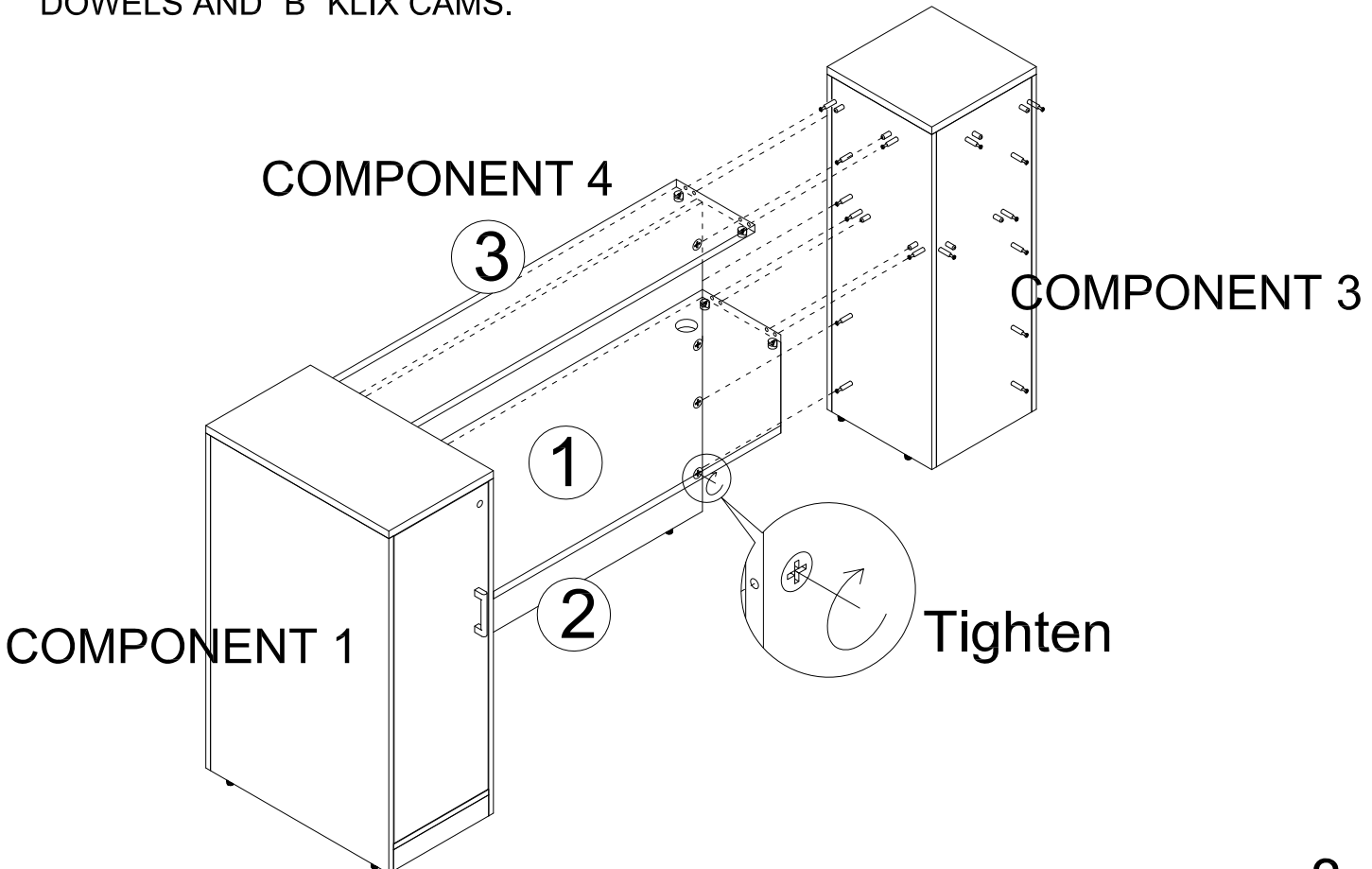
5. CONNECT COUNTER TOP PANEL ③ TO FRONT PANEL ② USING ALREADY INSTALLED "A" CAM SCREWS, "D" DOWELS AND "B" KLIX CAMS .



6. CONNECT COMPONENT 1 & 4 USING ALREADY PLACED "A" CAM SCREWS, "D" DOWELS AND "B" KLIX CAMS.



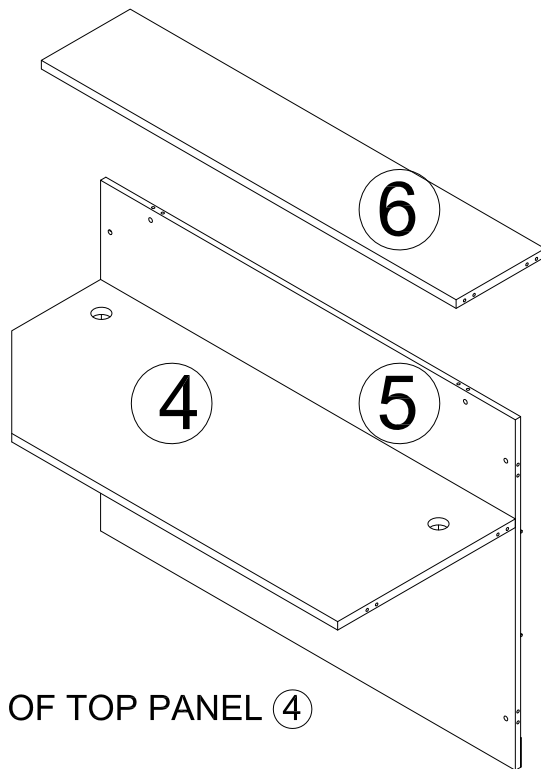
7. CONNECT COMPONENT 4 & 3 USING ALREADY PLACED "A" CAM SCREWS, "D" DOWELS AND "B" KLIX CAMS.



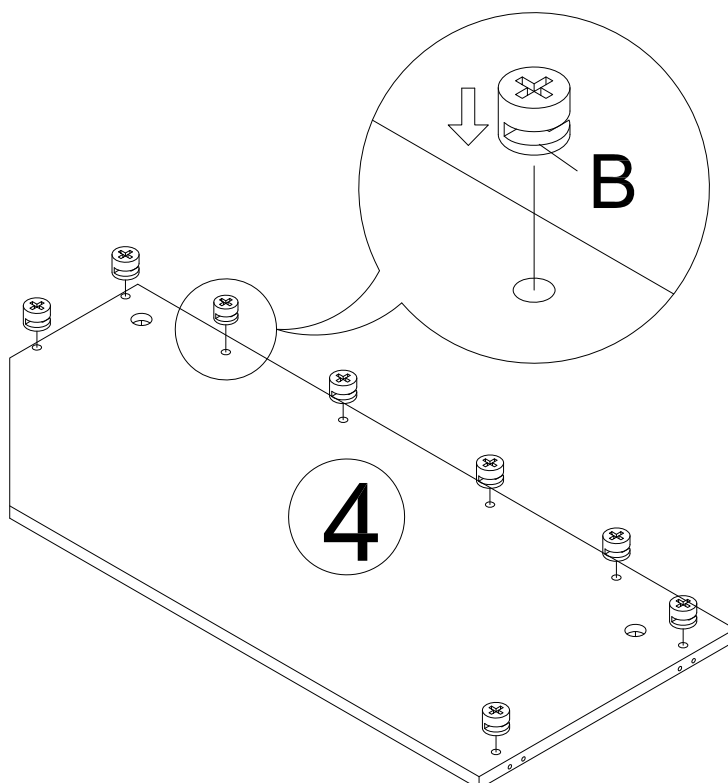
COMPONENT 5 : RIGHT DESK

PARTS LIST

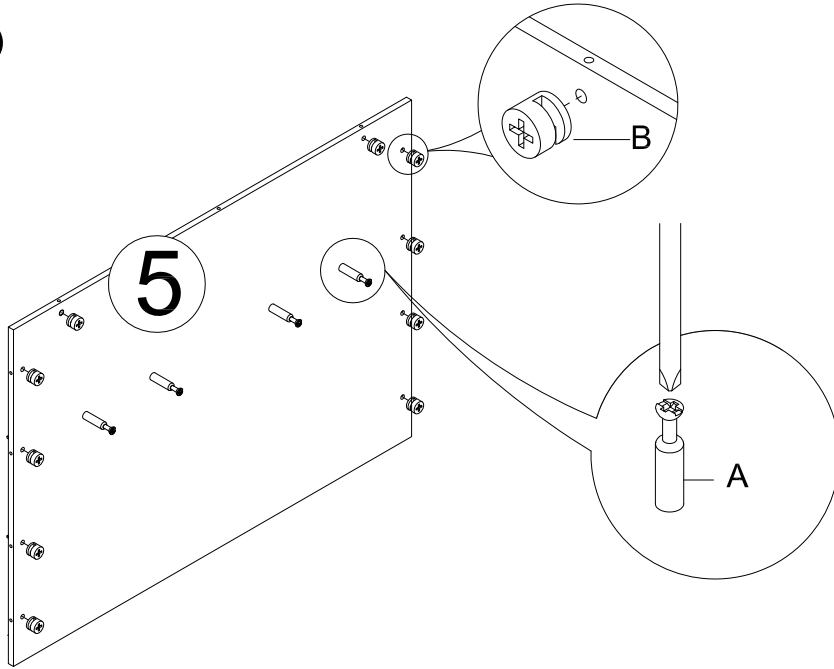
- ④ DESK TOP
- ⑤ FRONT PANEL
- ⑥ COUNTER TOP



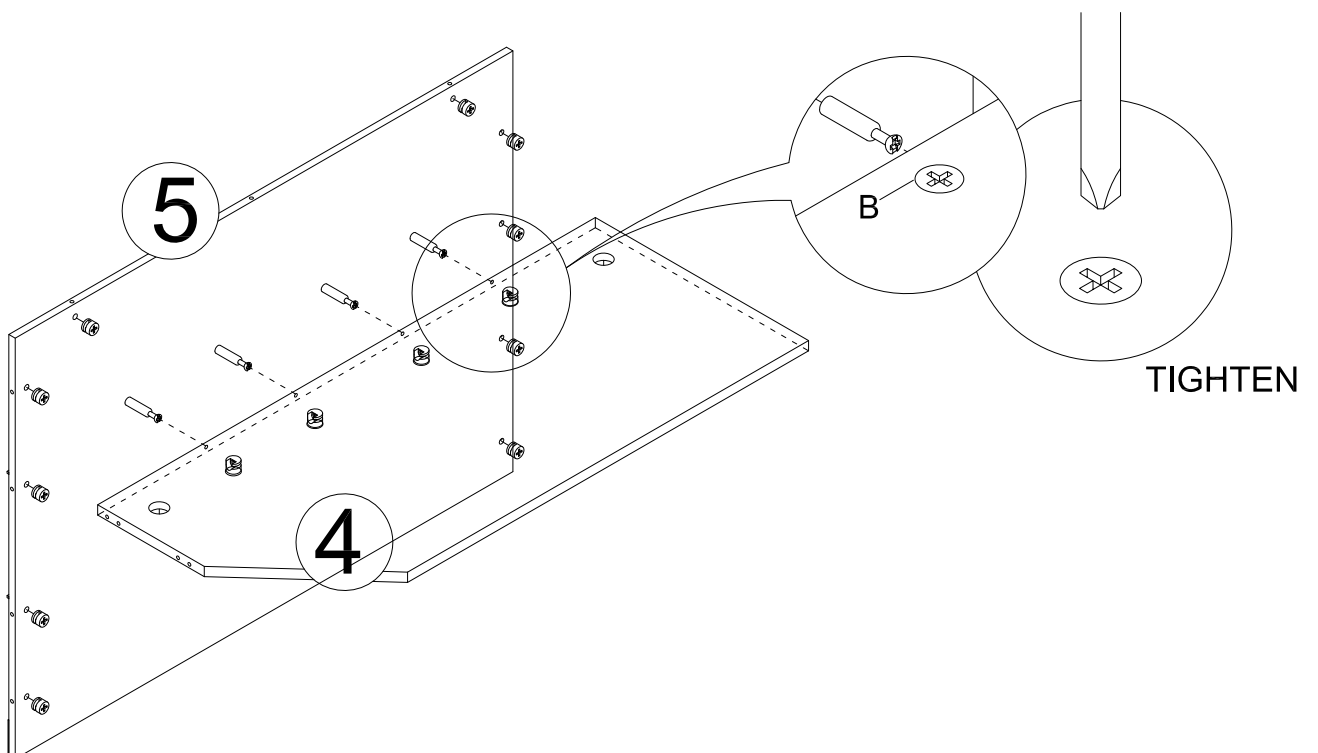
1. INSERT "B" KLIX CAMS ON UNDERSIDE OF TOP PANEL ④
B(8X)



2. INSERT "A" CAM SCREWS AND "B" KLIX CAMS INTO FRONT PANEL ⑤.
A(4X)
B(10X)



3. ATTACH DESK PANEL TOP ④ TO FRONT PANEL ⑤ USING ALREADY INSTALLED "A" CAM SCREWS AND "B" KLIX CAMS.

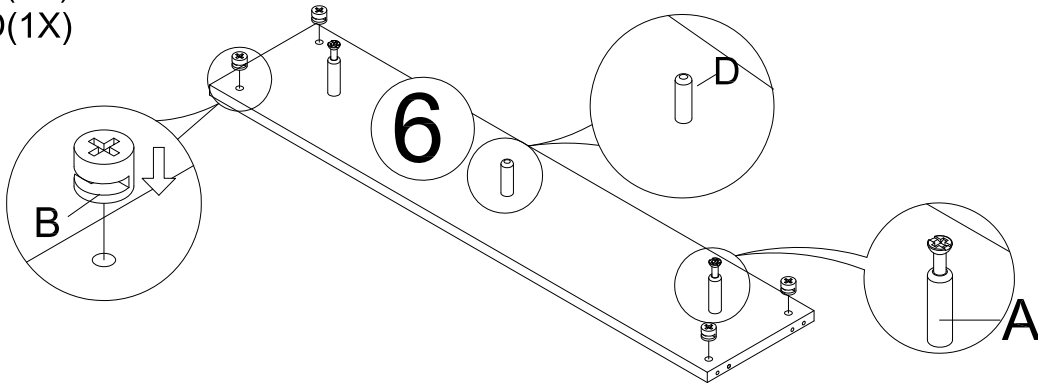


4. INSTALL "A" CAM SCREWS, "D" DOWELS AND "B" KLIX CAMS ON THE UNDERSIDE OF COUNTER TOP ⑥.

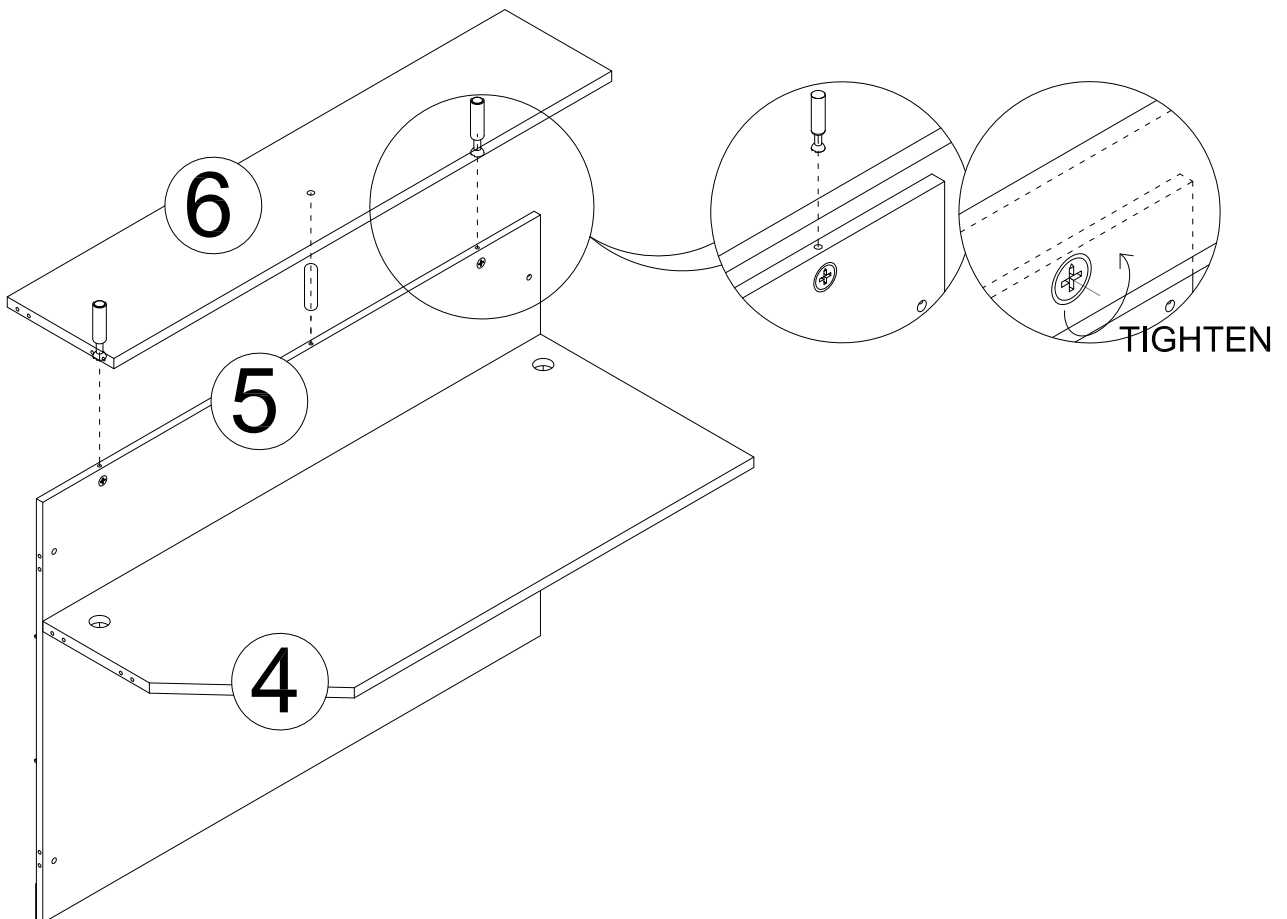
A(2X)

B(4X)

D(1X)



5. CONNECT COUNTER TOP PANEL ⑥ TO FRONT PANEL ⑤ USING ALREADY INSTALLED "A" CAM SCREWS, "D" DOWELS & "B" KLIX CAMS .

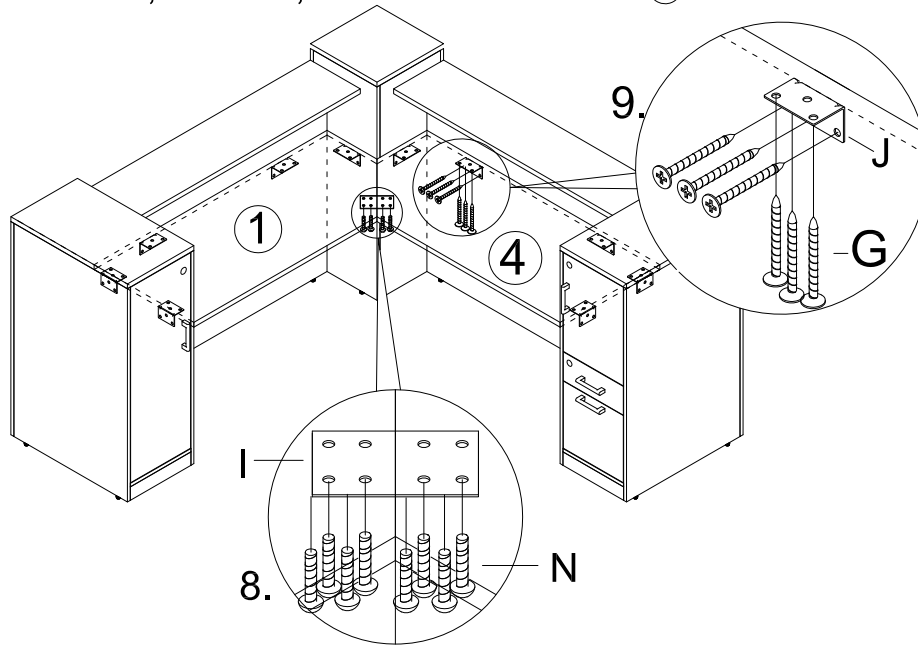


8.CONNECT DESK TOPS ① & ④ USING 8-HOLE "I" PLATE AND "N" SCREWS ON THE UNDERSIDE .

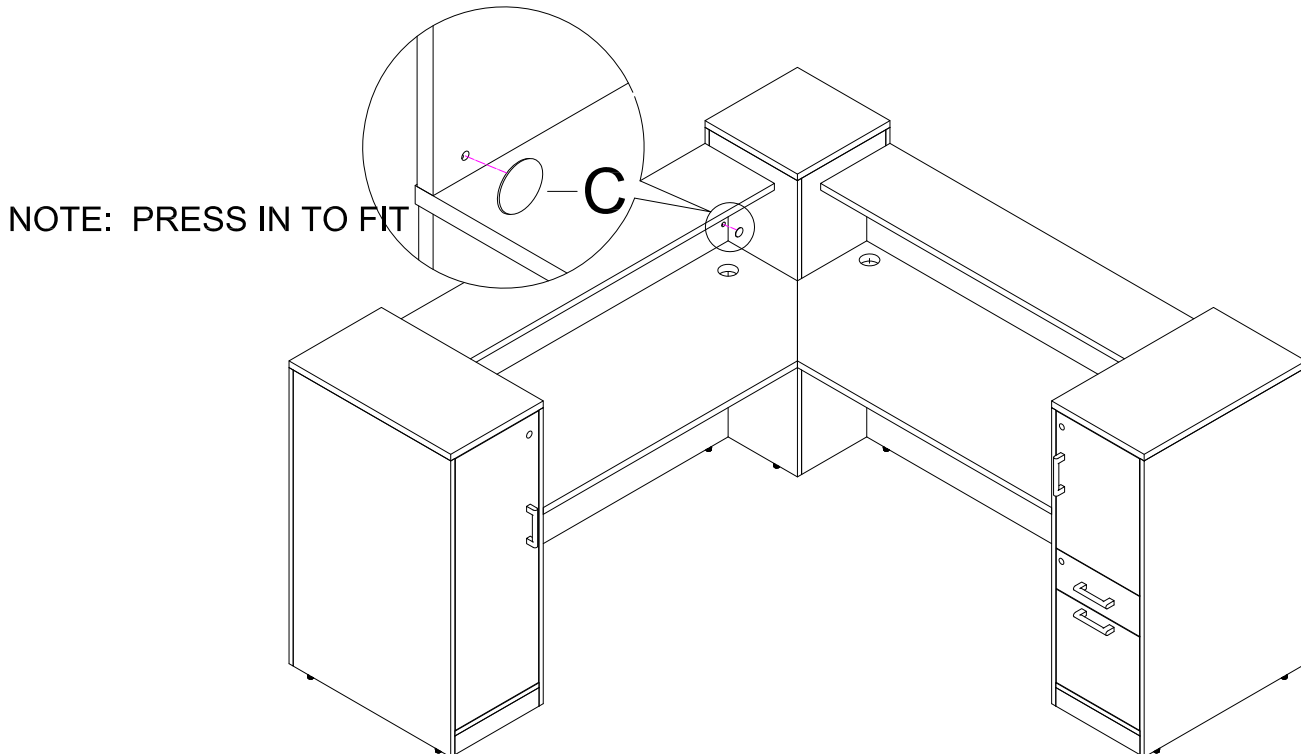
I (1X)
N (8X)

9.THEN INSERT "J" L-BRACKETS UNDER DESK TOPS ① & ④. CONNECTING ① TO COMPONENTS 1, 3 AND 4, AND CONNECTING ④ TO COMPONENTS 2, 3 AND 5 .

J(10X)
G(60X)



10.COVER ALL "B" KLIX CAMS WITH "C" CAM COVER STICKERS.
C(44X)



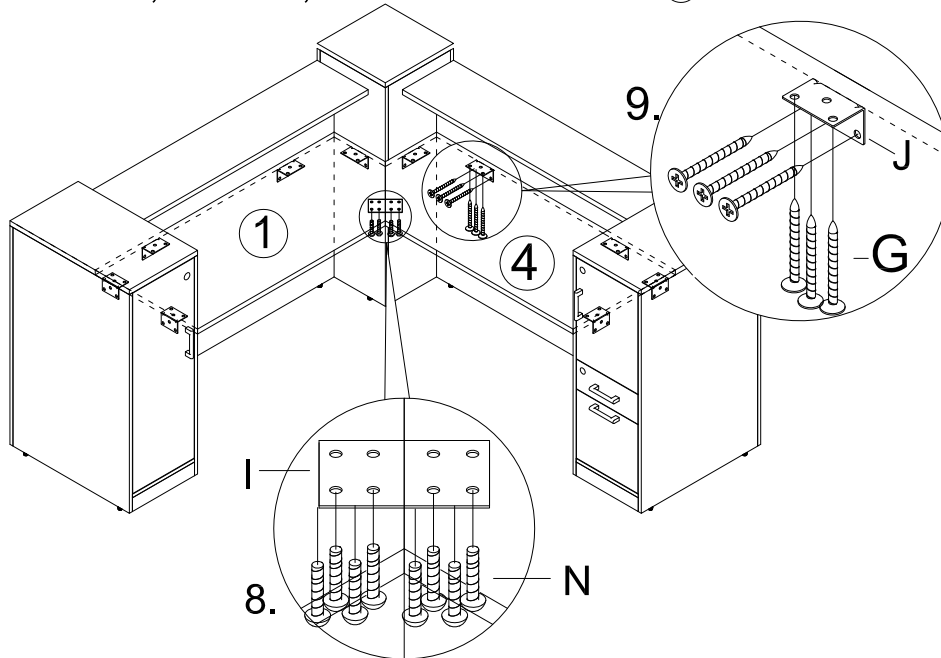
NOTE: PRESS IN TO FIT

8.CONNECT DESK TOPS ① & ④ USING 8-HOLE "I" PLATE AND "N" SCREWS ON THE UNDERSIDE .

- I (1X)
- N (8X)

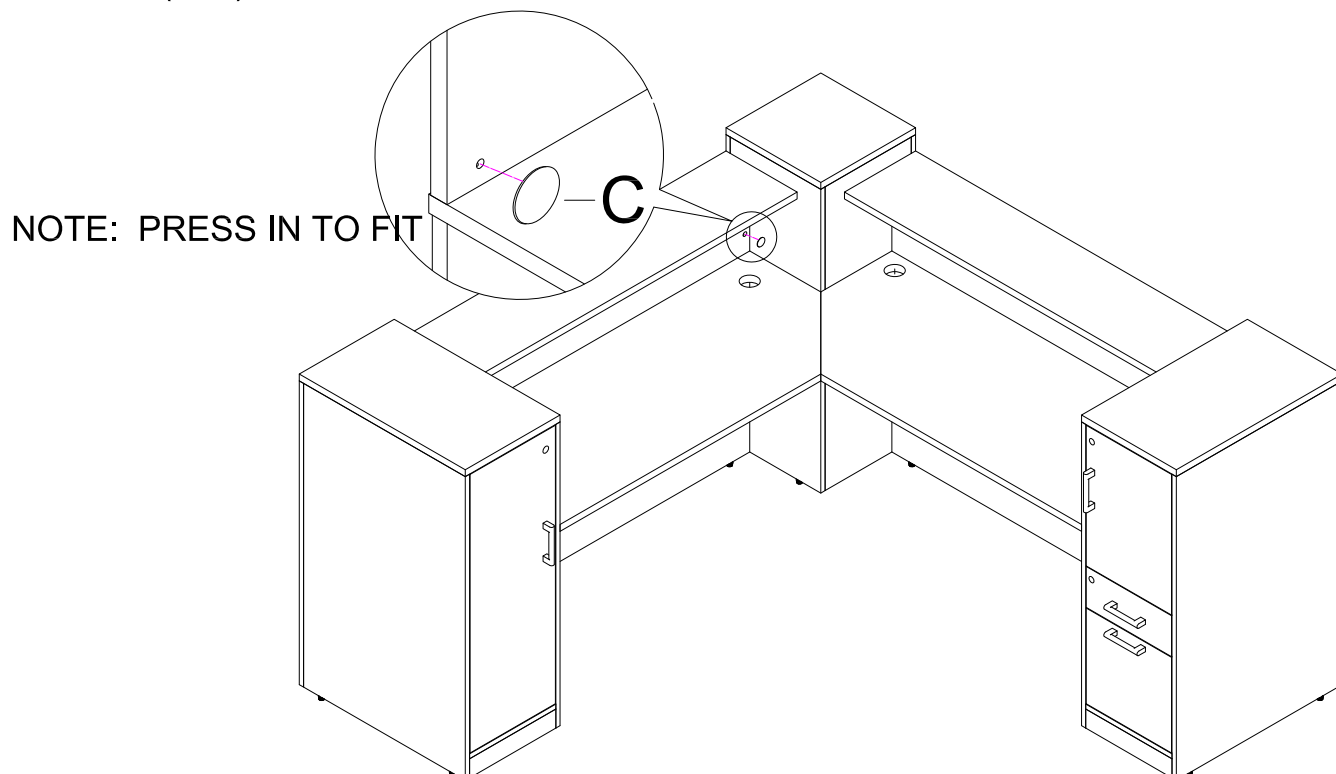
9.THEN INSERT "J" L-BRACKETS UNDER DESK TOPS ① & ④. CONNECTING ① TO COMPONENTS 1, 3 AND 4, AND CONNECTING ④ TO COMPONENTS 2, 3 AND 5 .

- J(10X)
- G(60X)

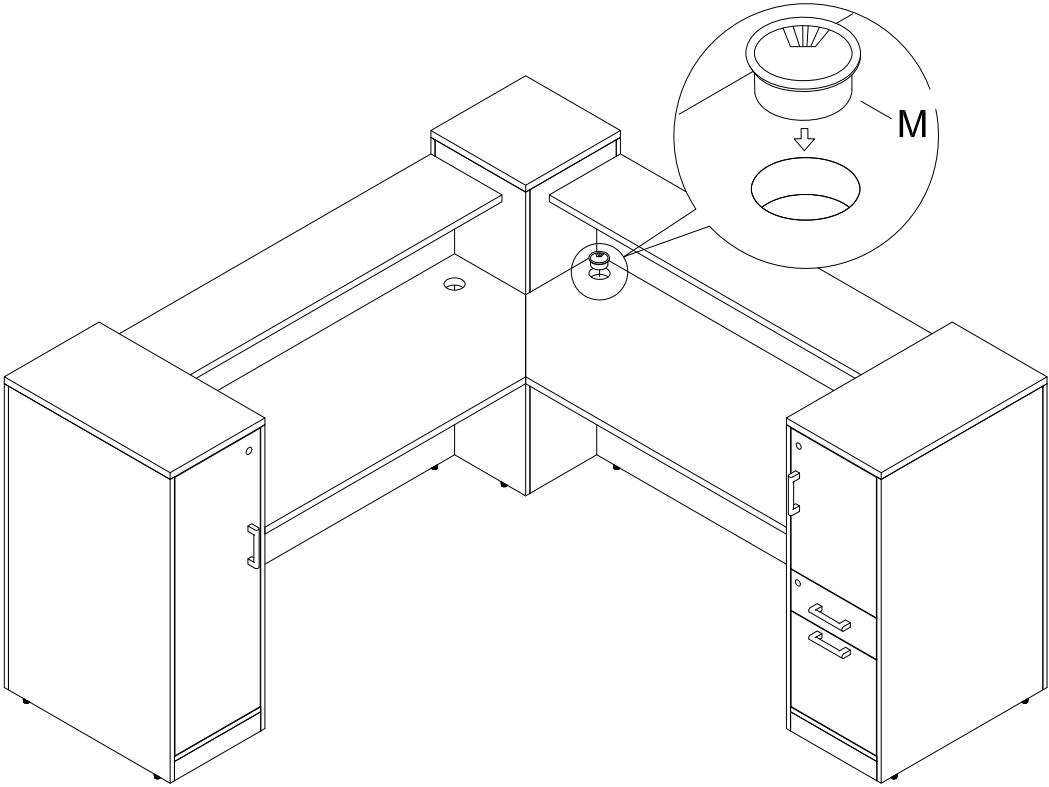


10.COVER ALL "B" KLIX CAMS WITH "C" CAM COVERS.

- C(44X)



11. INSERT "M" GROMMETS ON DESK TOP ① & ④.
M(4X)



COMPLETED ASSEMBLY

