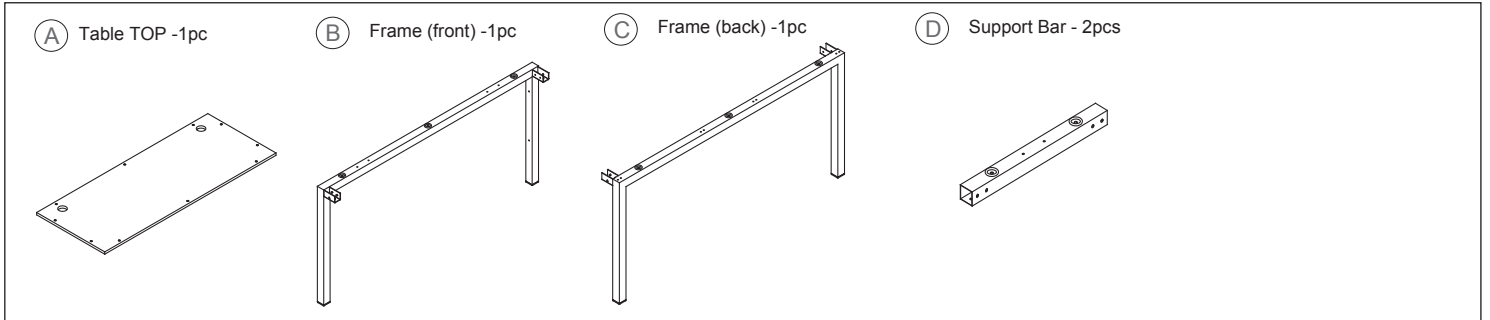
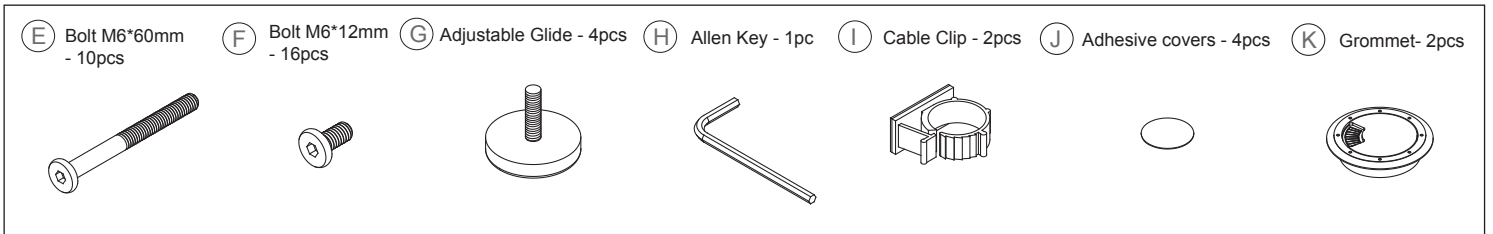


**Congratulations on the purchase of your new *Signature Series* product!**

**COMPONENTS**



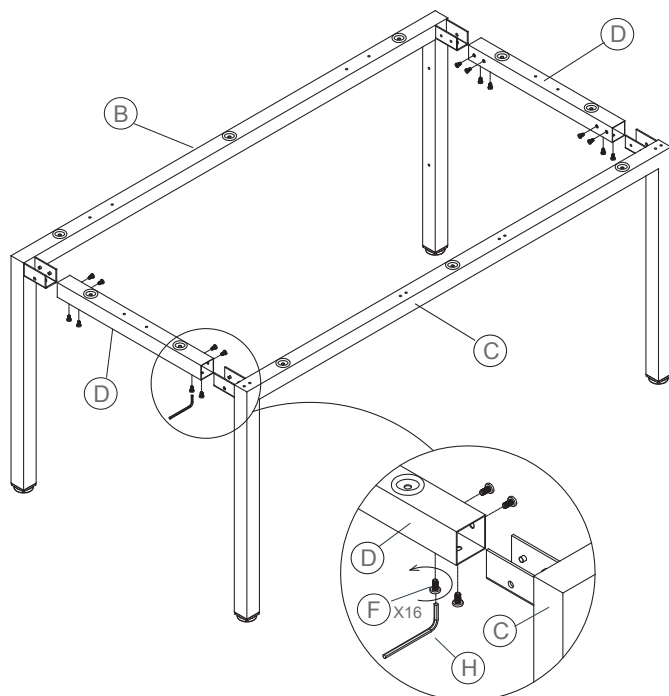
**HARDWARE & TOOLS**



**INSTRUCTIONS**

**STEP 1**

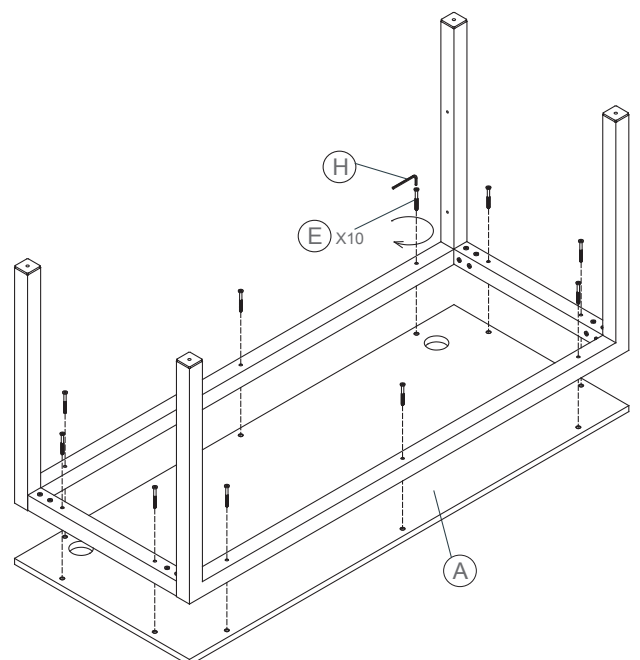
**Note: Do not tighten screws until all screws have been started.**



**STEP 2**

**NOTE**

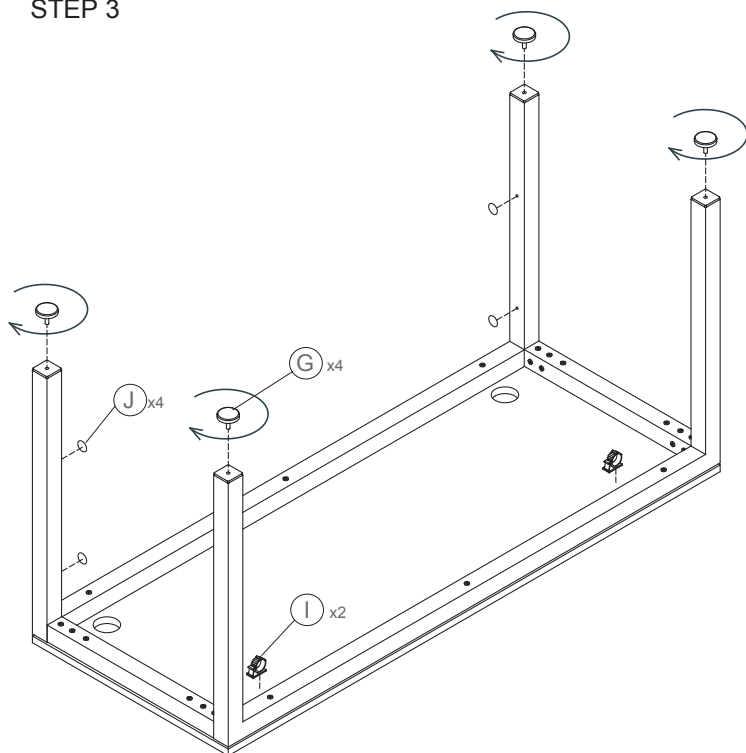
If you are buying Frosted Glass Privacy panel, please make sure to install the frosted glass privacy panel metal bracket before the table top is installed. If you will be attaching a return, make sure to attach the return frame prior to attaching the top.



**Congratulations on the purchase of your new *Signature Series* product!**

INSTRUCTIONS

STEP 3



STEP 4

