

MCKINLEY COLLECTION
CAPTAIN'S CHAIR WITH CASTERS
ASSEMBLY INSTRUCTIONS

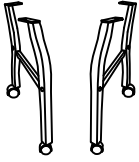


800-558-1010 | www.NBF.com

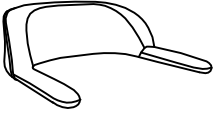
Congratulations on the purchase of your new *Signature Series* chair!

PARTS – remove all the parts from the carton and verify part quantities as indicated on this parts list.


- ①



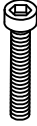
WOOD ARMS - QTY: 2
- ②




BACK CUSHION - QTY: 1
- ③




SEAT CUSHION - QTY: 1
- ④




M6 x40 SCREW - QTY: 4
- ⑤



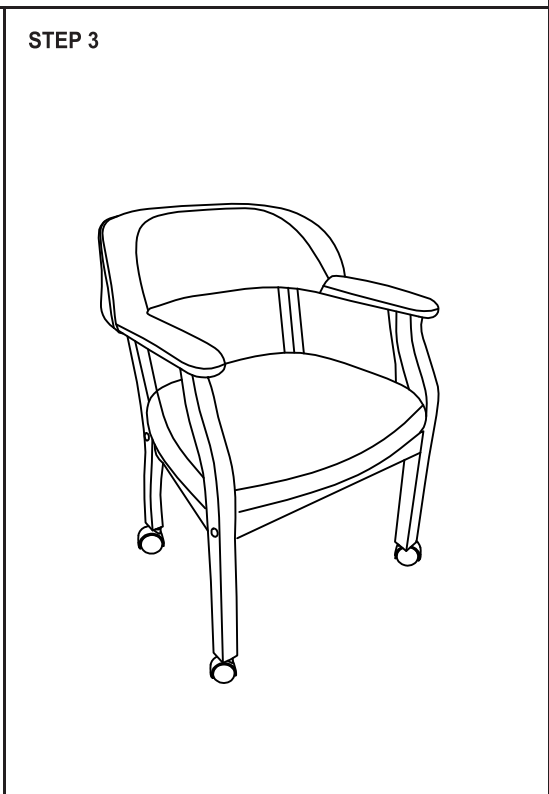
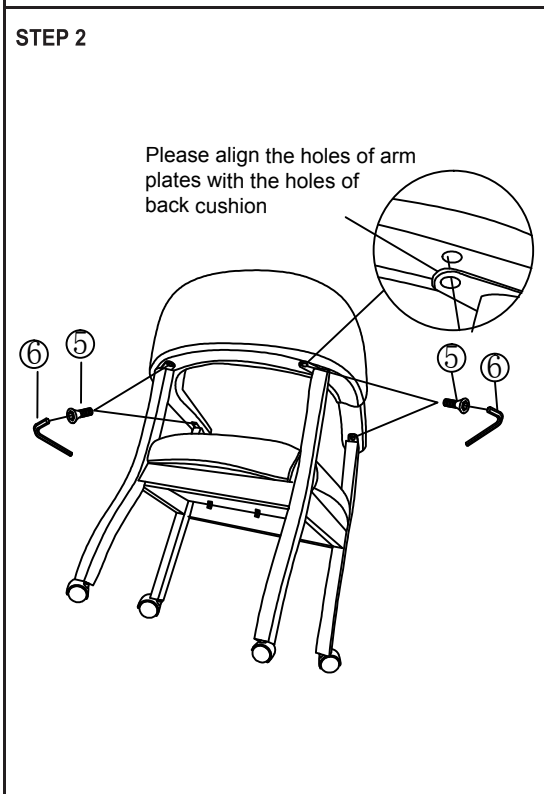
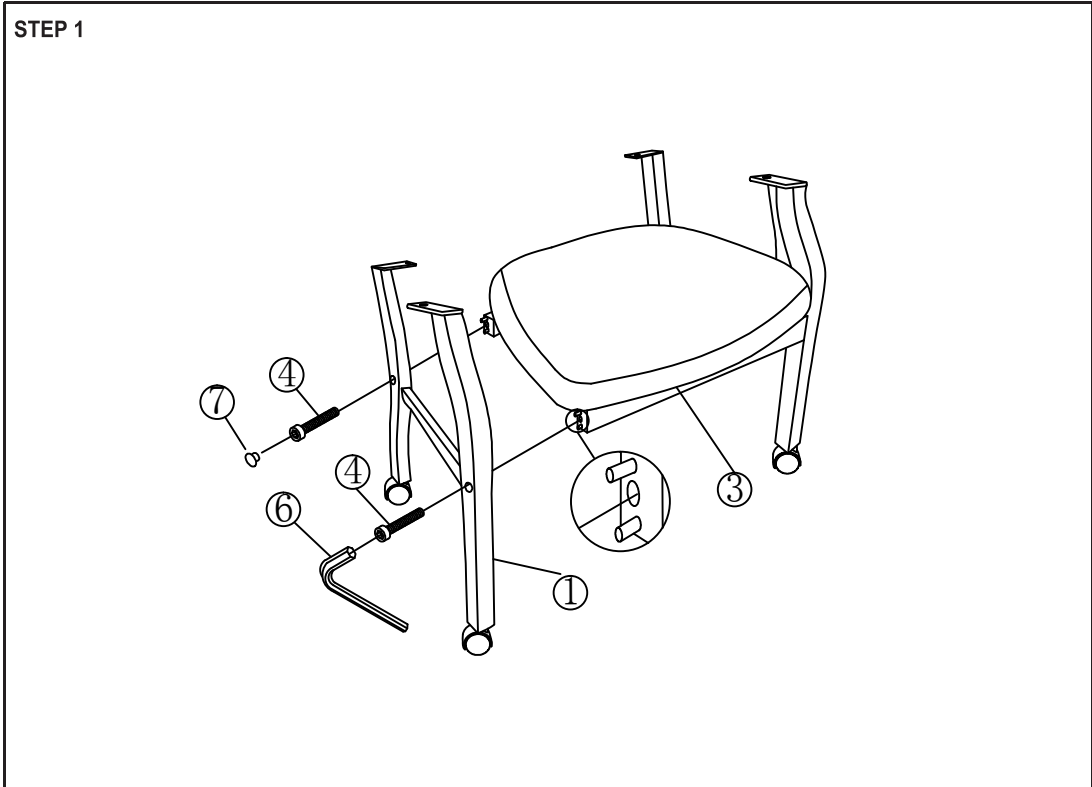
M6 x20 SCREW - QTY: 4
- ⑥



ALLEN KEY - QTY: 1
- ⑦



PLASTIC CAP - QTY: 4



IMPORTANT: This chair is to be used by one person at a time. Be sure all screws are securely tightened. Save the wrench and periodically tighten the screws. Do not lean the chair back on 2 wheels or use the chair as a stepladder. Use this chair for its intended purpose only.

CUSTOMER SERVICE HOTLINE
800-626-6060