

Assembly Instructions

For Lounge Chairs, Loveseats and Sofas

Tools required: 9/16" ratchet or wrench. (Ratchet recommended.)

Note: These instructions are intended for various models and configurations. Your products may not look exactly as those shown in the diagrams.

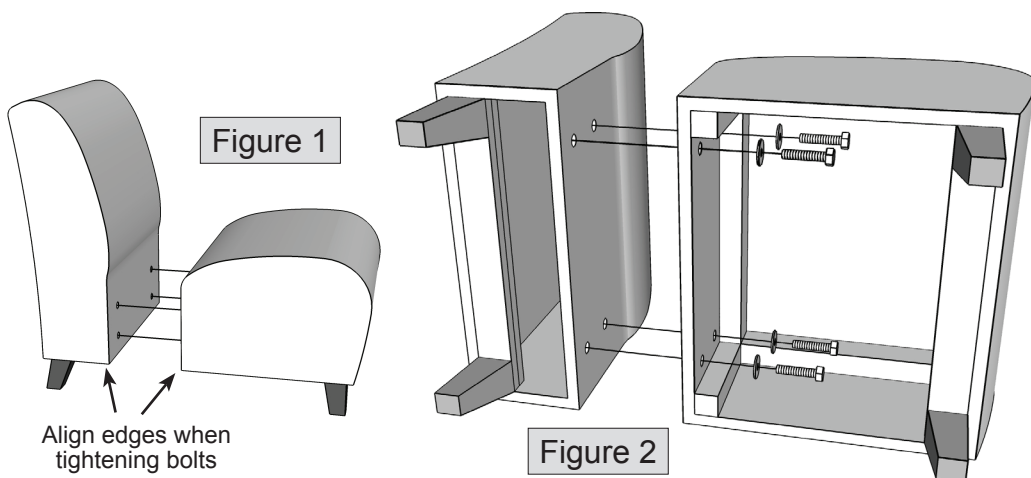
Important: The assembly process requires that some hardware be kept loose until later in the sequence. Follow these instructions closely to ensure correct assembly.

Recommendation: Retighten all bolts on a seasonal basis to ensure your chairs remain strong and stable for many years of use.

Weight Capacity: All guest chairs in these series have a weight capacity of **400 lbs.** per seat, oversized chairs **500 lbs.**, and loveseats **550 lbs.**, unless otherwise stated.

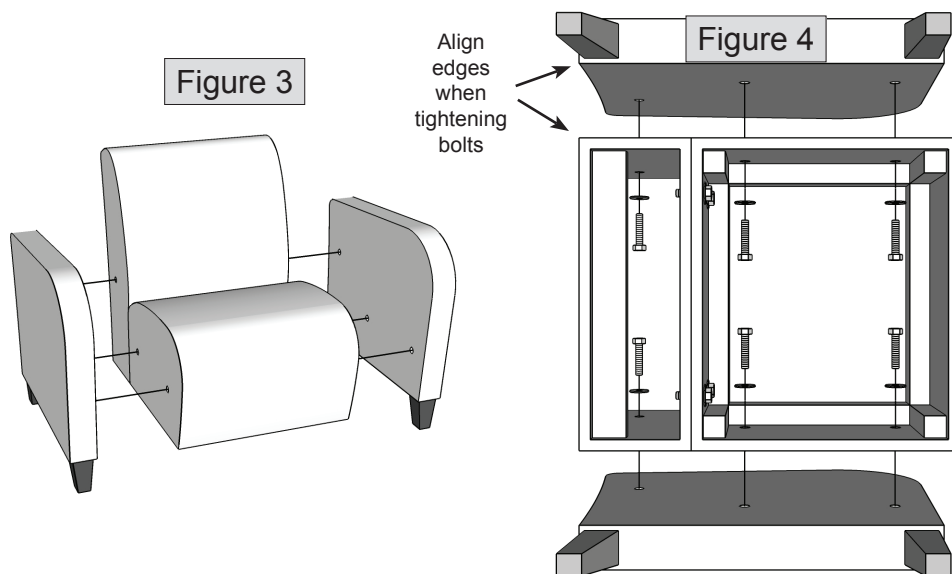
Section 1 - Chairs & Loveseats *without Arms*

1. Unpack and identify all parts.
2. Attach seat to back using 2" bolts and washers into threaded inserts, as shown in figures 1 and 2. Keep bolts slightly loose for now.
3. Place chair upright on a level surface and align bottom edge of seat with bottom edge of back.
4. Tighten all bolts securely.
5. Your product is now assembled and ready to use.



Section 2 - Chairs & Loveseats *with Arms*

1. Follow instructions in Section 1 to attach seat to back. Align bottom edge of seat with bottom edge of back and tighten bolts securely.
2. Attach arms to seat and back using 2" bolts and washers into threaded inserts, as shown in figures 3 and 4. Start each bolt first, until all have caught a few threads, then finger tighten only.
Hint: start with bolt in back cushion first, followed by front seat bolt, then middle bolt last.
3. Place chair upright on a level surface and align bottom edges of seat, back and arms.
4. Tighten all bolts securely.
5. Your product is now assembled and ready to use.



1. Follow instructions in Section 1 to attach each seat to each back. Cushions inside each carton belong together. **Do not intermix.** Align edges and tighten bolts securely.

2. Orient chairs side-by-side, as shown in figures 5 and 6. Pay close attention to correct leg positions. Note that center chairs have bolt holes on both sides. End chairs have bolt holes on one side only.

3. Connect adjoining chairs using bolts, washers and nuts. Use 2" bolts between seats and 3" bolts between backs. Finger tighten only. **Hint: start with bolt in back cushion first, followed by front seat bolt, then middle bolt last.**

4. Place chair assembly upright on a level surface and align bottom edges of adjoining seats and backs.

5. Tighten all bolts securely.

6. Your product is now assembled and ready to use.

Section 3 - Sofas without Arms

Figure 5

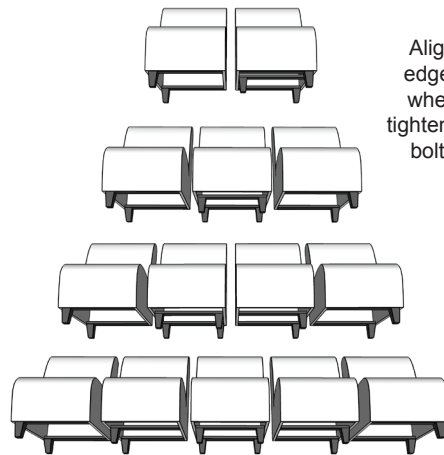
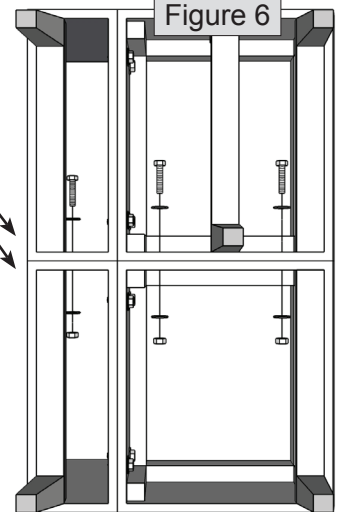


Figure 6

Align edges when tightening bolts



1. Follow instructions in Section 3 to attach each seat to each back and to connect adjoining sections. Pay close attention to correct leg positions, as shown in figure 7. Align edges and tighten bolts securely.

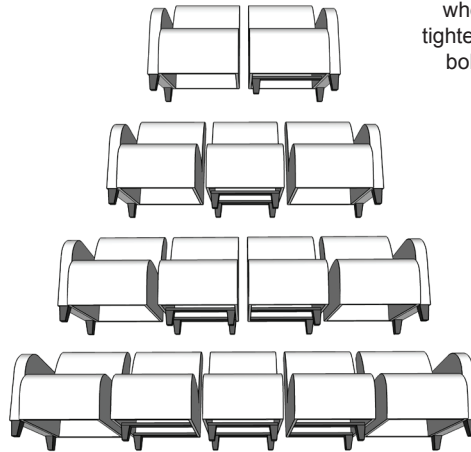
2. Attach arms to seats and backs using 2" bolts and washers into threaded inserts, as shown in figure 8. Start each bolt first, until all have caught a few threads, then finger tighten only. **Hint: start with bolt in back cushion first, followed by front seat bolt, then middle bolt last.**

3. Place chair assembly upright on a level surface and align bottom edges of adjoining seats, backs, and arms. Tighten all bolts securely.

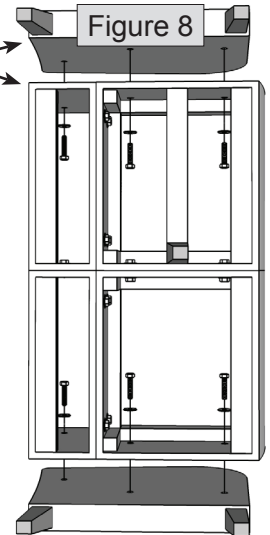
4. Your product is now assembled and ready to use.

Section 4 - Sofas with End Arms

Figure 7



Align edges when tightening bolts



1. Follow instructions in Section 1 to attach seats to backs. Align edges and tighten bolts securely.

2. Identify left, right, and center arm pieces. Center arms have bolt holes on both sides. Left and right arms have bolt holes on one side only.

3. Orient chairs and arms side-by-side, as shown in figures 9 and 10.

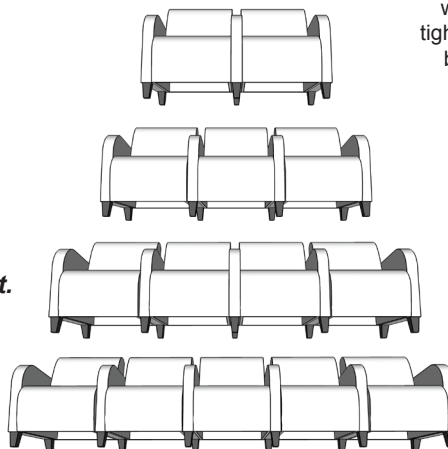
4. Attach arms to seats and backs using 2" bolts and washers into threaded inserts. Start each bolt first, until all have caught a few threads, then finger tighten only. **Hint: start with bolt in back cushion first, followed by front seat bolt, then middle bolt.**

5. Place chair assembly upright on a level surface and align bottom edges of adjoining seats, backs, and arms. Tighten all bolts securely.

6. Your product is now assembled and ready to use.

Section 5 - Connecting Chairs with Center Arms

Figure 9



Align edges when tightening bolts

