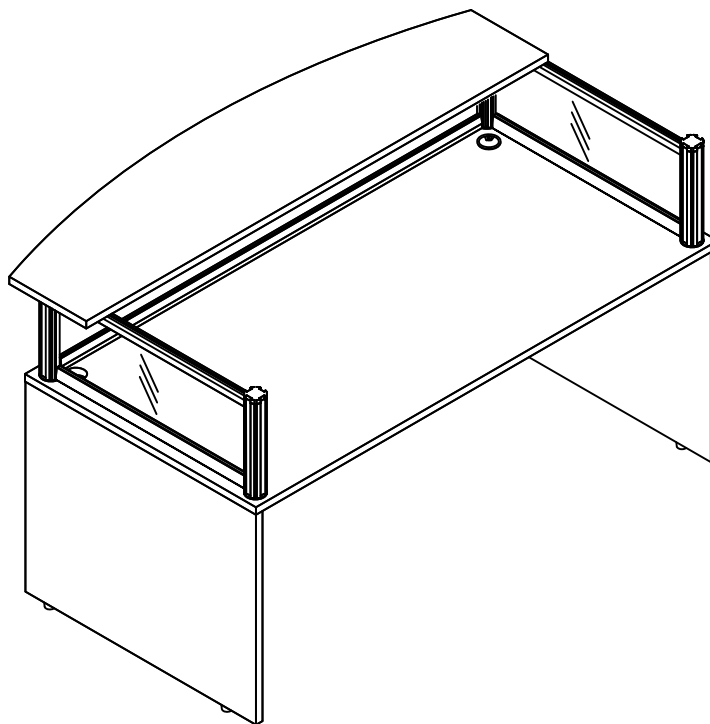
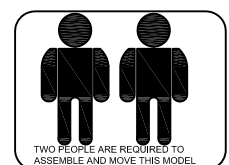


efficient™















COMPACT RECEPTION DESK Assembly Instructions

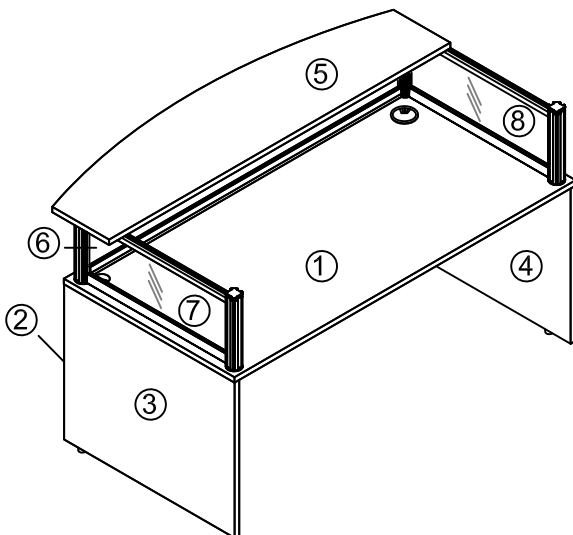


N269MOC-48



Assembly Hardware

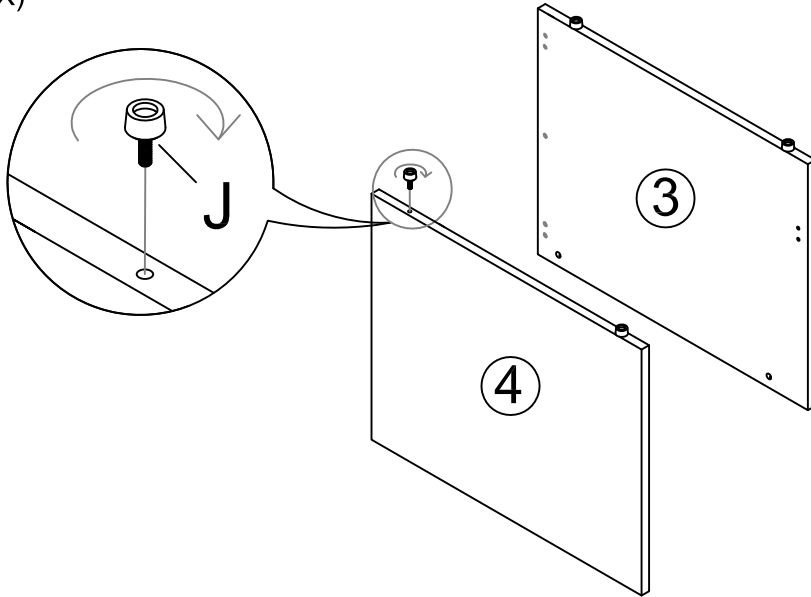
S/N	PICTURE	NAME	QTY	UNIT	REMARK
A		Cam Screw	12+1	PCS	
B		Klix Cam	12+1	PCS	
C		Cam Cover	12+1	PCS	
D		Dowel	9+1	PCS	
E	E1 	Plexi Top Post	4	PCS	
	E2 	Screw	4	PCS	
F		Screw #4*16	66+1	PCS	
G		Grommet	2	PCS	
H		6MM Tool	1	PCS	
I		Post Plate	2	PCS	
J		Leveler	4	PCS	
K		Screw #8*19	6+1	PCS	
L		6-Hole Plate	3	PCS	
M		L-bracket	5	PCS	



COMPONENT LIST

- ① DESK TOP
- ② FRONT DESK PANEL
- ③④ SIDE PANELS
- ⑤ CURVED COUNTER TOP
- ⑥ FRONT PLEXI PANEL
- ⑦⑧ SIDE PLEXI PANELS

1. INSTALL "J" LEVELERS ON ③ ④ BOTTOMS.
J(4X)

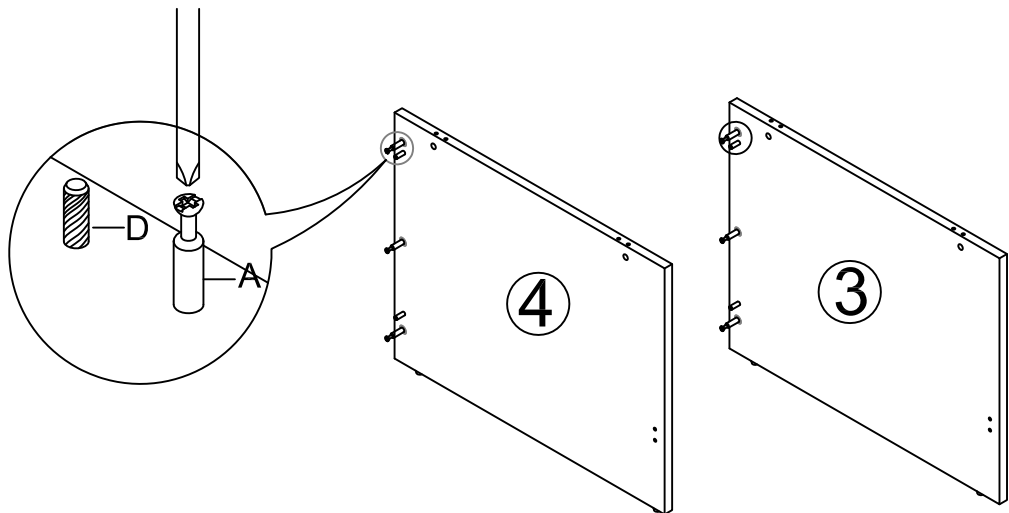


IMPORTANT:
FUNCTION OF KLIX CAM

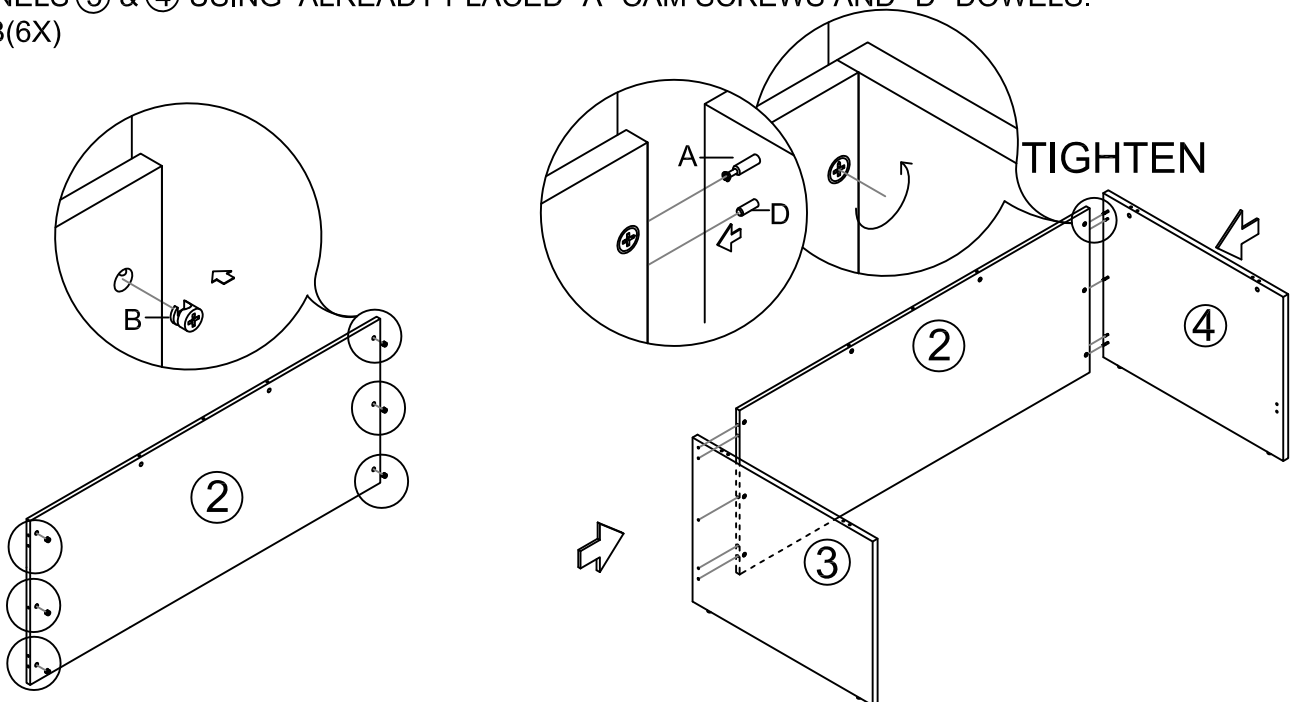
1/4 RIGHT
TURN FOR
LOCKING

MAKE SURE THE ARROW IS
POINTING UPWARDS BEFORE
INSERTING INTO THE PANELS
HOLE

2. INSERT "A" CAM SCREWS AND "D" DOWELS INTO ③ & ④ SIDE PANELS.
A(6X)
D(4X)



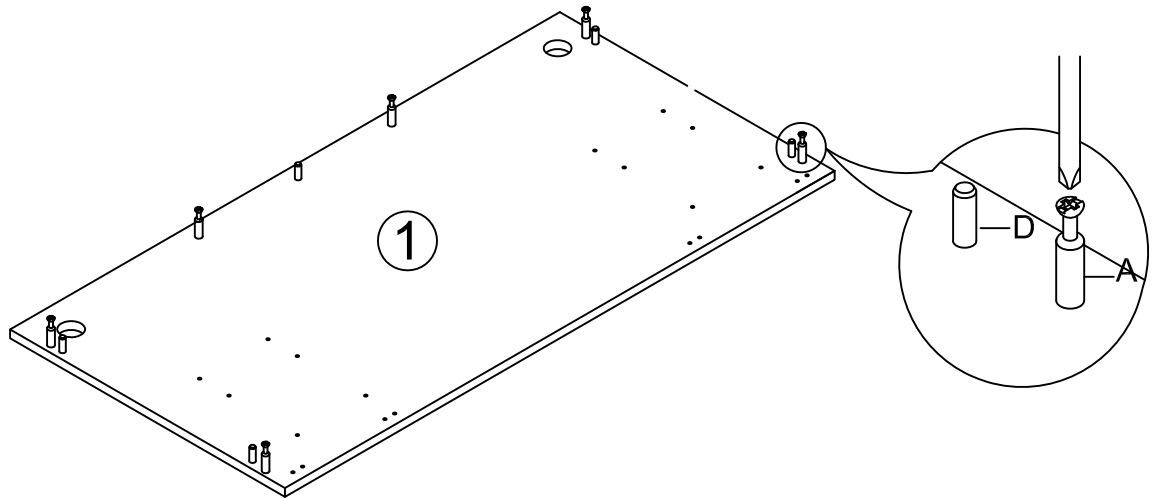
3. INSERT "B" KLIX CAMS TO FRONT PANEL ② (SEE BOX ABOVE), THEN ATTACH TO SIDE
PANELS ③ & ④ USING ALREADY PLACED "A" CAM SCREWS AND "D" DOWELS.
B(6X)



4. INSTALL "A" CAM SCREWS AND "D" DOWELS TO THE UNDER SIDE OF DESK TOP ①.

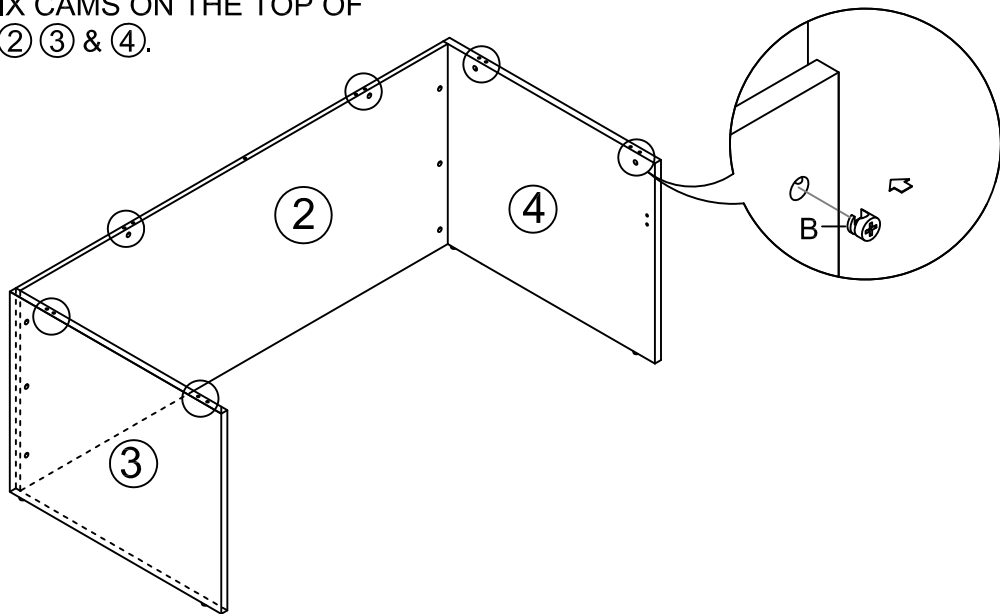
A(6X)

D(5X)

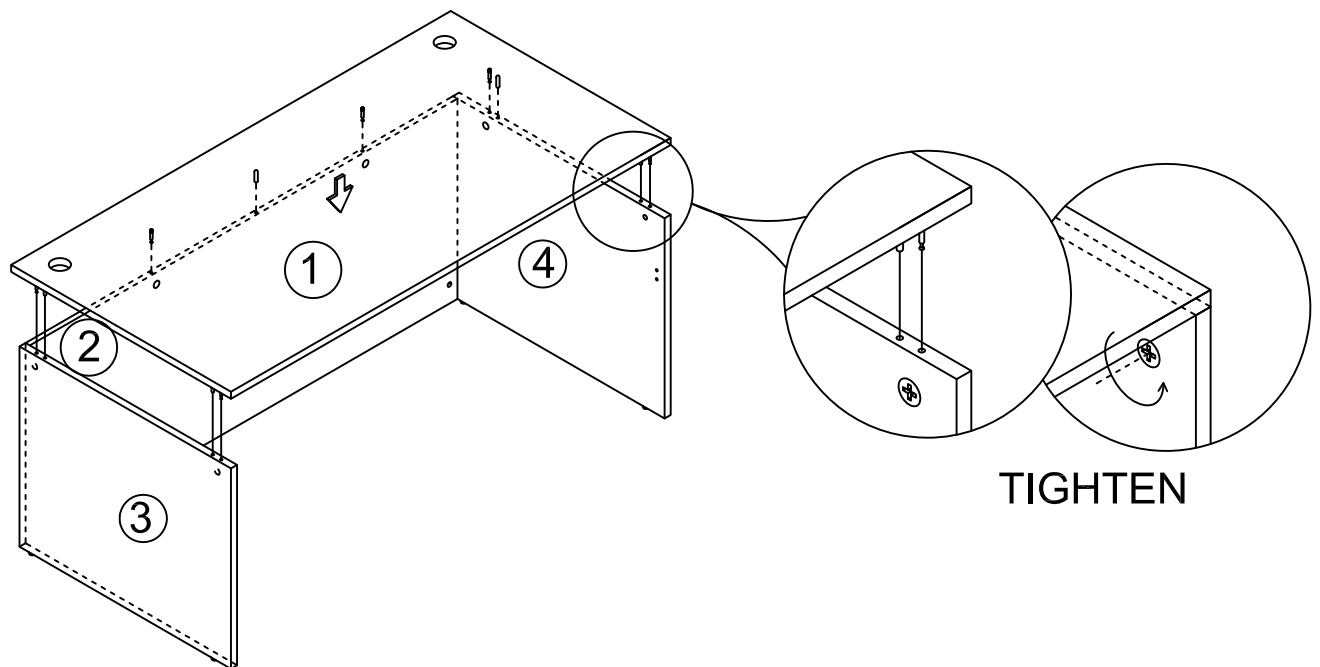


5. INSERT "B" KLIX CAMS ON THE TOP OF SIDE PANELS ② ③ & ④.

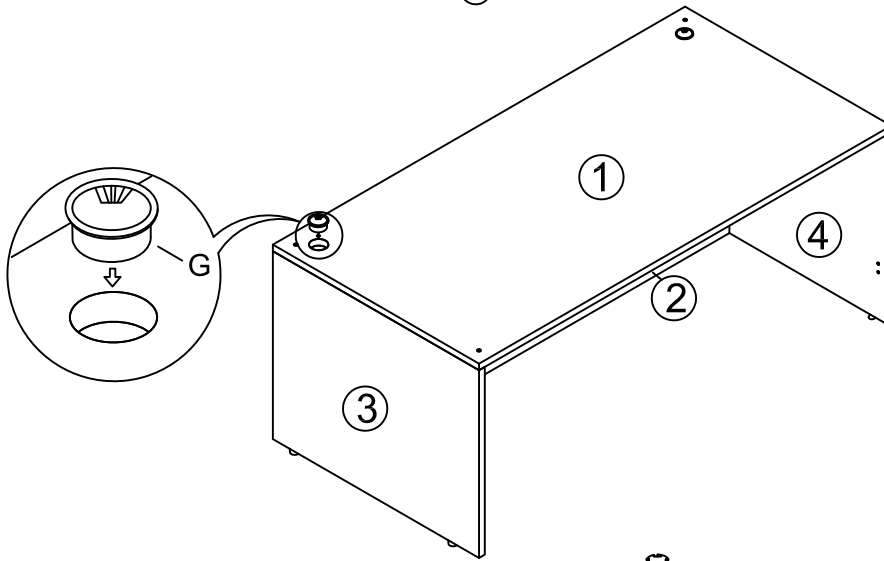
B(6X)



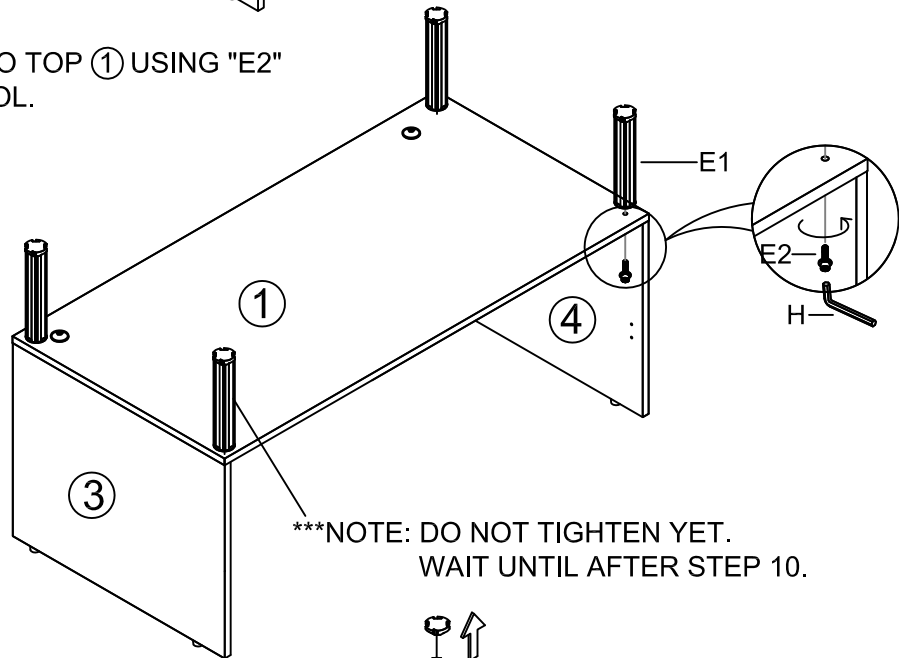
6. ATTACH DESK TOP ① TO PANELS ② ③ & ④ USING ALREADY PLACED "A" CAM SCREWS AND "D" DOWELS. THEN TIGHTEN USING ALREADY PLACED "B" KLIX CAMS.



7. INSERT "G" GROMMETS ON DESK TOP ①.
G(2X)

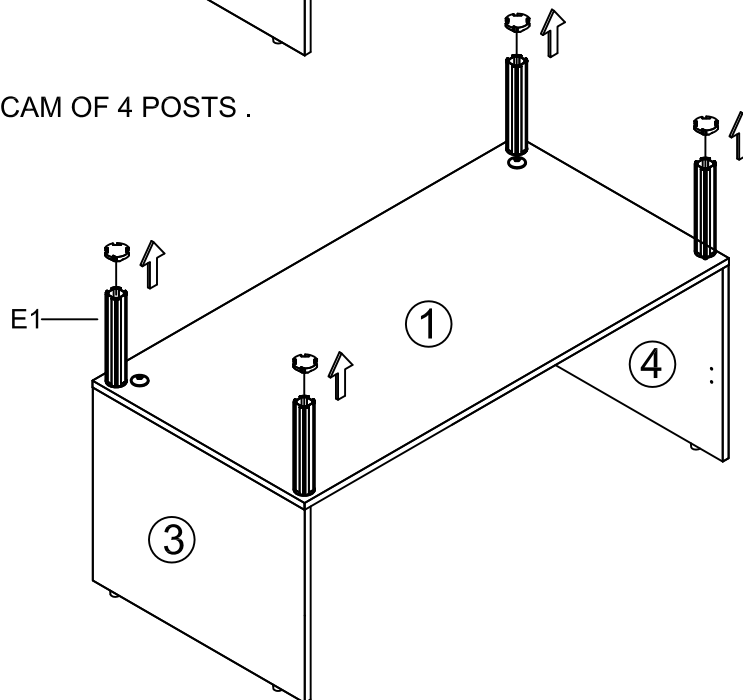


8. ATTACH POST "E1" TO TOP ① USING "E2"
SCREWS AND "H" TOOL.
E1(4X)
E2(4X)
H(1X)

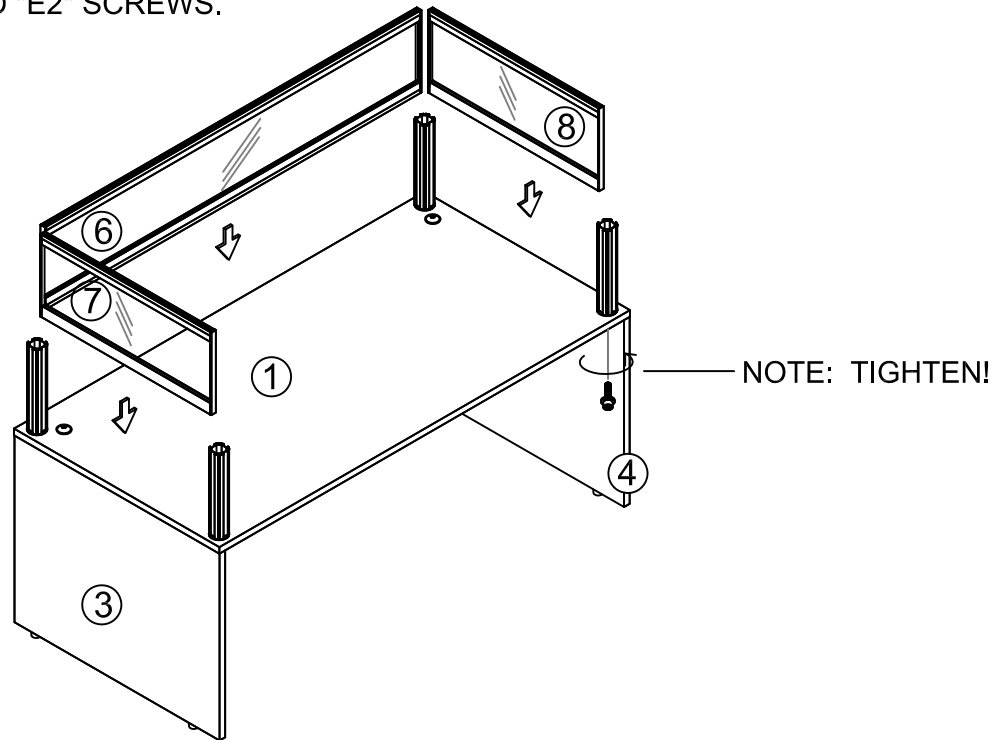


***NOTE: DO NOT TIGHTEN YET.
WAIT UNTIL AFTER STEP 10.

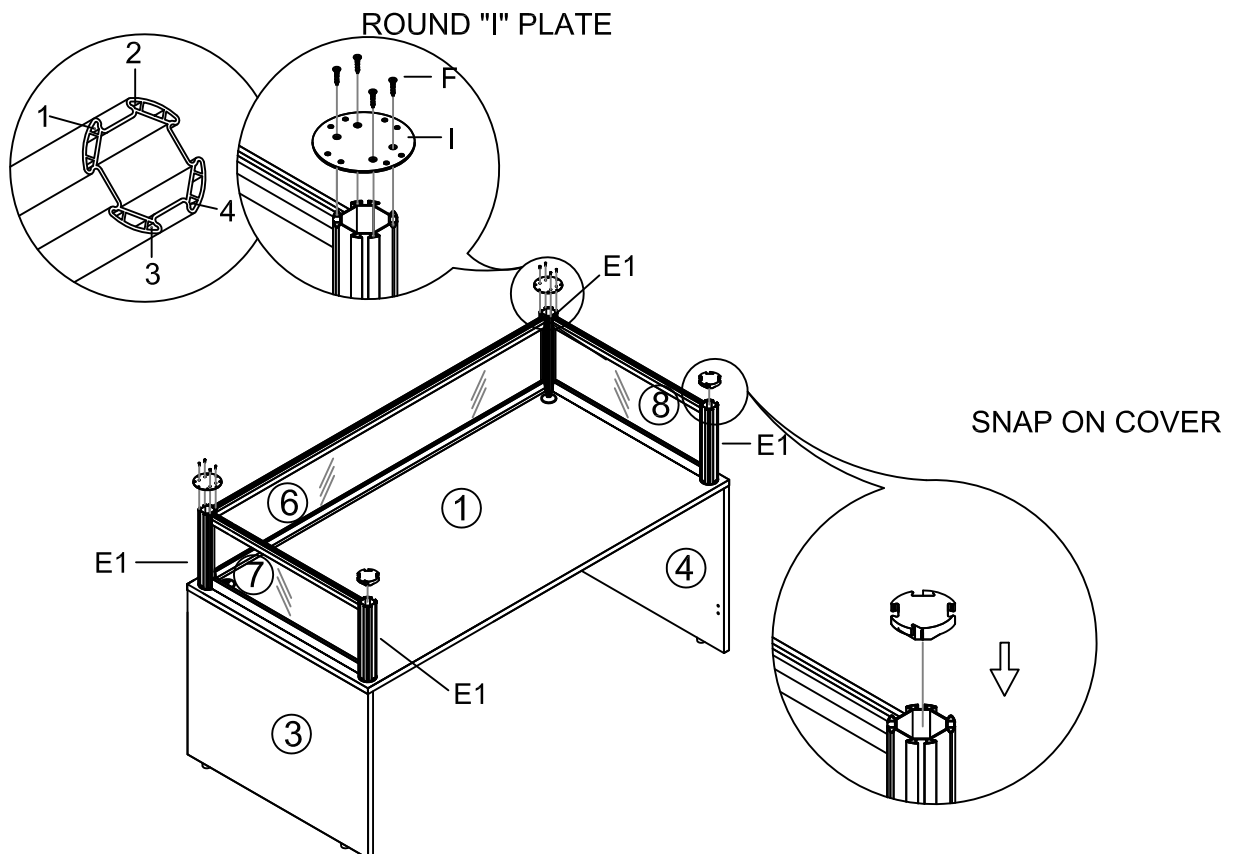
9. OPEN THE TOP CAM OF 4 POSTS .



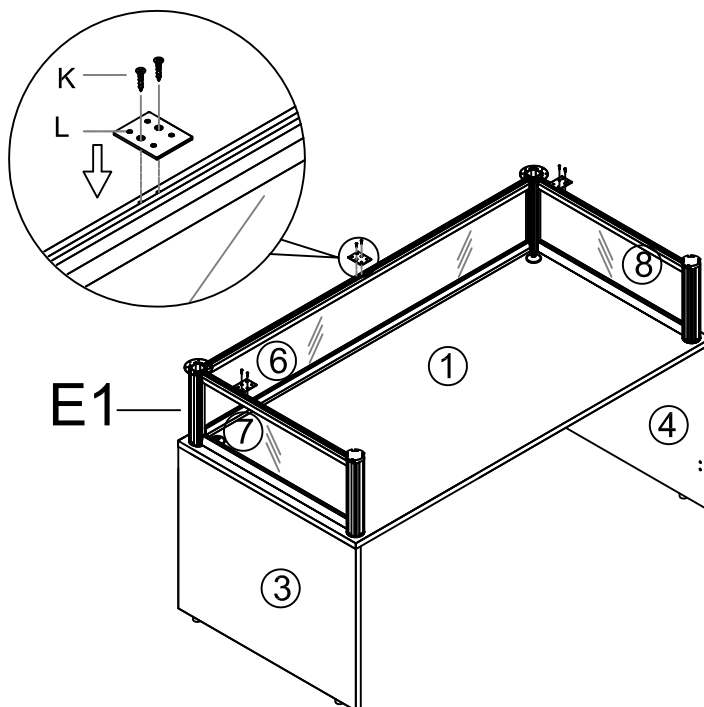
10. SLIDE IN PLEXI PANELS ⑥ ⑦ & ⑧ BETWEEN PLEXI TOP POSTS, TIGHTEN THEM WITH ALREADY PLACED "E2" SCREWS.



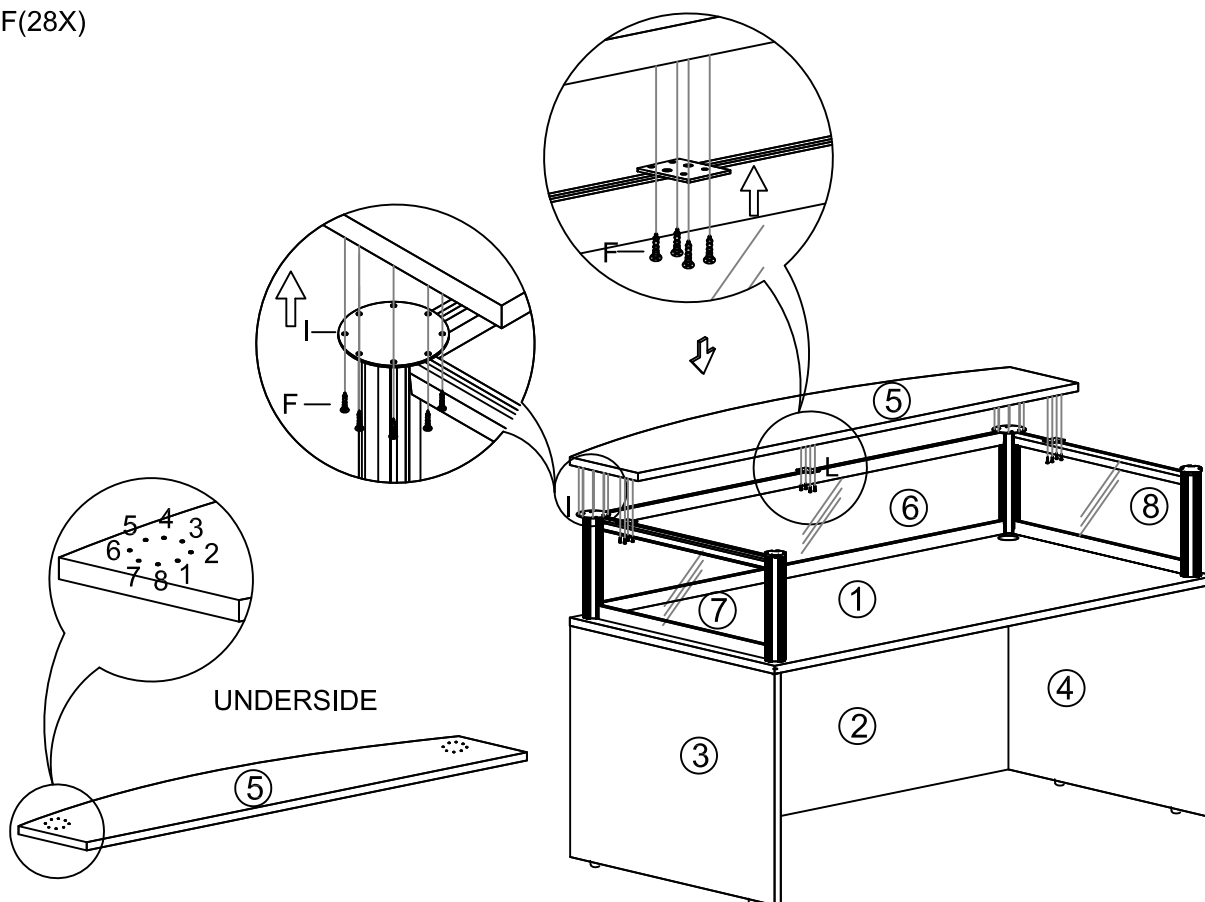
11. CONNECT ROUND PLATE "I" TO THE TOP OF FRONT TWO POSTS USING "F" SCREWS.
 I(2X)
 F(8X)
 THEN PUT SNAP ON COVER ON THE 2 REMAINING "E1" POSTS.



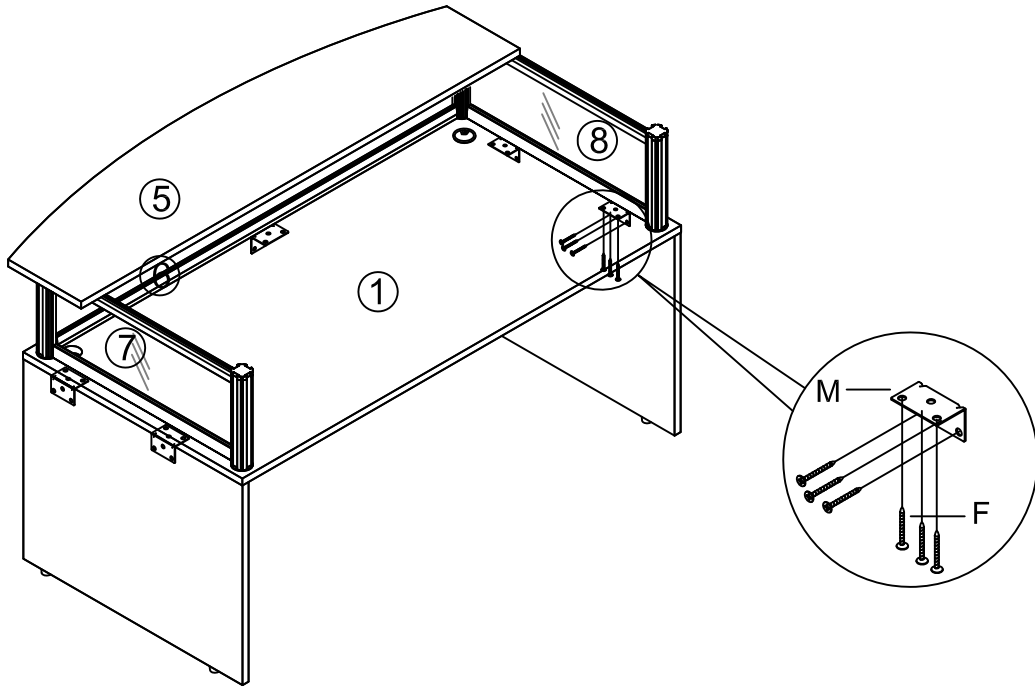
12. INSTALL "L" PLATE ON PLEXI PANEL ⑥ ⑦ ⑧ USING "K" SCREWS.
 L(3X)
 K(6X)



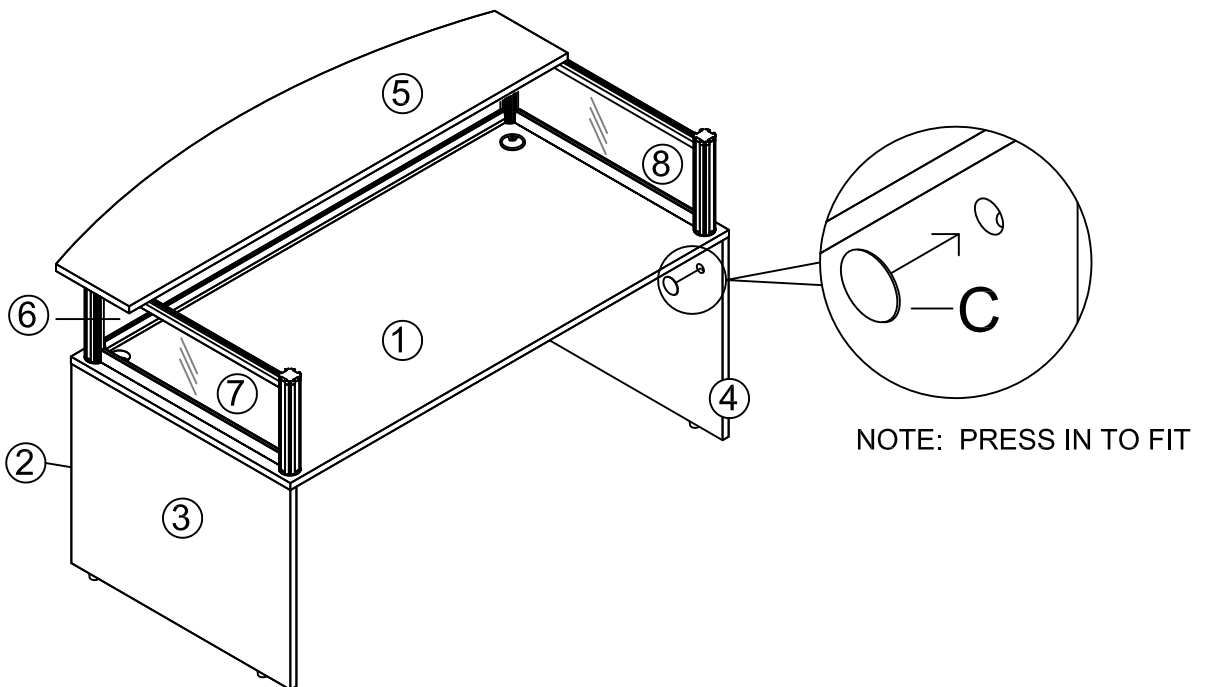
13. CONNECT CURVED TRANSACTION TOP ⑤ TO THE FRONT PLEXI PANEL ⑥ ⑦ ⑧ ,
 CONNECT IT WITH ALREADY PLACED "I" AND "L" PLATES, THEN ATTACH IT USING "F" SCREWS.
 F(28X)



14. INSTALL "M" BRACKETS UNDER DESK TOP ① USING "F" SCREWS.
M(5X)
F(30X)



15. COVER ALL "B" KLIX CAM WITH "C" CAM COVER.
C(12X)



COMPLETED ASSEMBLY

