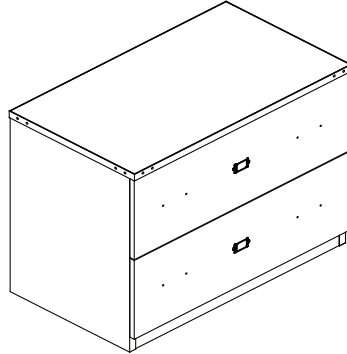


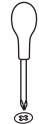
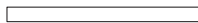
Congratulations on the purchase of your new *Signature Series* product!



HARDWARE & TOOLS

- (A) Adjustable Glide - 4pcs
- (B) File Clip - 8pcs
- (C) Metal Bar-378mm - 4 pcs
- (D) Hanger - 2pcs
- (E) Screw 3.5*14mm - 1pc

Tools Required for Assembly

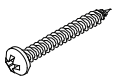


Philips Screw Driver

- (F) Screw 4*25mm - 1pc

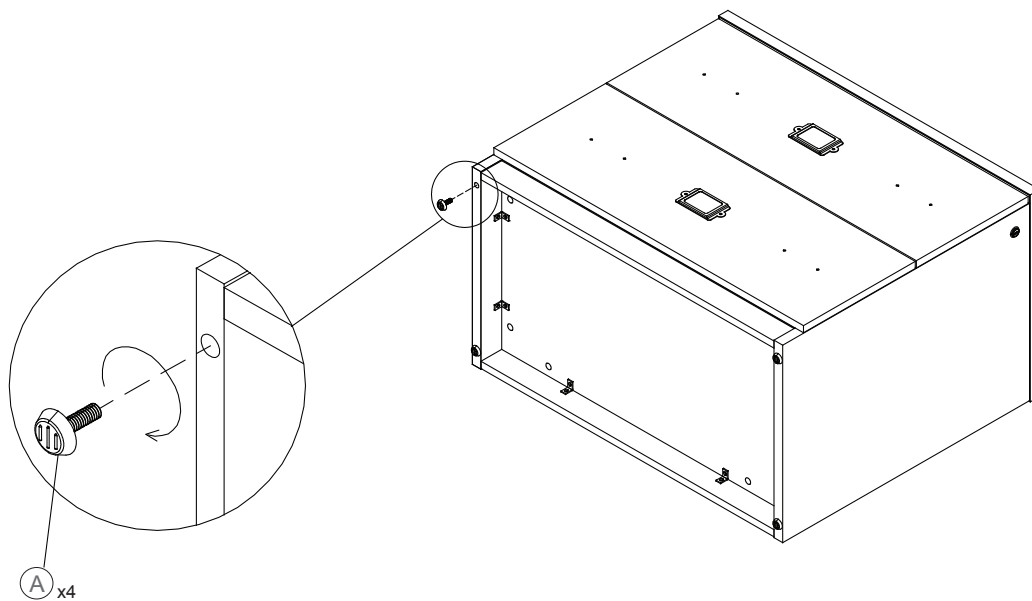
- (G) Stud - 1pc

- (H) Strip tie - 1pc



INSTRUCTIONS

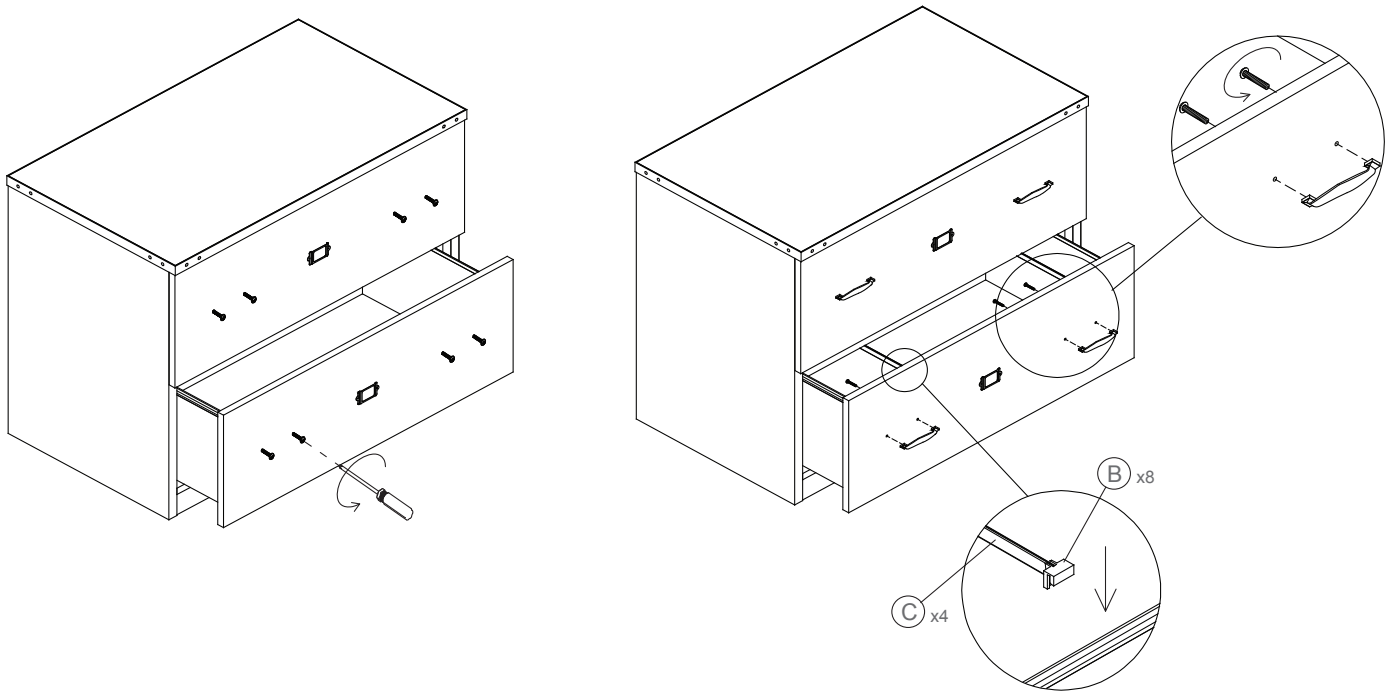
STEP 1



Congratulations on the purchase of your new *Signature Series* product!

INSTRUCTIONS

STEP 2



STEP 3

