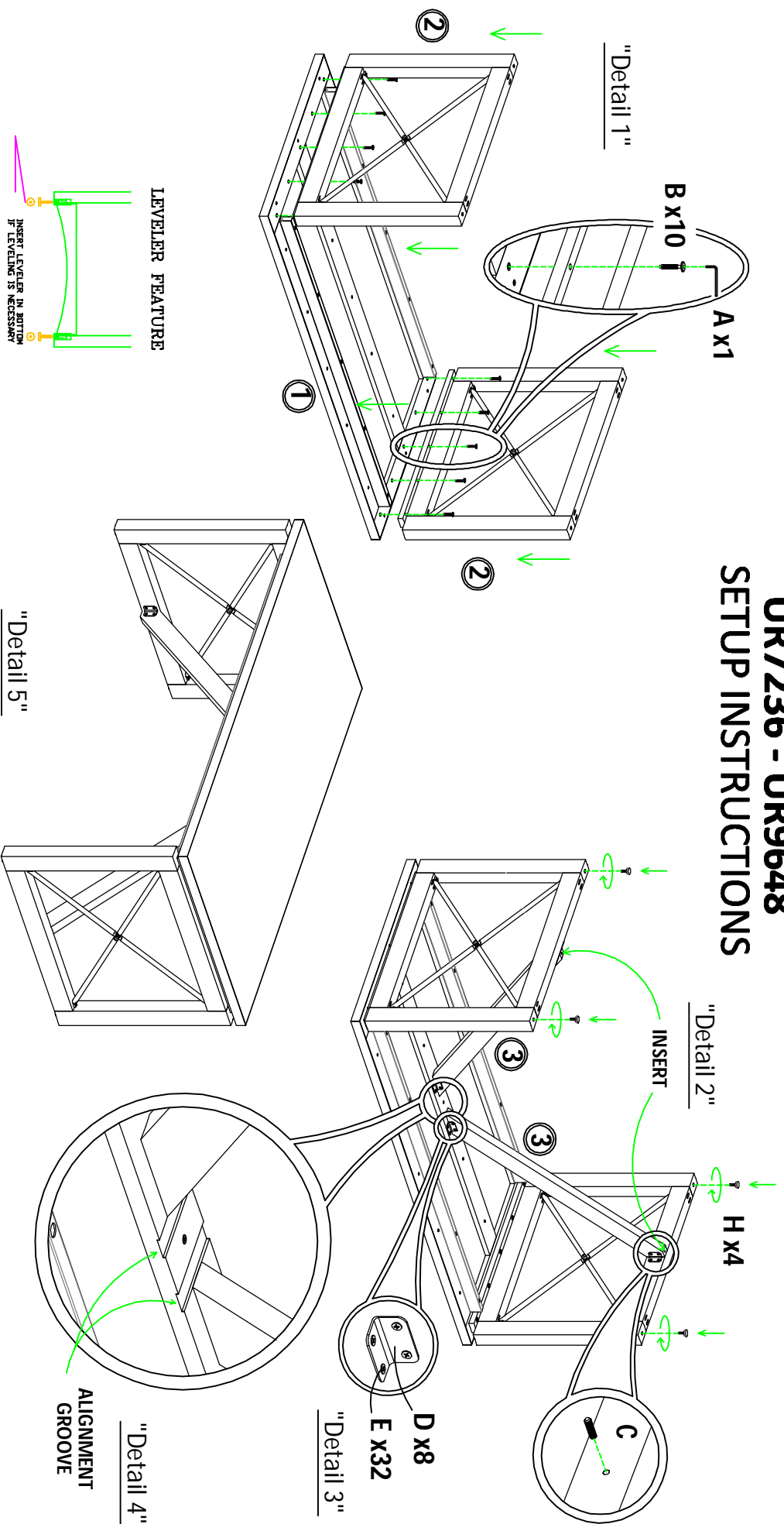


UR7236 - UR9648 SETUP INSTRUCTIONS



- 1.- Unpack all from box and check that the hardware bag has same material as the hardware list.
- 2.- Place top (1) face down on soft surface in order not to scratch the top.
- 3.- Install Sides (2) using Allen wrench (A) and Bolts (B). ("Detail 1")
- 4.- Insert two alignment dowels (C) into the holes on the sides (1). ("Detail 2")
- 5.-Align supports (3) to the alignment groove on the top. ("Detail 3")
- 6.- Secure the supports (3) to the top using L-brackets (D) and screws (E). ("Detail 4")
- 7.- Install Levelers (F).
- 8.- With an assistance flip and position unit in place. ("Detail 5")

NO.	Hardware List	QTY
A	4MM HEX WRENCH	1 PC
B	1/4-20 X 40MM KD BOLT	10 PCS
C	8 X 30MM DOWEL	2 PCS
D	L BRACKET 1" X 1" X 2"	8 PCS
E	6 X 3/4 DRYWALL SCREW	32 PCS
F	HEX HEAD LEVELER	4 PCS

Tools required : Phillips Screwdriver