



# NBF

## 5505MMP EXECUTIVE VISITORS CHAIR w/ POLYESTER VERTICAL MESH BACK OPERATING INSTRUCTIONS



### **WARNING**

1. Use this product only one person at a time.
2. Do not use this chair unless all bolts screws and knobs are securely tightened.
3. Check that all bolts screws and knobs are tight every three months or as needed.
4. Do not overturn back tilt knob when decreasing tension.
5. Dispose of packing material properly. Do not use plastic cover as head covering. It may cause suffocation.
6. Do not use chair as a stepladder.
7. Use this chair for its intended purpose only.
8. Use mild detergent only for cleaning.

### **LIMITED WARRANTY**

NBF® Signature Series chairs are warranted from the date of purchase against failure due to material and workmanship as follows:

- Lifetime on component parts including Control mechanisms, pneumatic cylinders, wood, plastic parts, base and casters.
- 3 Years on upholstery fabric and foam against wear and deterioration.

To make a warranty claim, contact Parts Department. Provide model number, proof of purchase, description of the problem and obtain return authorization. At it's option NBF will:

- (a) Supply compatible components of current manufacture.
- (b) Repair the customer's component. The customer must prepay freight on any components returned to the factory. Return freight on components still in warranty will be paid by NBF.

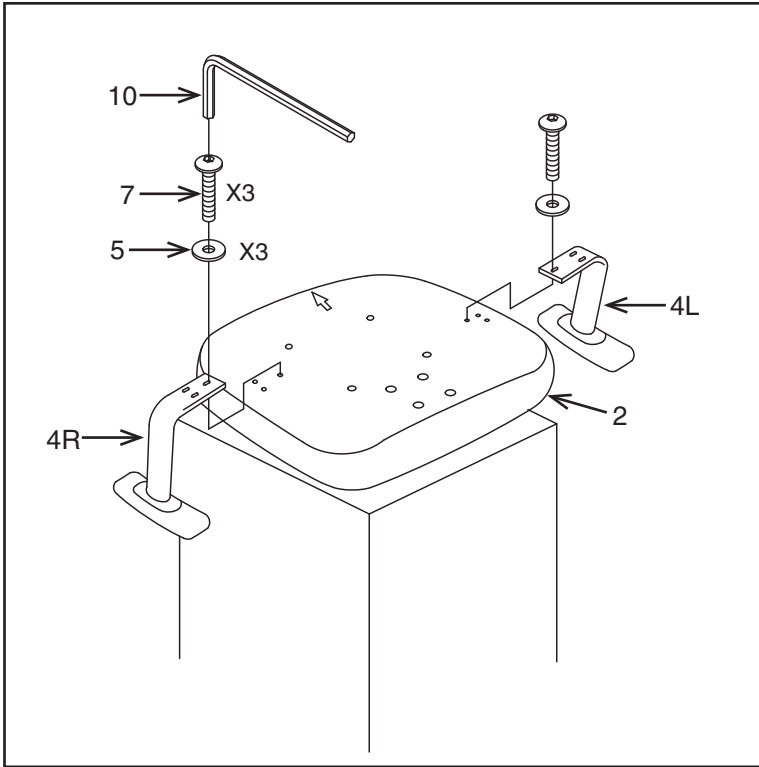
*\*All warranties are limited to the original purchaser for normal commercial usage defined as a standard forty hour work week by persons weighing 250 lbs. or less. This warranty will not cover labor, freight or damage from misuse, abuse, negligence, alteration, accident, vandalism, rusting, acts of nature or any other event beyond the control of NBF. The warranty does not cover cosmetic damage that may result from normal use. Liability for incidental or consequential damages is excluded. The user assumes all risk of injury resulting from use of this product. When usage is more than 40 hours per week, a two year warranty on all parts applies. Fabric and foam is warranted for one year. This warranty gives you specific legal rights, and you may also have other rights which vary from state to state.*

Our quality standards are among the highest in the industry. Sometimes, no matter how hard we try, there are times when parts are damaged or missing. Our Parts Department will do everything possible to promptly remedy the problem. Contact our factory by Fax 1-909-930-5629, or toll free parts number 1-800-950-7262, Monday through Friday 8:00 a.m. - 5:00 p.m. Pacific Time.

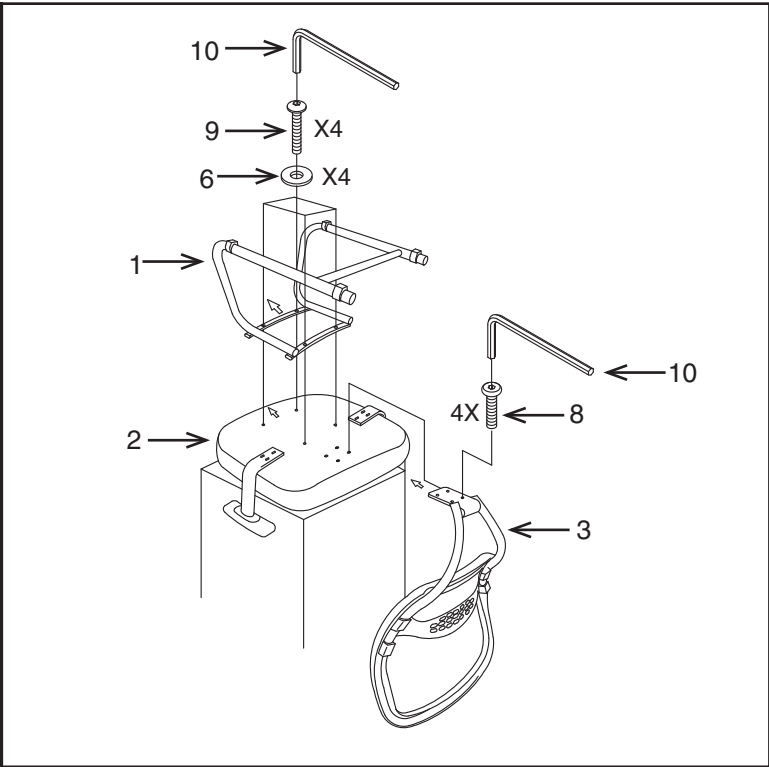


# 5505MMP EXECUTIVE VISITORS CHAIR w/ POLYESTER VERTICAL MESH BACK ASSEMBLY INSTRUCTIONS

## STEP 1



## STEP 2



PART	QTY
1. Base	1
2. Seat	5
3. Backrest	1
4. Arms (4L & 4R)	2
5. Small Flat Washer	6
6. Large Flat Washer	4
7. Arm Screws	6
8. Backrest Screws	4
9. Base Screws	4
10. Allen Wrench	1

Remove all parts from carton, separate by part numbers indicated on parts list and make sure part quantities are correct.

**STEP 1** Attach Arms (4L & 4R) to Seat (2) using three Small Flat Washers (5) and three Arm Screws (7) for each Arm (4).

**FULLY TIGHTEN SCREWS USING ALLEN WRENCH (10).**

**STEP 2** Attach Backrest (3) to Seat (2) with the arrow pointing towards the front of the chair using four Backrest Screws (8), **FULLY TIGHTEN SCREWS USING ALLEN WRENCH (10)**. Attach Base (1) to Seat (2) using four Large Flat Washers (6) and four Base Screws (9). **FULLY TIGHTEN SCREWS USING ALLEN WRENCH (10)**.

**ATTENTION: MAKE SURE ALL SCREWS ARE FULLY TIGHTENED BEFORE USING CHAIR.**