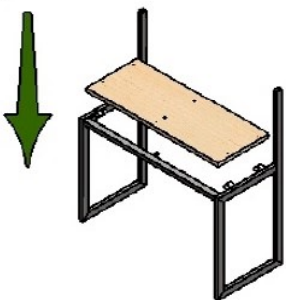
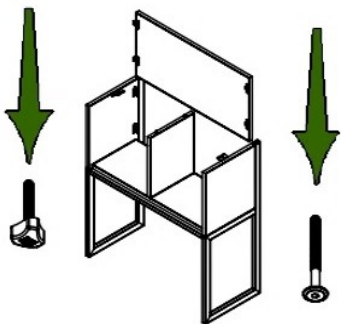


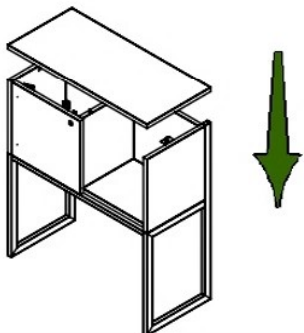
Put the support bar (C) into left leg and right leg (A) (B). Tighten the vises (K), to connect legs to support bar.



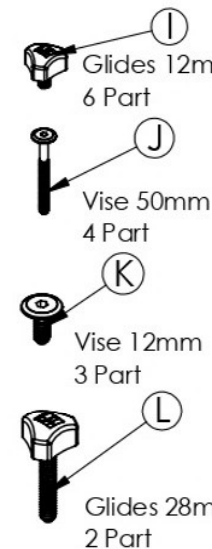
Put the base (D) over left leg and right leg (A) (B), tighten the glides (I) at the base to the legs.



Put the sides (F) on left and right legs (A) (B) tighten the vise (J), put the division (G) with the glide (L), hook the back side (M) to sides (F).



Attach the door (H) to the side (F), Put the cover (E) on the top and tighten the glides (I).



Dimension

-Height: 29 1/2"
-Width: 47 1/2"
-Depth: 23 1/2"

Note: Match colored stickers

