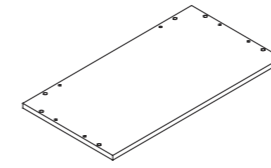


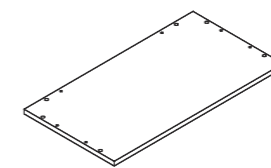
Assembly Instructions
30" Low Storage Cabinet



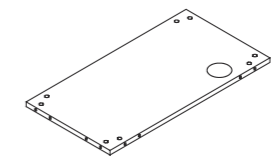
Components



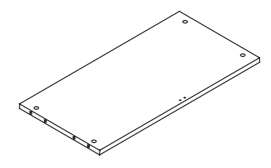
A Top panel (1)



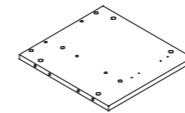
B Bottom panel (1)



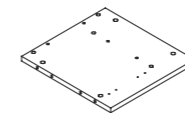
C Back Panel (1)



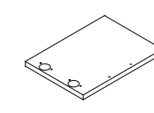
D Shelf Panel (1)



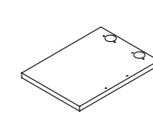
E Left side panel (1)



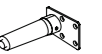
F Right side panel (1)



G Left door panel (1)



H Right door panel (1)



I Leg (4)

Hardware/Tools



J Cam Lock (20)



K Cam bolt (20)



L Dowel (20)



M Bolt 6*15 (16)



N Screw 4*16 (24)



O Screw 4*14 (4)



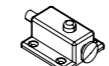
P Screw 3.5*12 (2)



Q Screw 3.5*20 (4)



R Hinge (4)



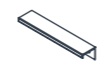
S Door Latch (1)



T Lock catch (1)



U Adhesive cover (20)

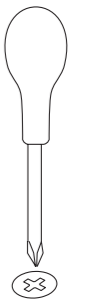


V Handle (2)

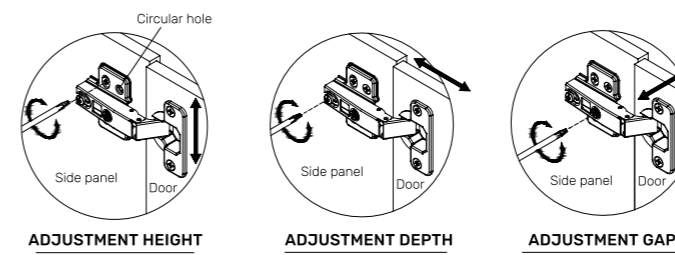
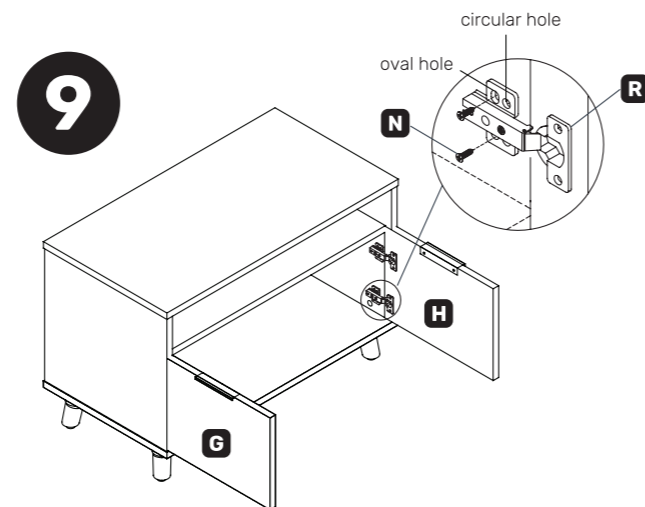
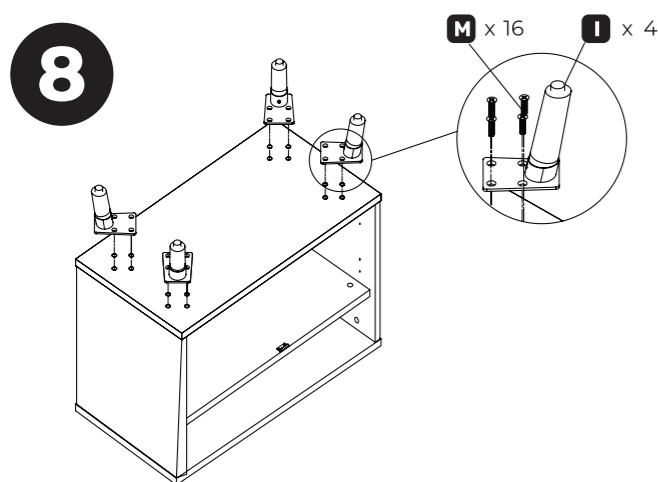
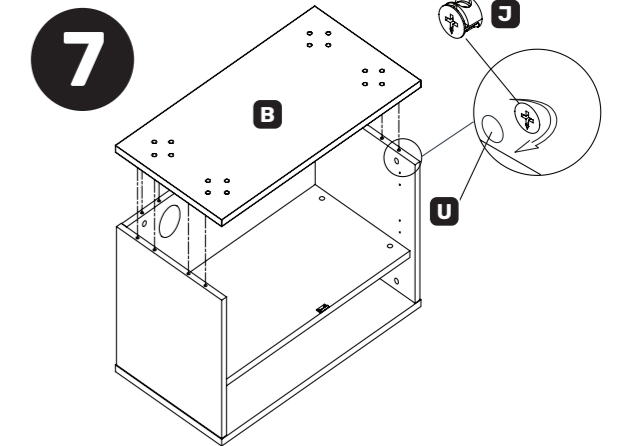
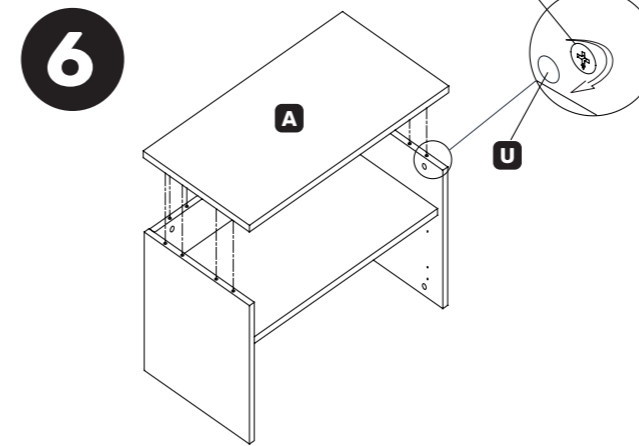
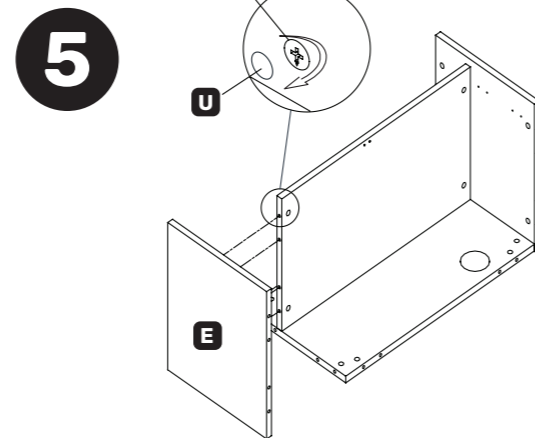
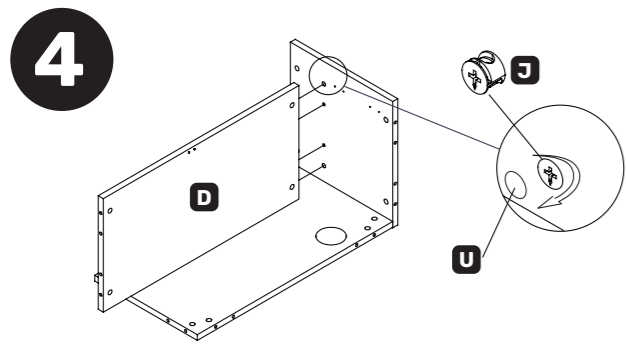
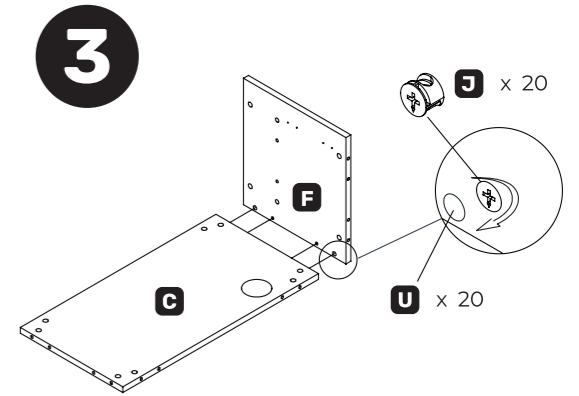
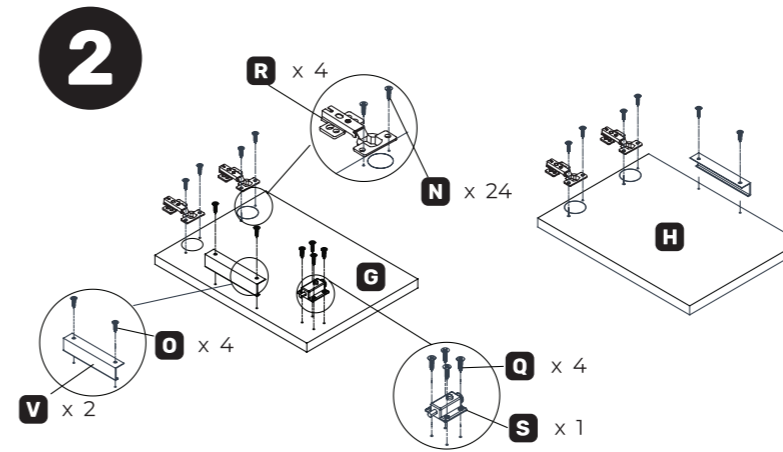
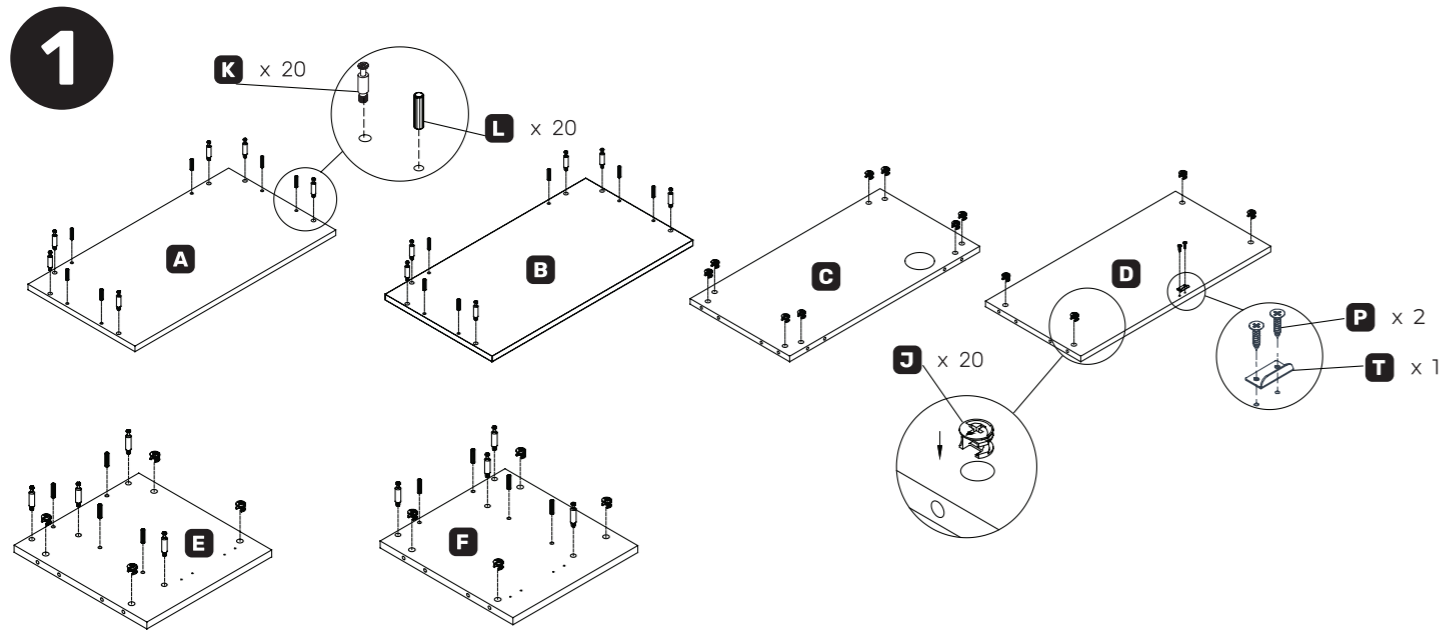


W Grommet (1)

! Tools Required for Assembly



Phillips Screwdriver



When adjustment height is OK,
Then use screw N to fix the hinge
in the circular hole

