



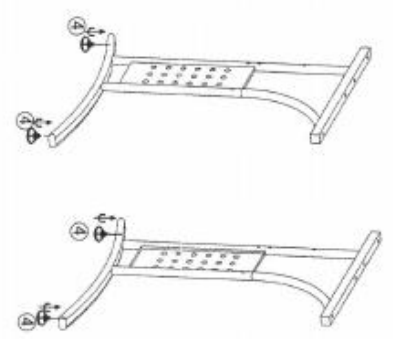
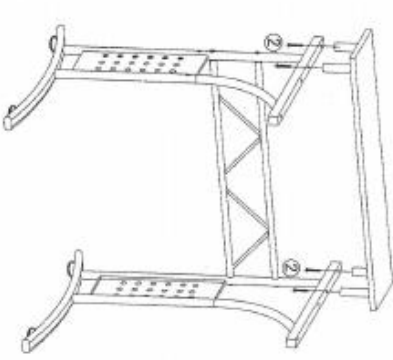
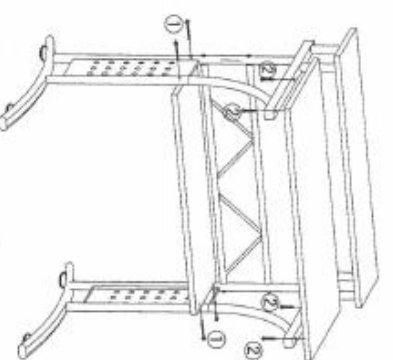
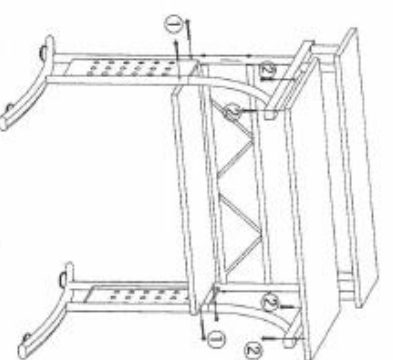
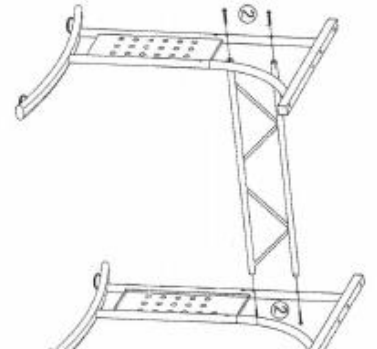
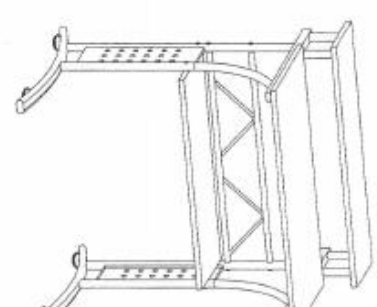
















<p>①</p>  <p>5X55X4</p>	<p>②</p>  <p>M6X35X12</p>	<p>③</p>  <p>M6X20X4</p>	<p>④</p>  <p>M8X4</p>
<p>1</p> 	<p>4</p> 	<p>2</p> 	<p>5</p> 
<p>3</p> 	<p>NAN-CLIFTON-GG</p> 		

X-5M

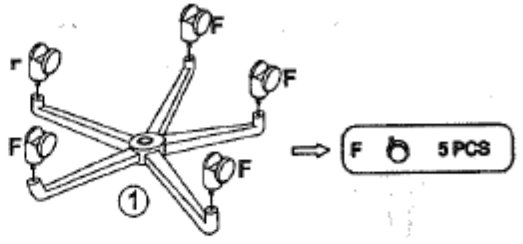
Assembly instructions

PARTS

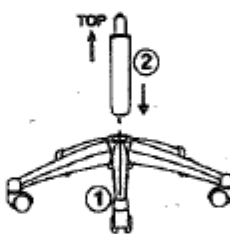
<p>① X 1</p> 	<p>A.M6*25 X 4</p> 
<p>② X 1</p> 	<p>B.M6*20 X 4</p> 
<p>③ X 1</p> 	<p>C.M6*35 X 4</p> 
<p>④ X 1</p> 	<p>D.X 4</p> 
<p>⑤ X 1</p> 	<p>E.X 1</p> 
<p>⑥ X 1</p> 	<p>F.X 5</p> 
<p>⑦ X 1</p> 	<p>G.X 2 H.X 2</p> 

NOTICE:
EVERY 6 MONTHS, PLEASE MAKE SURE ALL BOLTS,
SCREWS AND KNOBS ARE FULLY TIGHTENED TO
ENSURE STABILITY.

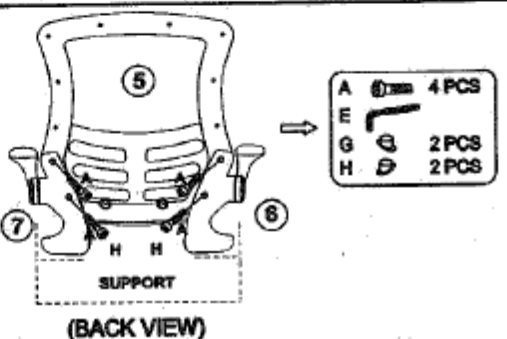
STEP 1



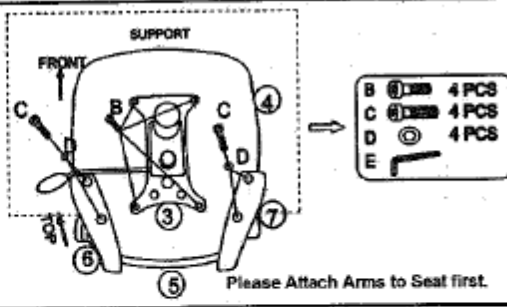
STEP 2



STEP 3



STEP 4



STEP 5

