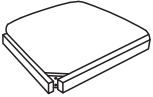


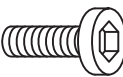
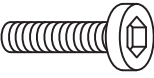
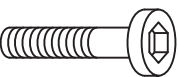






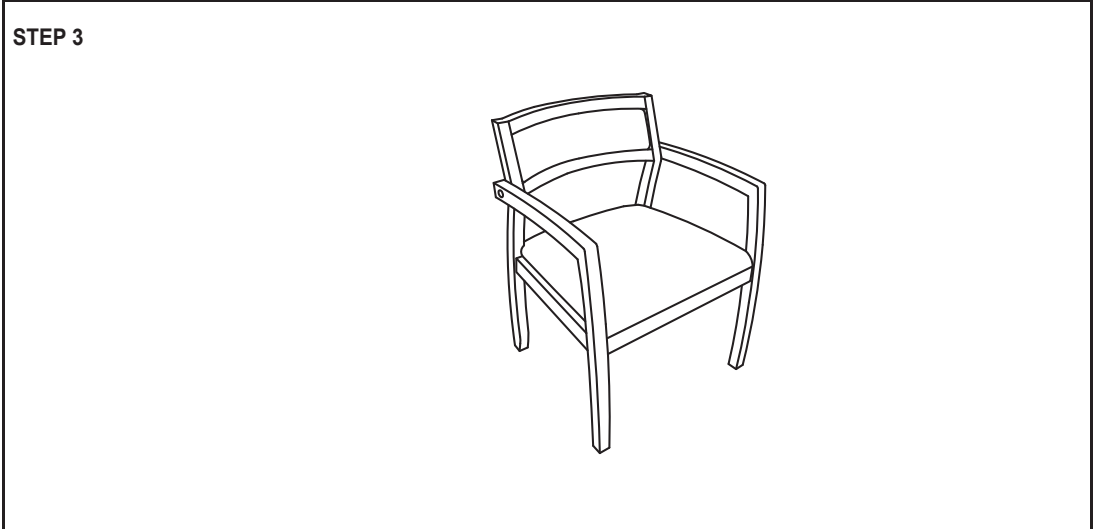
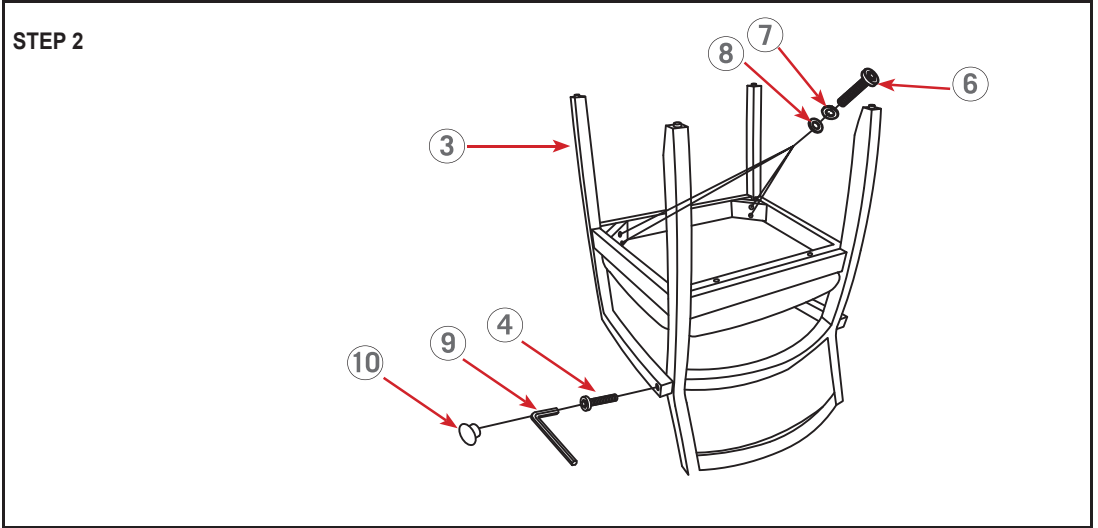
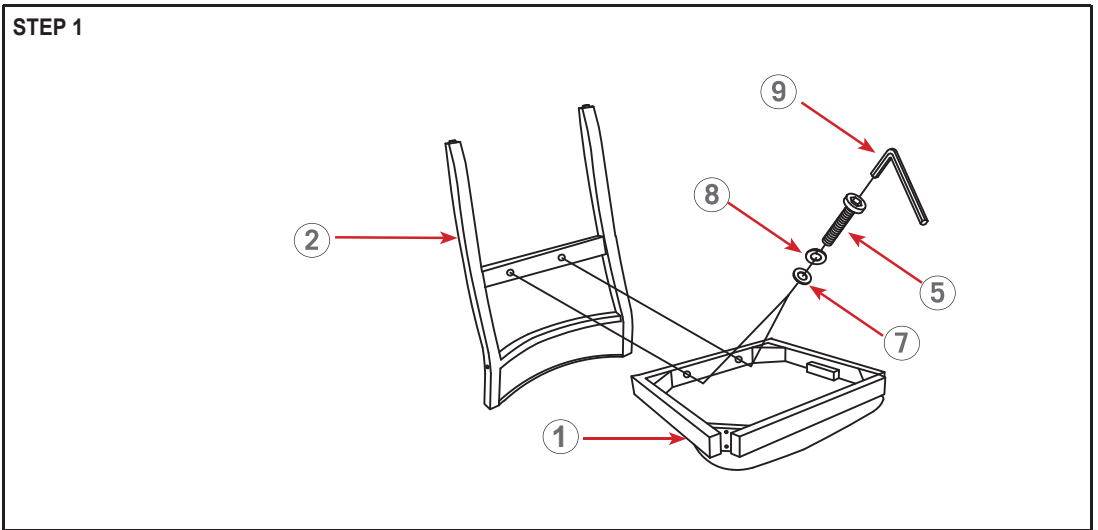
EXPRESSIONS COLLECTION CONFERENCE CHAIR  
ASSEMBLY INSTRUCTIONS



Congratulations on the purchase of four new *Efficient* chair!

**PARTS** – remove all the parts from the carton and verify part quantities as indicated on this parts list.

<p>①</p>  <p>SEAT – QTY: 1</p>
<p>②</p>  <p>BACK – QTY: 1</p>
<p>③</p>  <p>ARMS – QTY: 2</p>
<p>④</p>  <p>1-1/4" SCREW – QTY: 2</p>
<p>⑤</p>  <p>1-3/4" SCREW – QTY: 2</p>
<p>⑥</p>  <p>2-3/4" SCREW – QTY: 4</p>
<p>⑦</p>  <p>1.5T WASHER – QTY: 6</p>
<p>⑧</p>  <p>1.5T WASHER – QTY: 6</p>
<p>⑨</p>  <p>ALLEN KEY – QTY: 1</p>
<p>⑩</p>  <p>PLASTIC CAP – QTY: 2</p>



**IMPORTANT:** This chair is to be used by one person at a time. Be sure all screws are securely tight ened. Save the wrench and periodically tighten the screws. Do not use the chair as a stepladder. Use this chair for its intended purpose only.