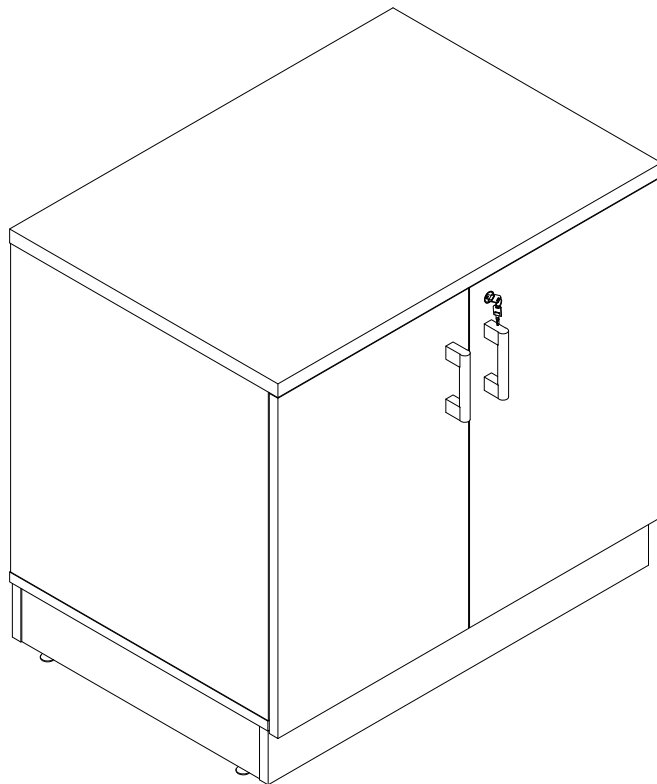

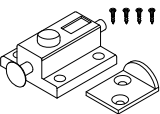


NBF

Storage Cabinet Assembly Instructions

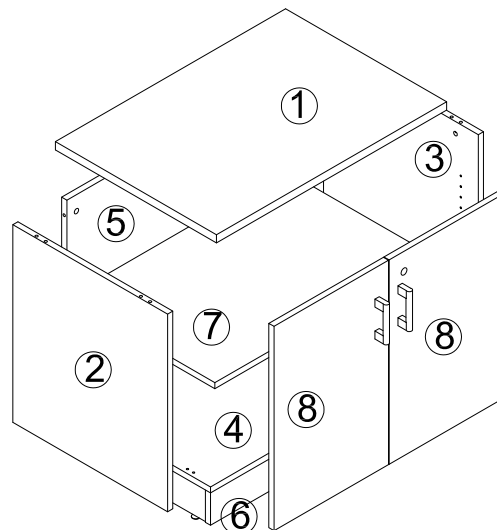


Assembly HARDWARE

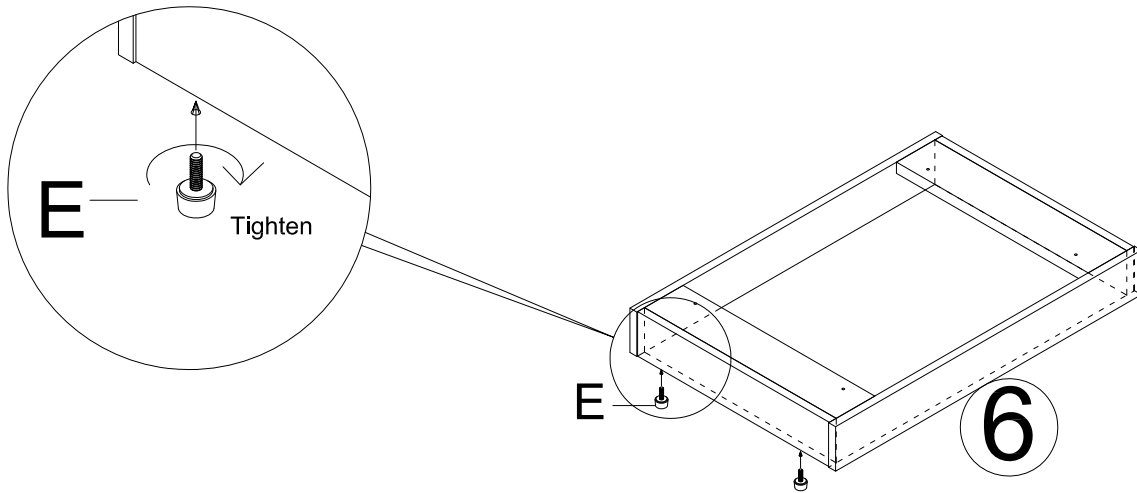
S/N	PICTURE	NAME	TOTAL QTY	REMARK
A		CAM SCREW	18+2(SPARE)	
B		KLIX CAM	18+2(SPARE)	
C		CAM COVER STICKER	18+2(SPARE)	use cam covers to cover any klix cam screws
D		WOOD DOWEL	12+2(SPARE)	
E		LEVELER	4+1(SPARE)	
F		SHELF PEG	4+1(SPARE)	
G		HINGE	4PCS	
H		LOCK	1PCS	
I		LATCH	1PCS	
J		Handle With Screws	2PCS	
K		Ø4*35Screw	4PCS	

PART LIST

- ① TOP PANEL
- ② LEFT SIDE PANEL
- ③ RIGHT SIDE PANEL
- ④ BASE PANEL
- ⑤ BACK SUPPORT
- ⑥ BASE SUPPORT
- ⑦ SHELF
- ⑧ DOOR(2)

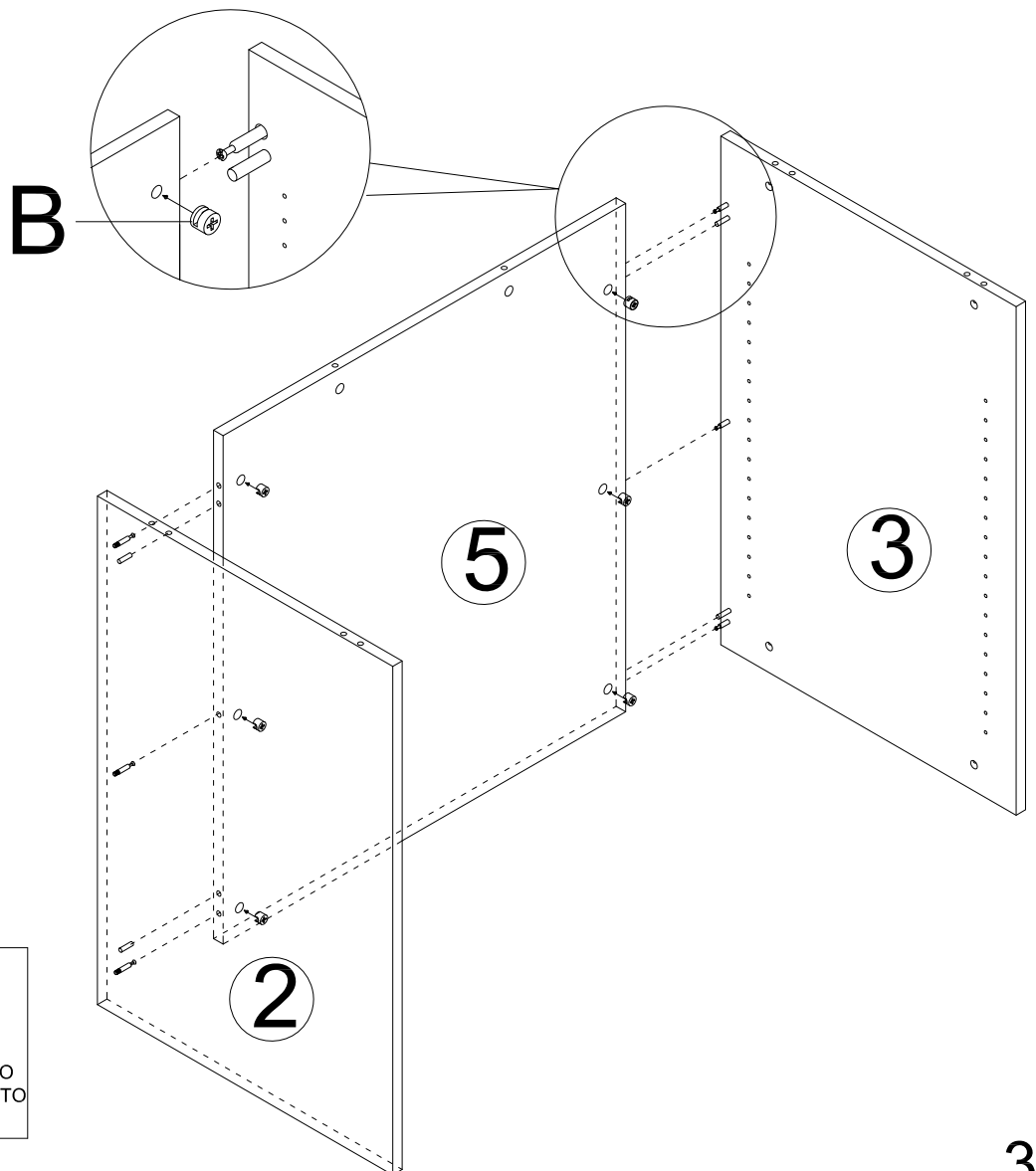


1. INSTALL THE "E" LEVELERS ON THE BOTTOM OF BASE SUPPORT ⑥.
E(4x)

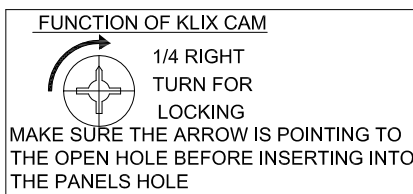


2. INSTALL "A" CAM SCREWS AND "D" DOWELS INTO SIDE PANEL ③ AND "B" KLIX CAMS INTO BACK PANEL ⑤ . CONNECT PANEL ③ TO ⑤ . TIGHTEN. REPEAT STEP TO CONNECT ② TO ⑤ .

A (6x)
B (6X)
D(4X)



IMPORTANT:

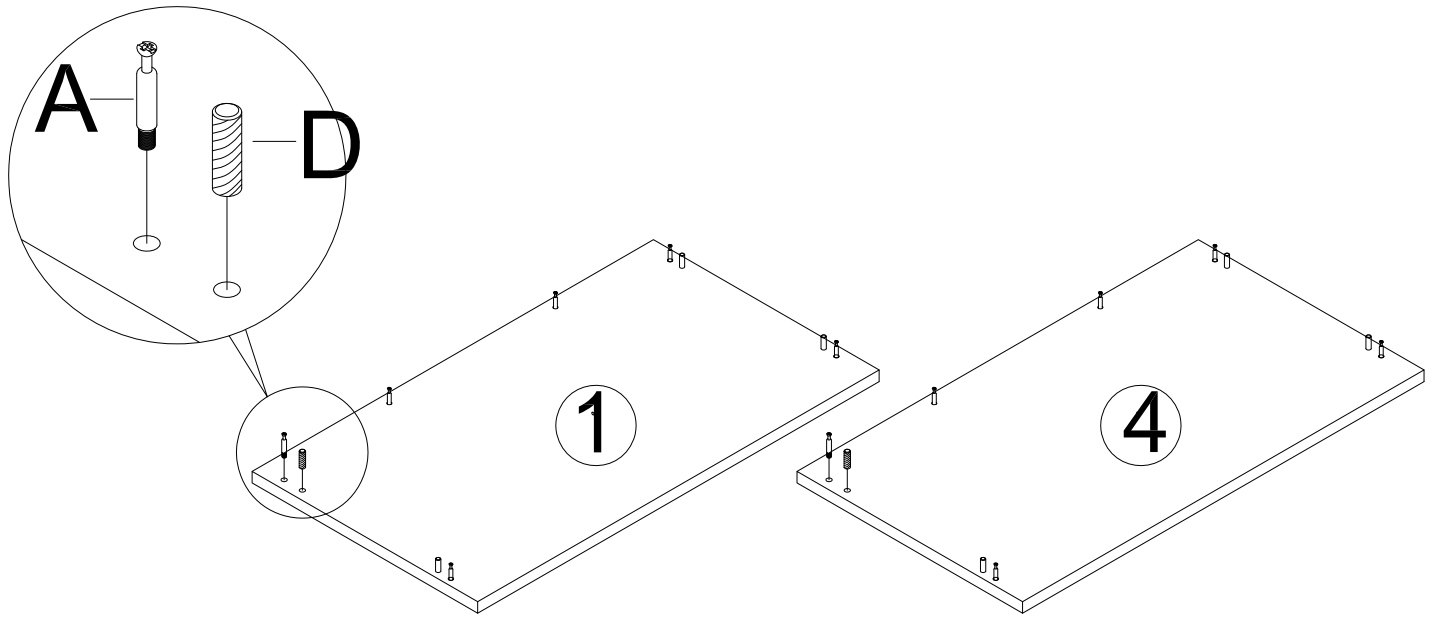


3.

3. INSTALL "A" CAM SCREWS AND "D" DOWELS ON UNDERSIDE OF TOP ① & BOTTOM PANEL ④ .

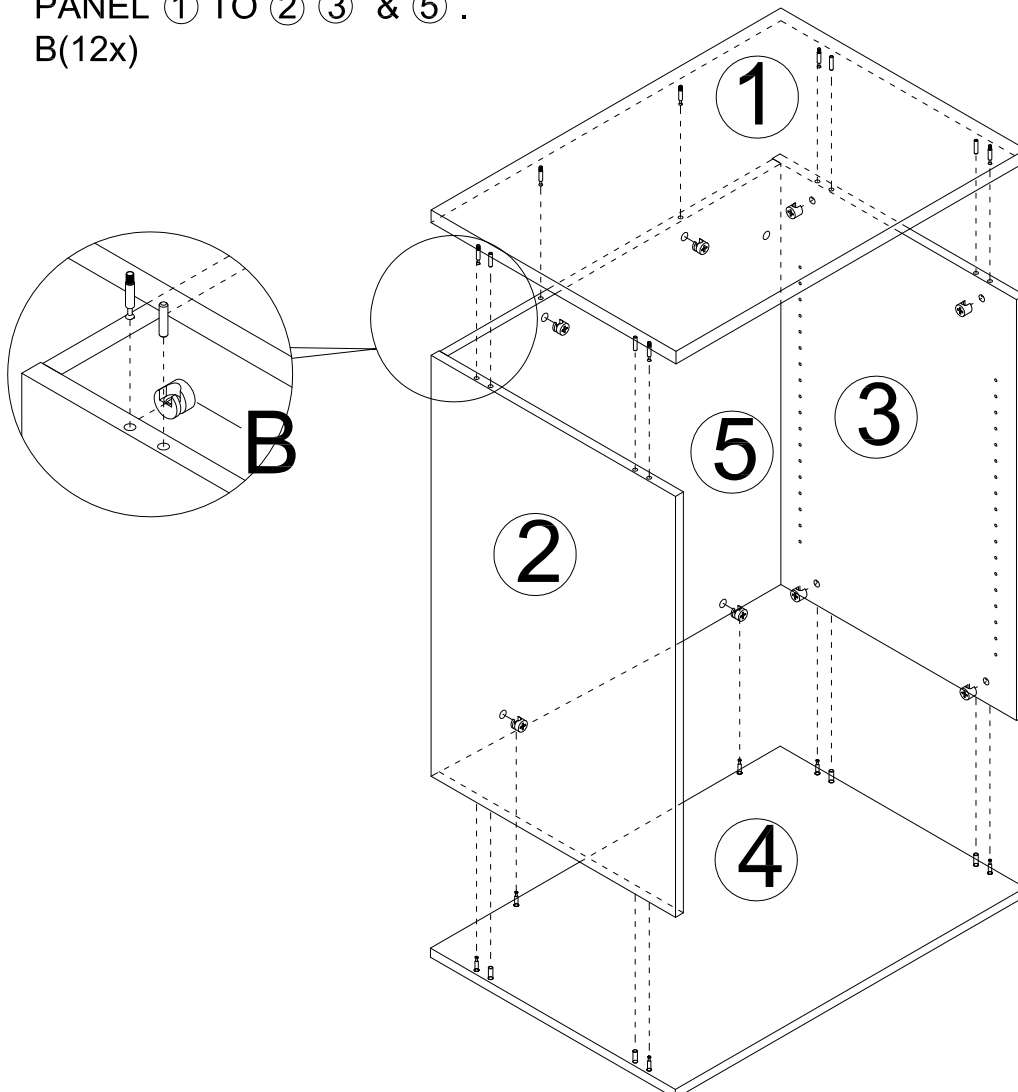
A(12x)

D(8X)

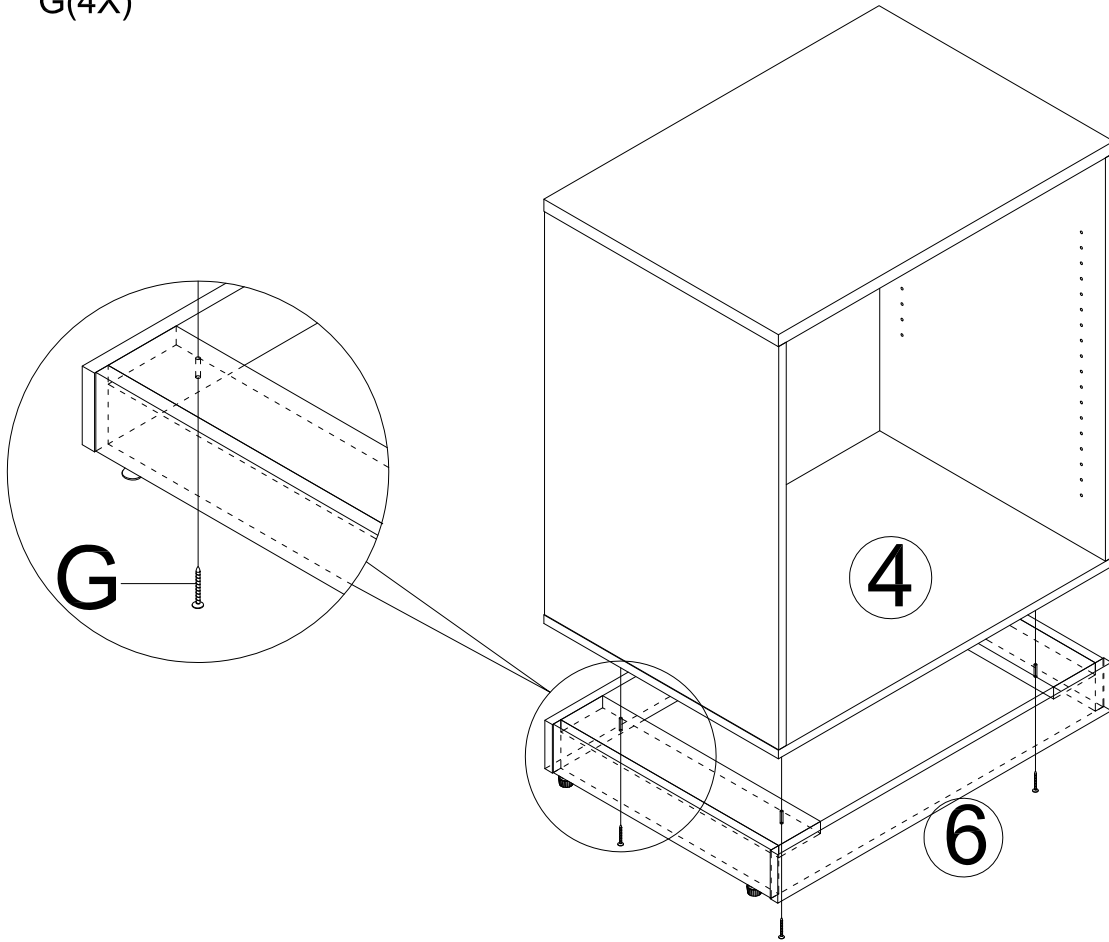


4. INSTALL "B" KLIX CAMS INTO SIDE PANELS ② ③ & ⑤. THEN CONNECT BOTTOM PANEL ④ TO ② ③ & ⑤. TIGHTEN. REPEAT STEP TO CONNECT TOP PANEL ① TO ② ③ & ⑤ .

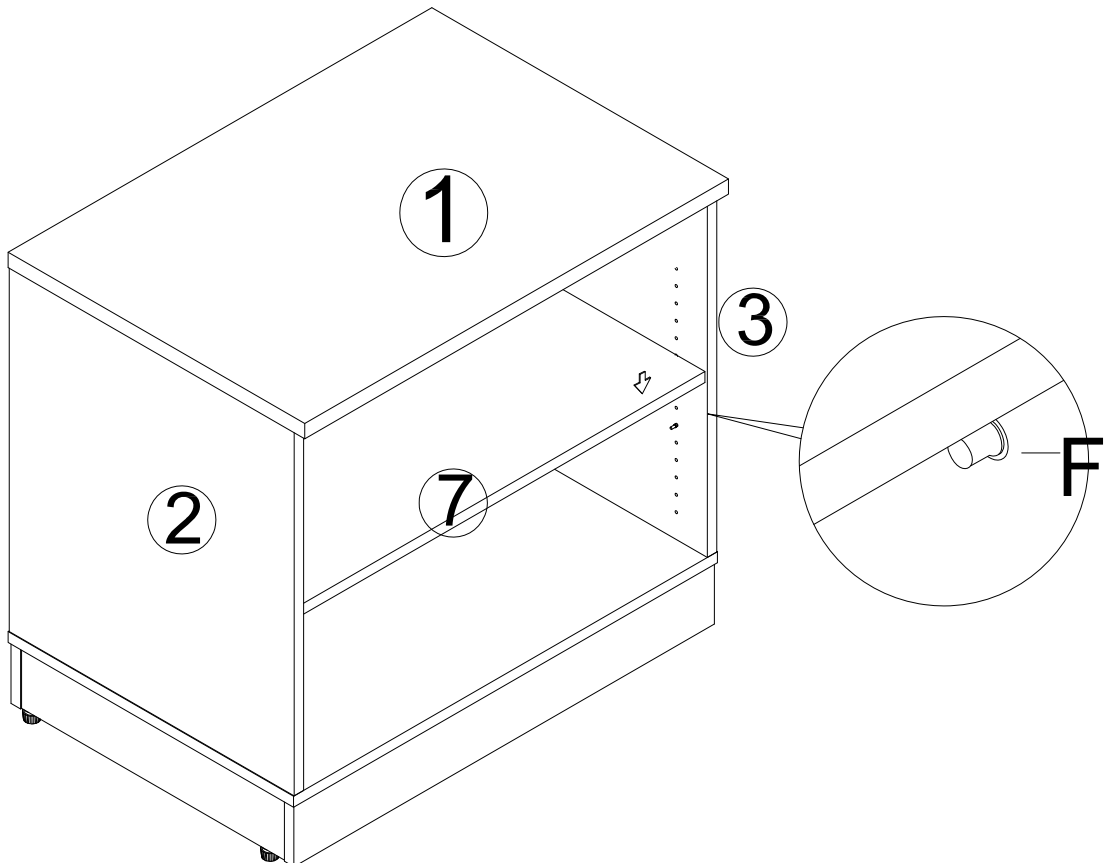
B(12x)



5. CONNECT BASE SUPPORT ⑥ TO BOTTOM PANEL ④ USING "G" SCREWS.
G(4X)

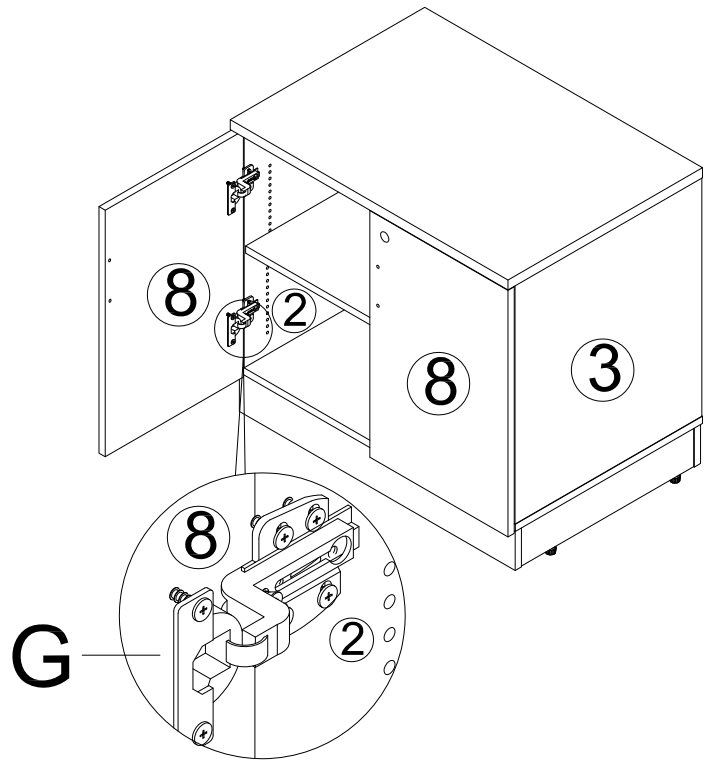
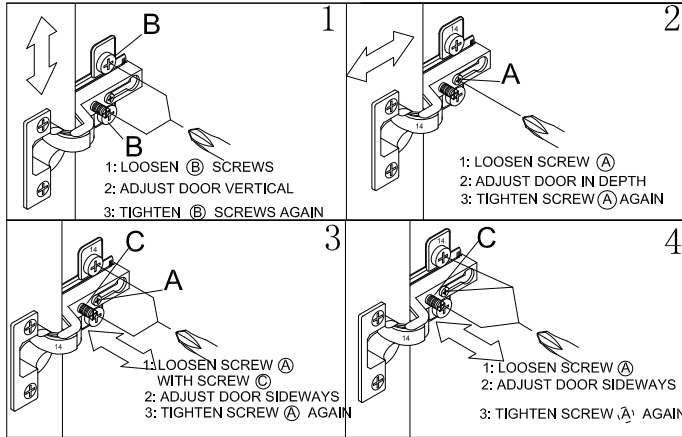


6. INSERT "F" SHELF PEGS INTO SIDE PANELS ② AND ③ . SET SHELF ⑦ ON TOP OF PEGS.
F(4X)

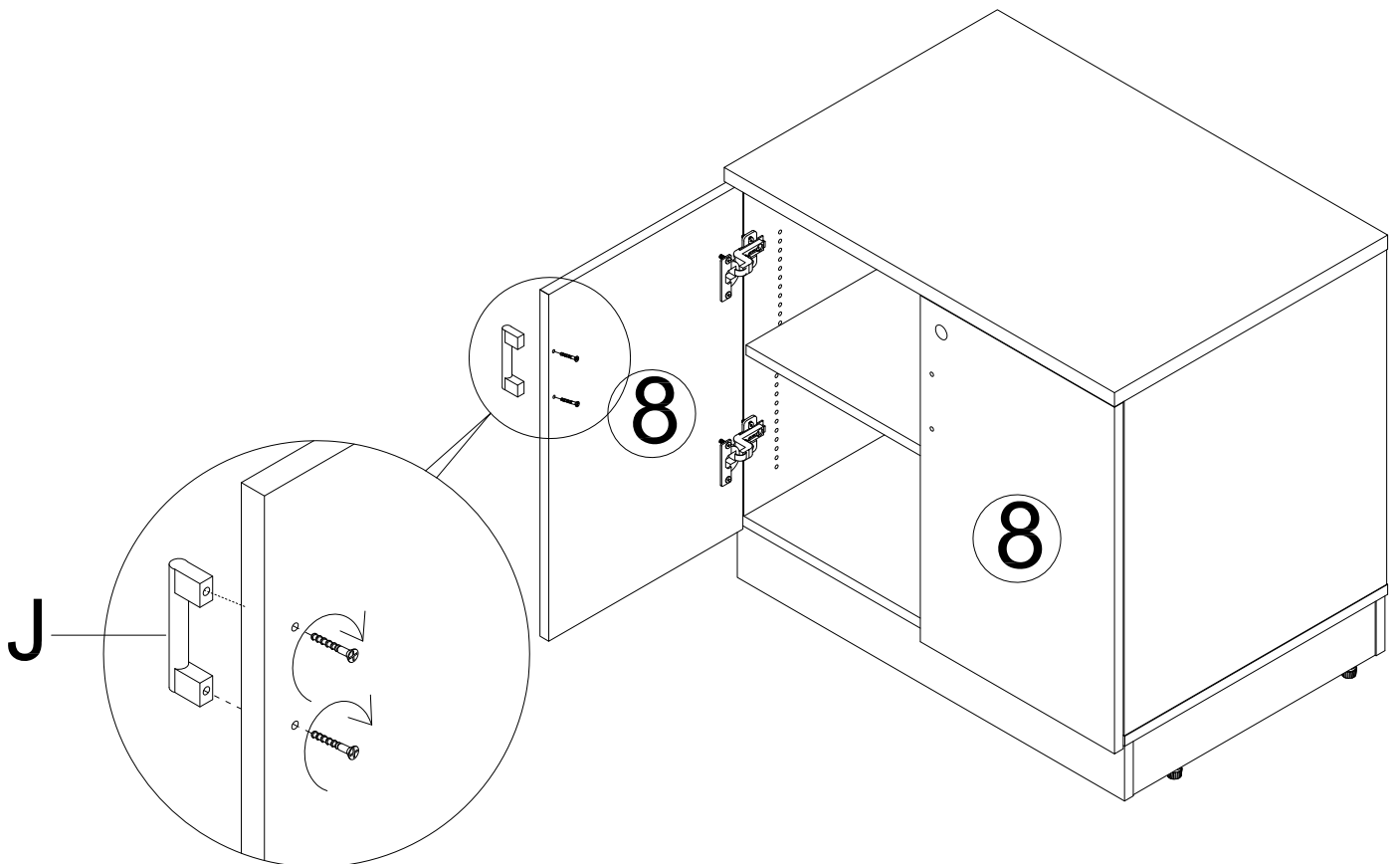


7. INSTALL "G" HINGES ON INSIDE OF DOOR ⑧, 2 PER DOOR. ATTACH HINGE TO INSIDE OF SIDE PANELS ② AND ③, ADJUST AS NEEDED. SEE BOX.
G(4X)

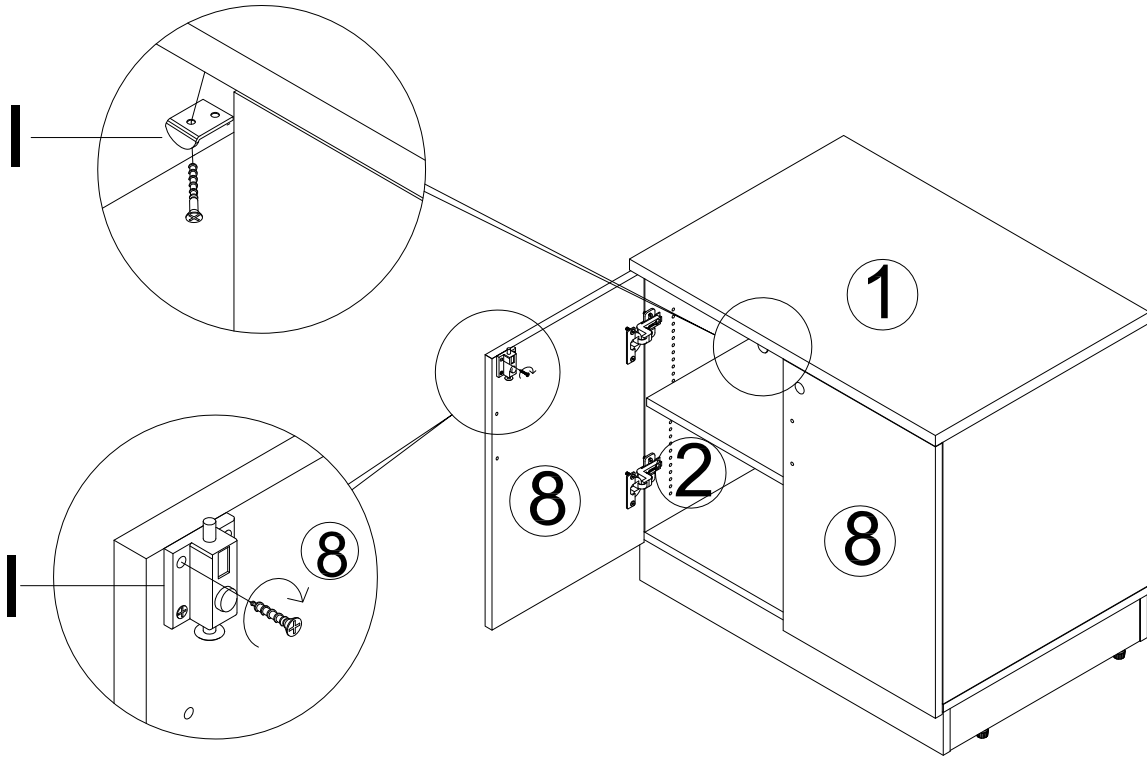
To adjust doors



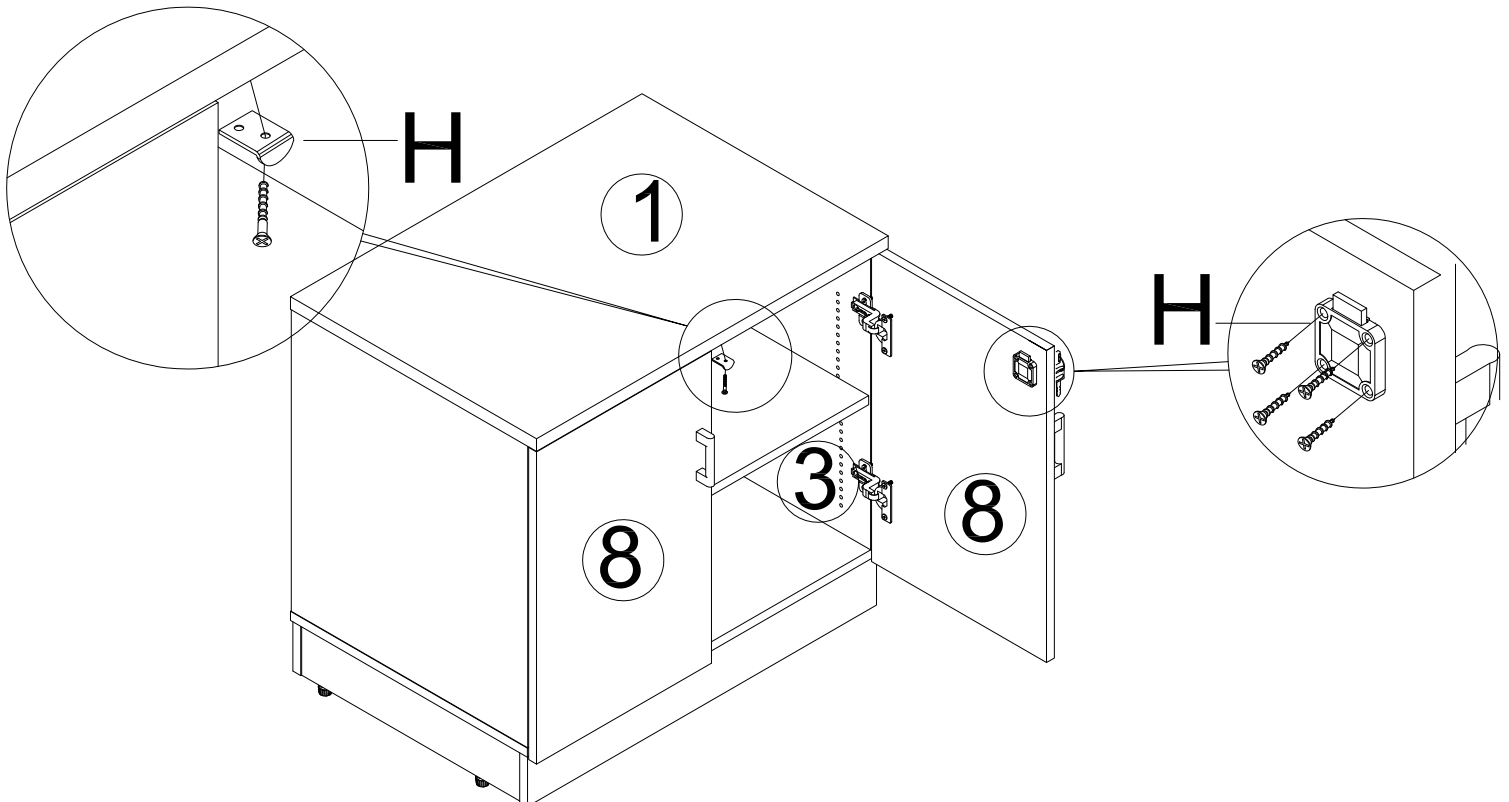
8. INSTALL "J" HANDLES ON DOOR ⑧. ONE PER DOOR.
J(2x)



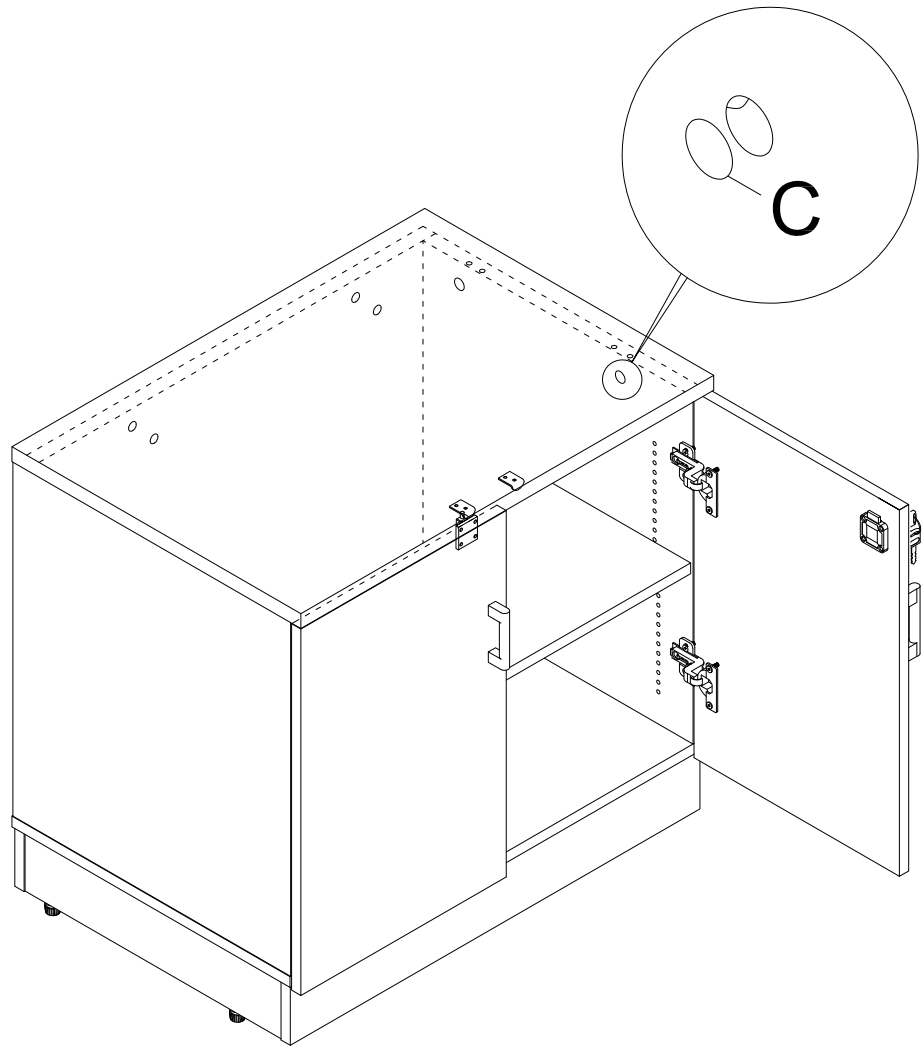
9. INSTALL "I" LATCH ON THE UNDERSIDE OF TOP ① AND ON INSIDE OF LEFT FACING DOOR ⑧.(DOOR ATTACHED TO PANEL ②)
I (1x)



10. INSTALL "H" LOCK UNDER TOP ① & ON INSIDE OF RIGHT FACING DOOR ⑧.(DOOR ATTACHED TO PANEL ③)
H(1X)



11. USE "C" CAM COVERS STICKERS TO COVER ALL EXPOSED KLIX CAMS.
C (18x)



12. COMPLETED

