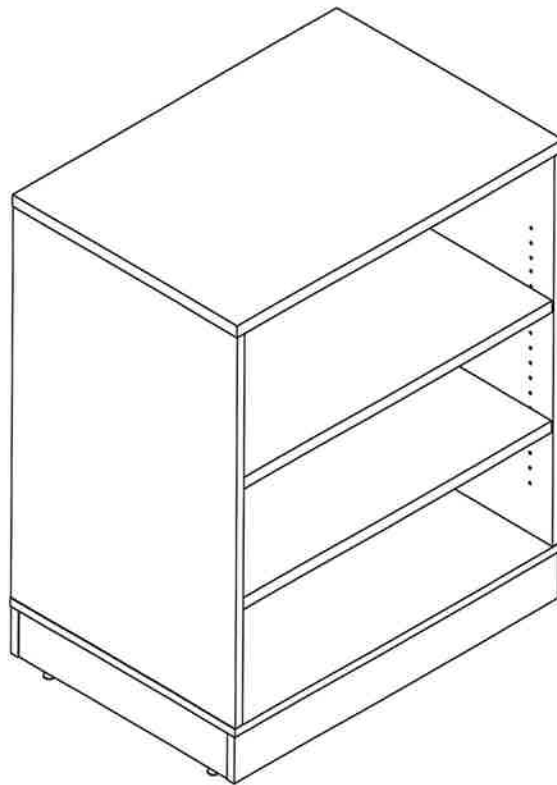


NBF



Bookcase Assembly Instructions



NBC39

1.

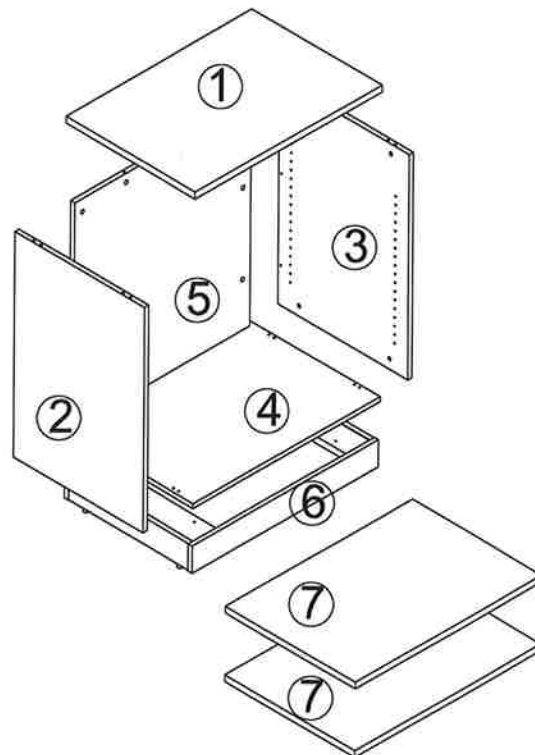


Assembly HARDWARE

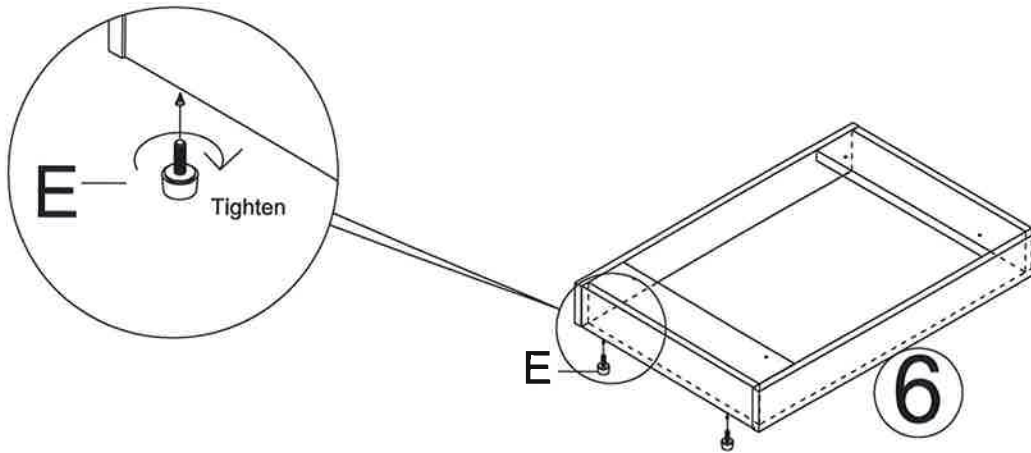
S/N	PICTURE	NAME	TOTAL QTY	REMARK
A		CAM SCREW	18+2(SPARE)	
B		KLIX CAM	18+2(SPARE)	
C		CAM COVER STICKER	18+2(SPARE)	use cam covers to cover any klix cam screws
D		WOOD DOWEL	12+2(SPARE)	
E		LEVELER	4+1(SPARE)	
F		SHELF PEG	8+1(SPARE)	
G		Ø4*35Screw	4PCS	

PARTS LIST

- ① TOP PANEL
- ② LEFT SIDE PANEL
- ③ RIGHT SIDE PANEL
- ④ BOTTOM PANEL
- ⑤ BACK PANEL
- ⑥ BASE SUPPORT
- ⑦ SHELF (2)

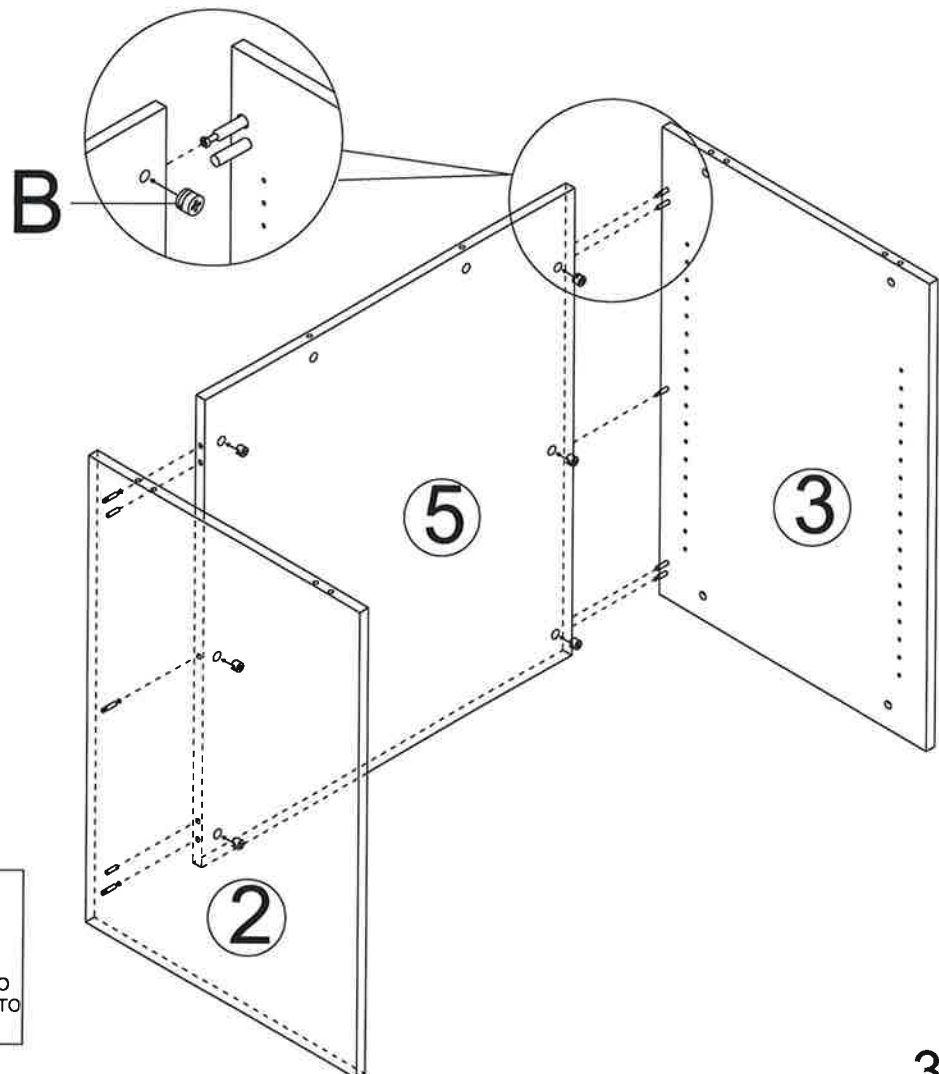


1. INSTALL THE "E" LEVELERS ON THE BOTTOM OF BASE SUPPORT ⑥.
E(4x)




2. INSTALL "A" CAM SCREWS AND "D" DOWELS INTO SIDE PANEL ③ AND "B" KLIX CAMS INTO BACK PANEL ⑤ . CONNECT PANEL ③ TO ⑤ . TIGHTEN. REPEAT STEP TO CONNECT ② TO ⑤.

A (6x)
B (6X)
D(4X)



IMPORTANT:

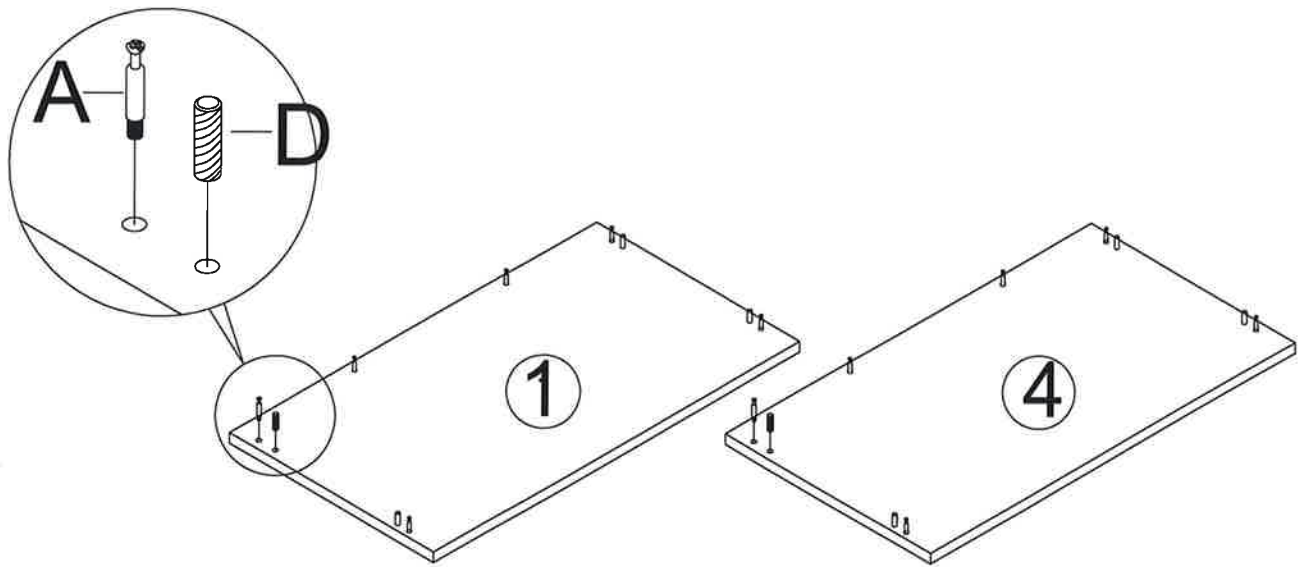
FUNCTION OF KLIX CAM

 1/4 RIGHT
 TURN FOR
 LOCKING
 MAKE SURE THE ARROW IS POINTING TO
 THE OPEN HOLE BEFORE INSERTING INTO
 THE PANELS HOLE

3.

3. INSTALL "A" CAM SCREWS AND "D" DOWELS ON UNDERSIDE OF TOP ① & BOTTOM PANEL ④ .

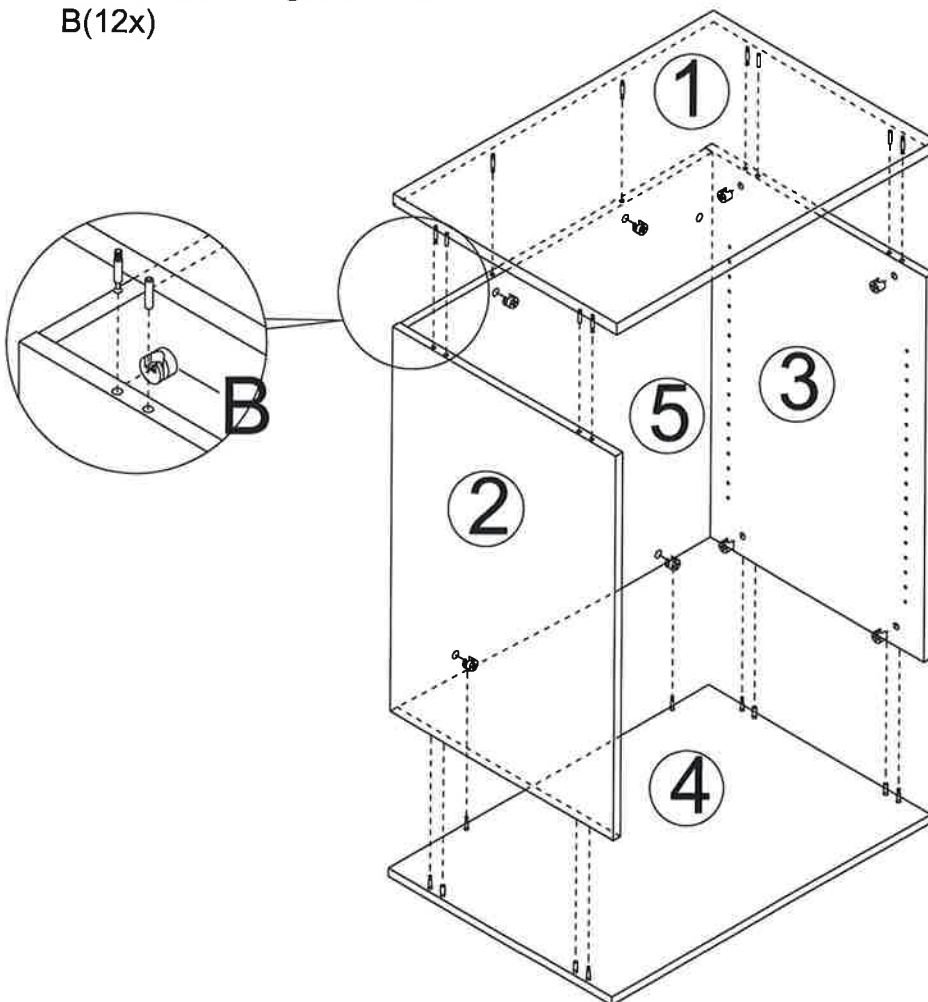
A(12x)

D(8X)

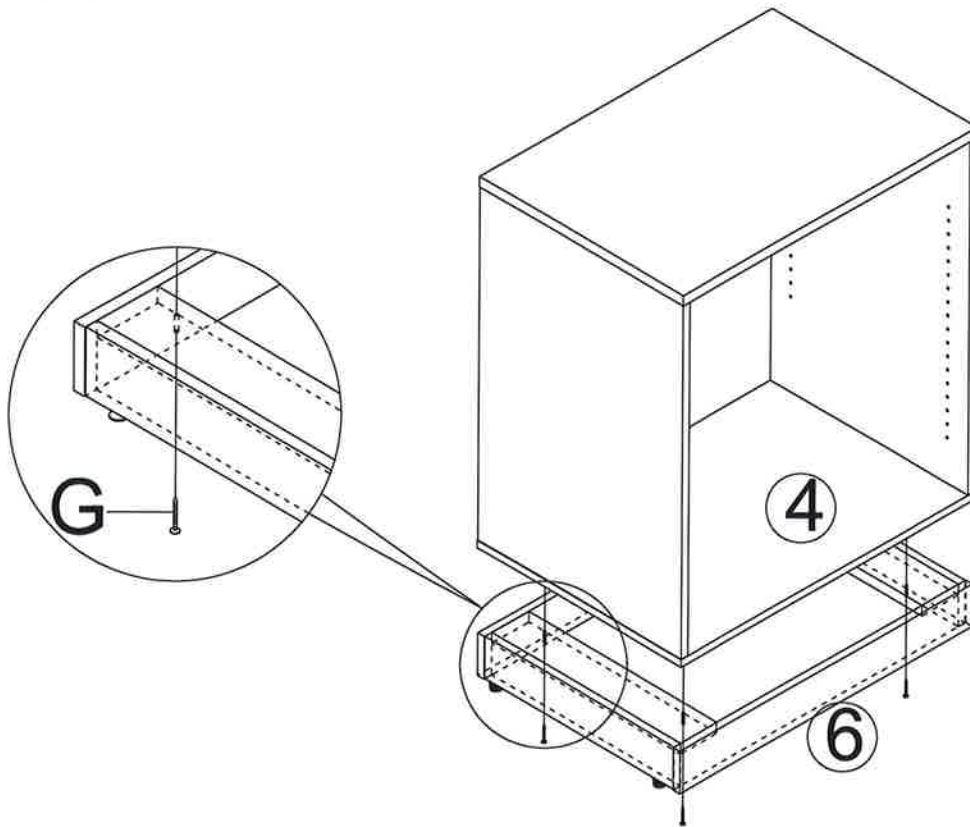


4. INSTALL "B" KLIX CAMS INTO SIDE PANELS ② ③ & ⑤. THEN CONNECT BOTTOM PANEL ④ TO ② ③ & ⑤. TIGHTEN. REPEAT STEP TO CONNECT TOP PANEL ① TO ② ③ & ⑤ .

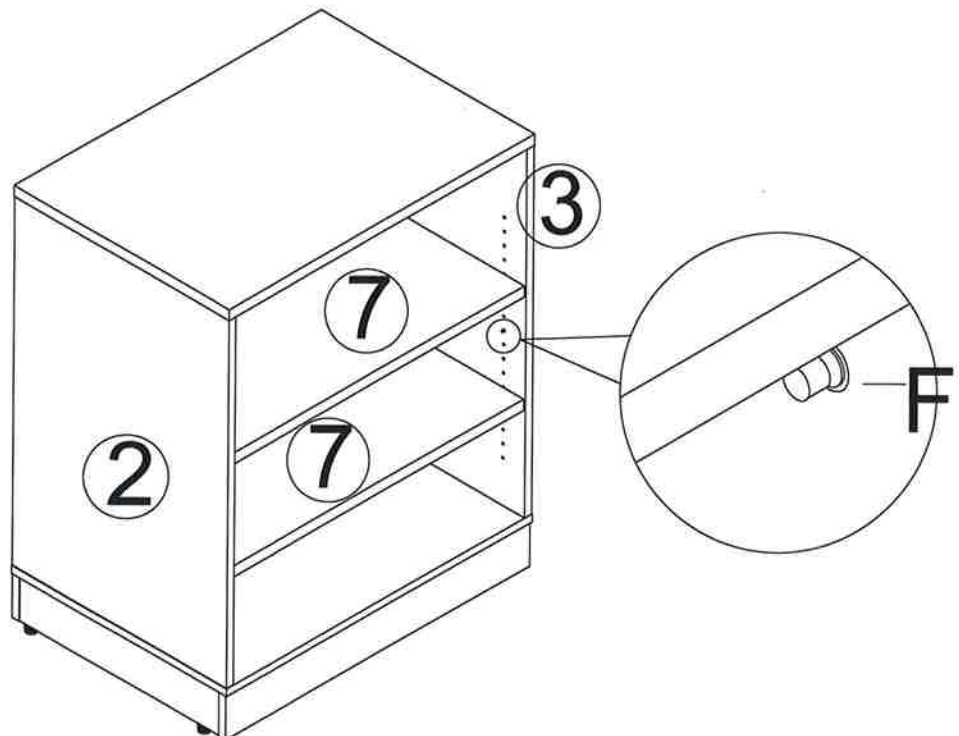
B(12x)



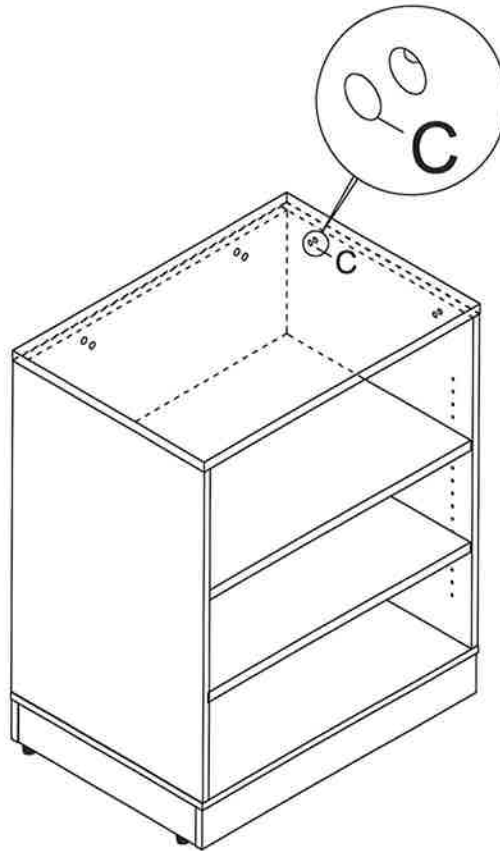
5. CONNECT BASE SUPPORT ⑥ TO BOTTOM PANEL ④ USING "G" SCREWS.
G(4X)



6. INSERT "F" SHELF PEGS INTO SIDE PANELS ② AND ③ . SET SHELVES ⑦ ON TOP OF PEGS.
F(8X)



7. USE "C" CAM COVER STICKERS TO COVER ALL EXPOSED KLIX CAMS.
C(18X)



8.COMPLETED

