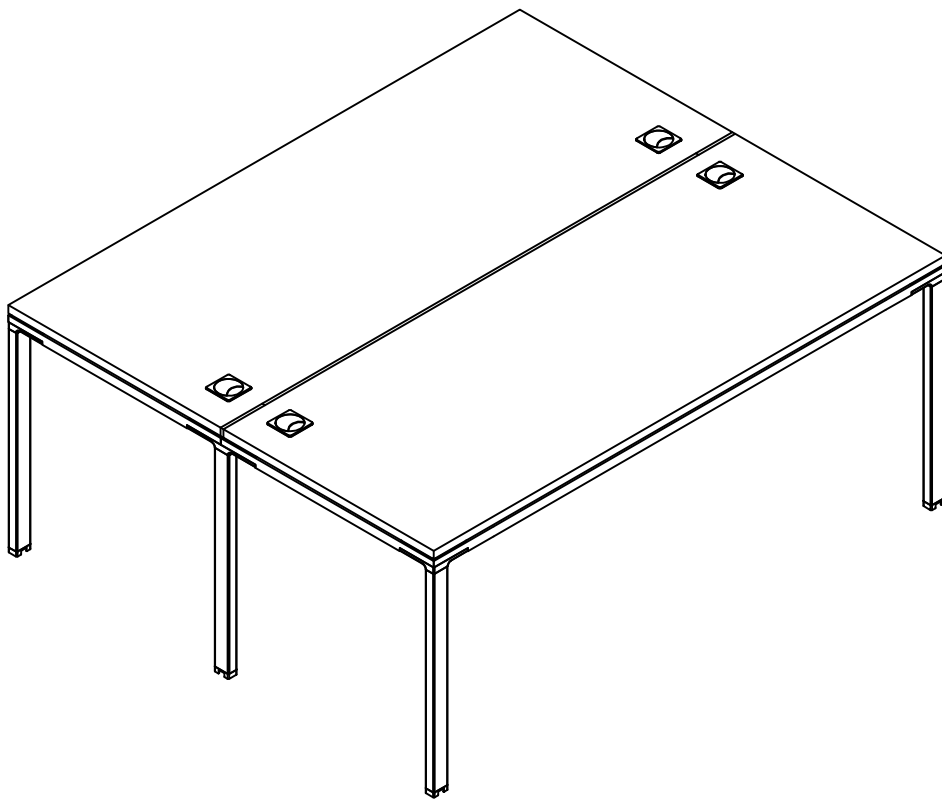




800-558-1010 | www.NBF.com

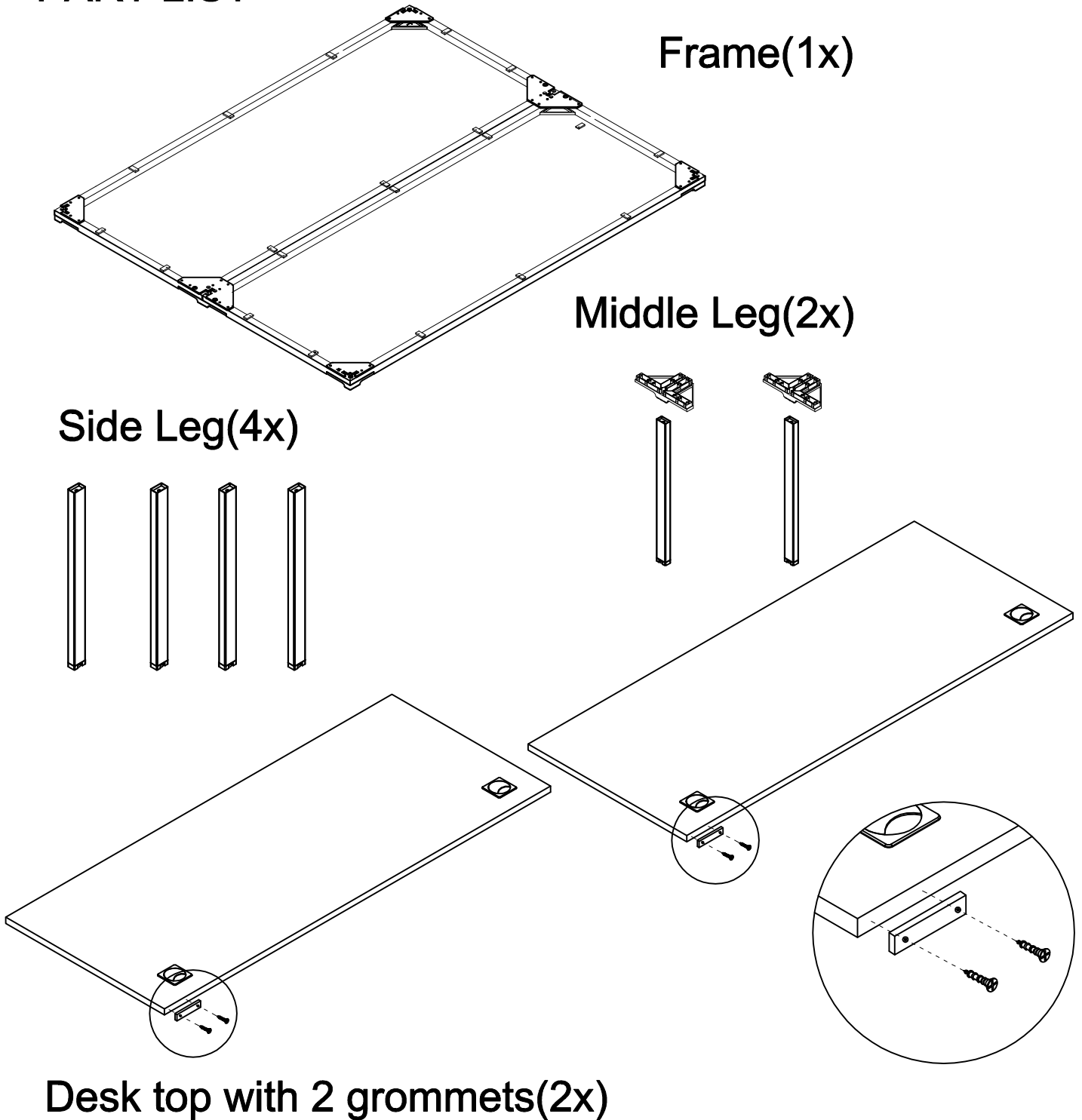
Element Collection -47" & 59" Two Person Workstation ASSEMBLY INSTRUCTIONS

Congratulations on the purchase of your new Signature Series product!







Congratulations on the purchase of your new Signature Series product!

PART LIST

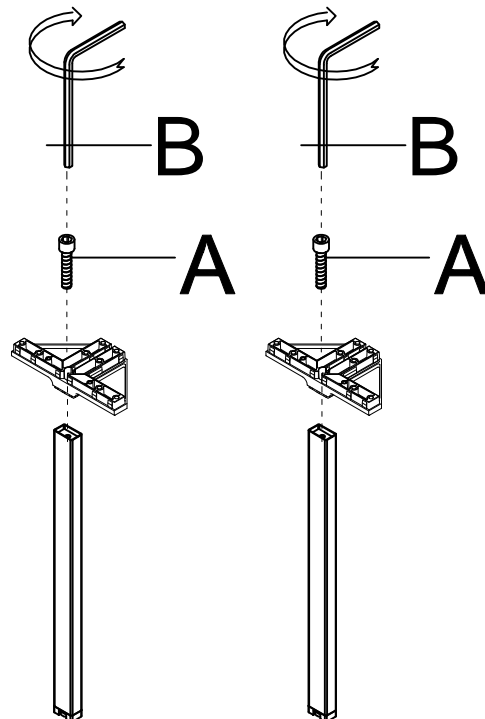


Congratulations on the purchase of your new Signature Series product!

Assembly HARDWARE				
S/N	PICTURE	NAME	TOTAL QTY	REMARK
A		M8*35 Leg screw	6PCS	
B		6M Wrench	1PCS	
C		5M Wrench	1PCS	
D		M6*19 Top screw	20PCS	

1. INSTALL MIDDLE LEGS USING "A" LEG SCREWS, THEN TIGHTEN WITH "B" WRENCH.

A(2x)
B(1X)



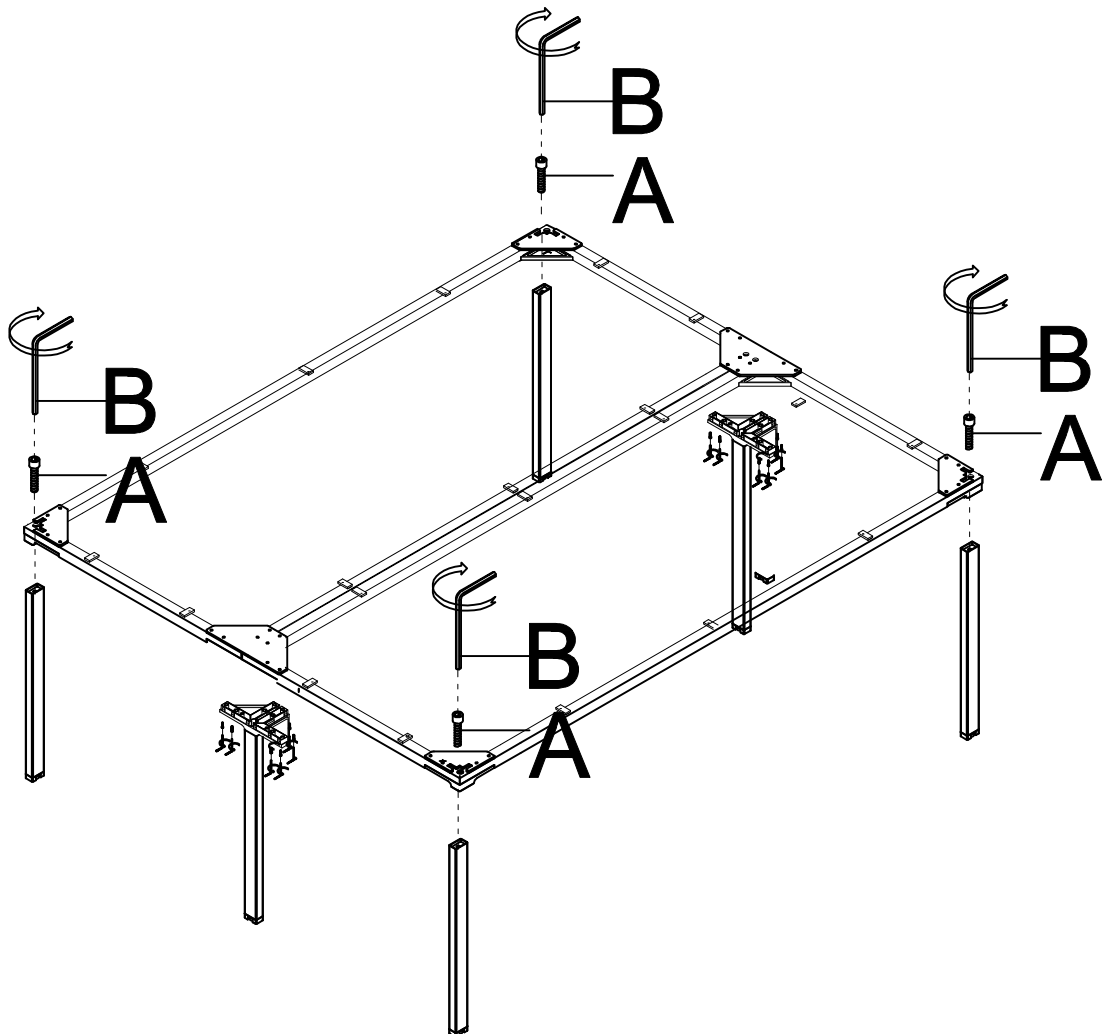
Congratulations on the purchase of your new Signature Series product!

2. INSTALL SIDE LEGS TO FRAME USING "A" LEG SCREWS, THEN TIGHTEN WITH "B" WRENCH.

A(4x)

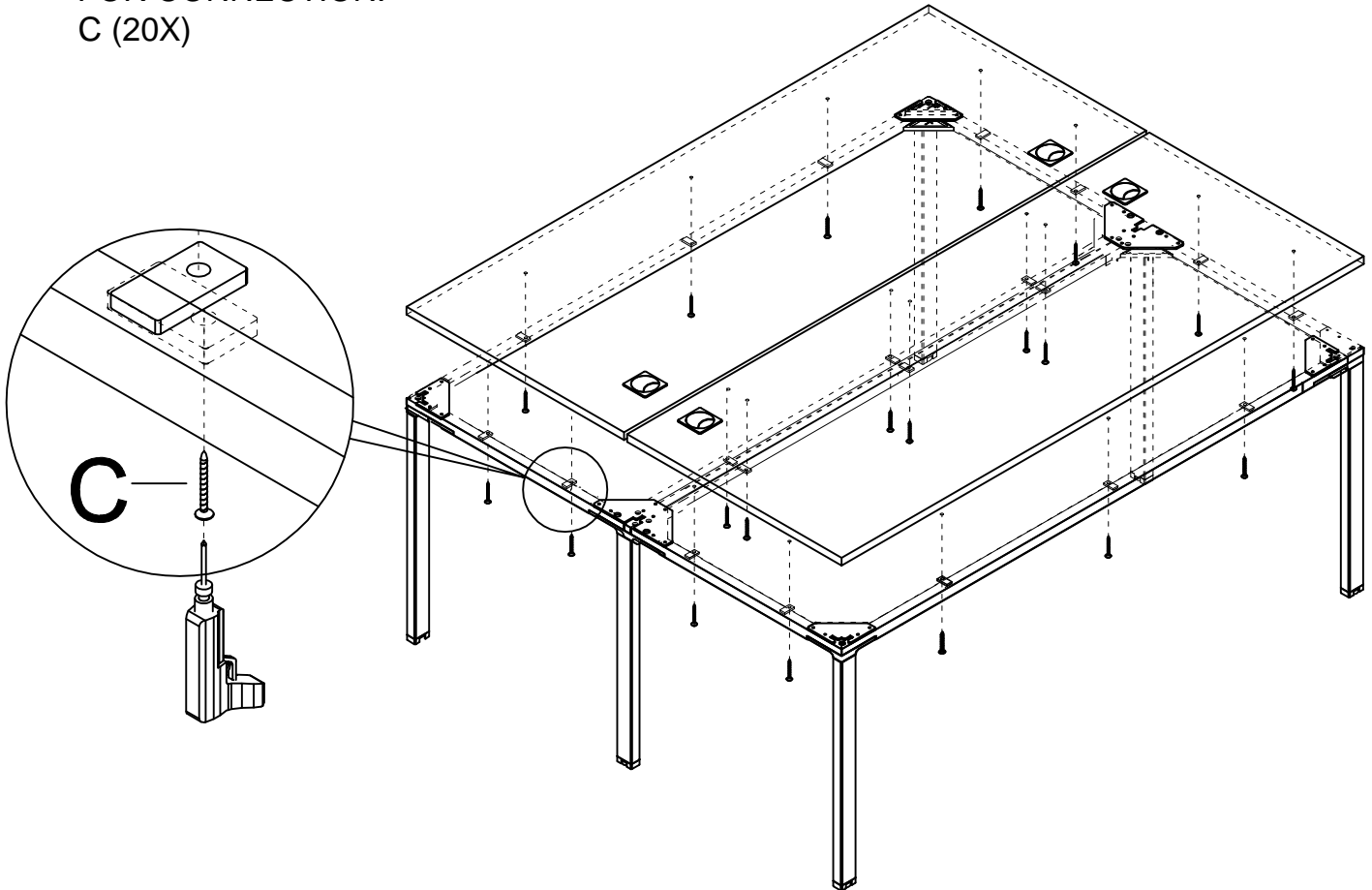
B(1X)

THEN INSTALL MIDDLE LEGS TO FRAME USING PRE-INSTALLED "A" LEG SCREWS. THEN TIGHTEN WITH "B" WRENCH. 8PCS PER EACH LEG.



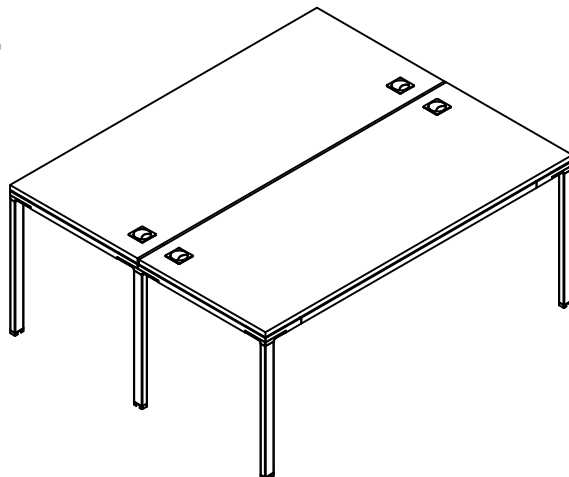
Congratulations on the purchase of your new Signature Series product!

3. CONNECT DESK TOPS TO FRAME USING "C" TOP SCREWS, USE POWER DRILL FOR CONNECTION.
C (20X)



Note: If Installing Desktop divider, Install one desktop first, then see divider instructions before attaching second desktop.

4. COMPLETE.





800-558-1010 | www.NBF.com

Element Collection -47" & 59" Two Person Workstation ASSEMBLY INSTRUCTIONS

Congratulations on the purchase of your new Signature Series product!

5. IF YOU WANT TO ADD CREDENZA UNDER DESK LIKE BELOW, PLEASE INSTALL THE SHORT LEG FROM CREDENZA BOX AND KEEP LONG LEG FOR YOUR SPARE USE.

