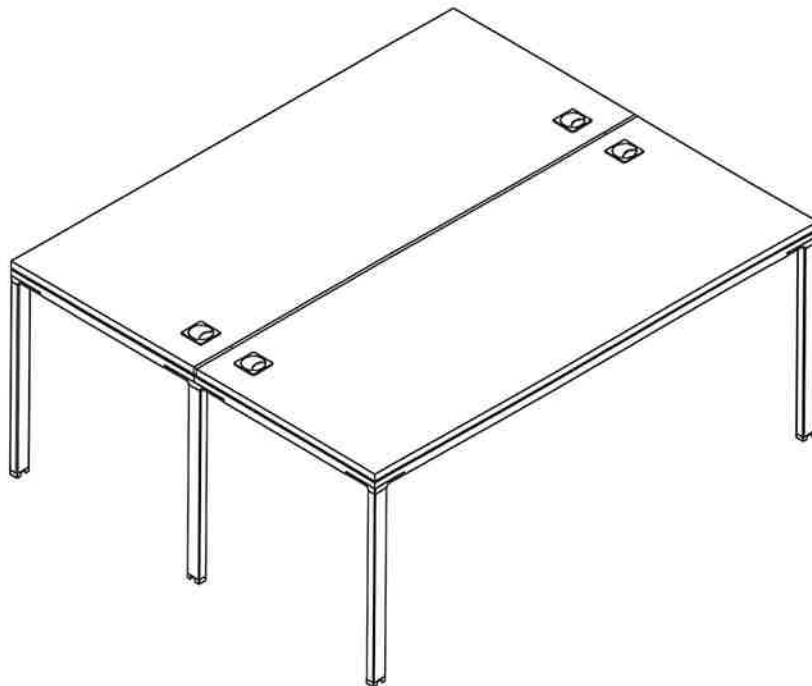




NBF

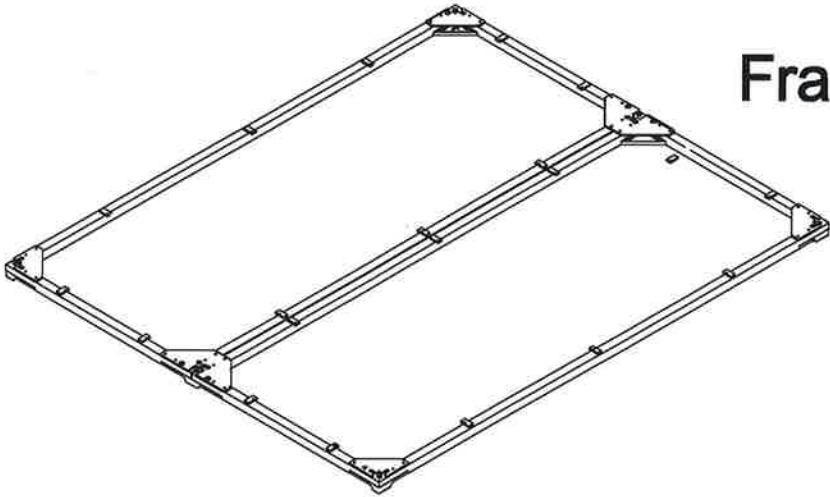
**47" & 59" Two Person Workstation
Assembly Instructions**



**O-E2P-1260D-A
O-E2P-1560D-A**

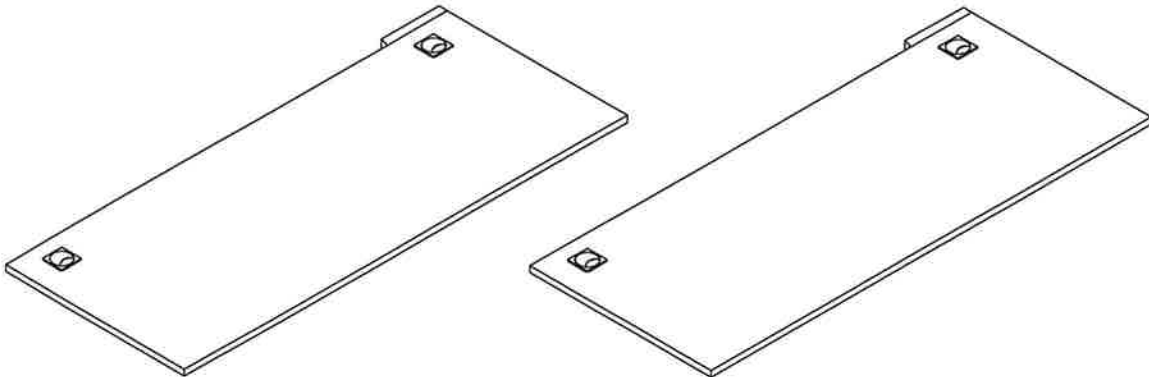
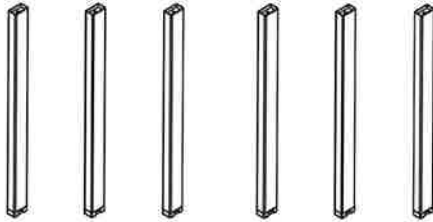
1.

PART LIST



Frame(1x)




Side Leg(6x)



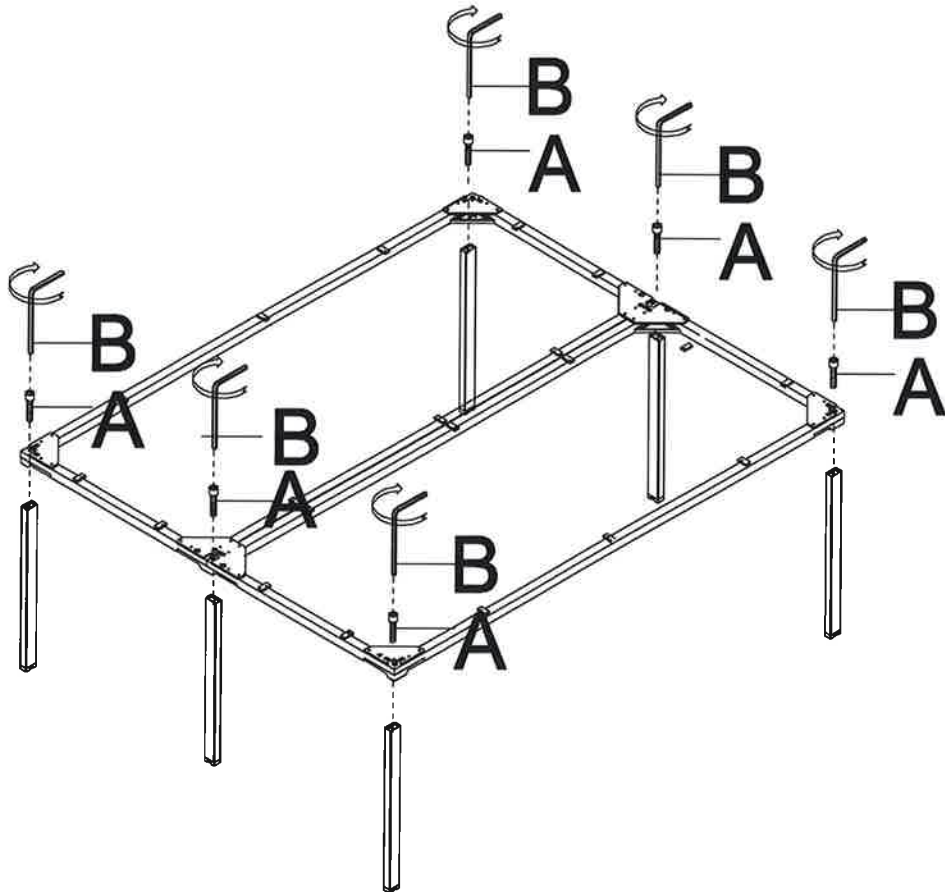
Desk top with 2 grommets(2x)



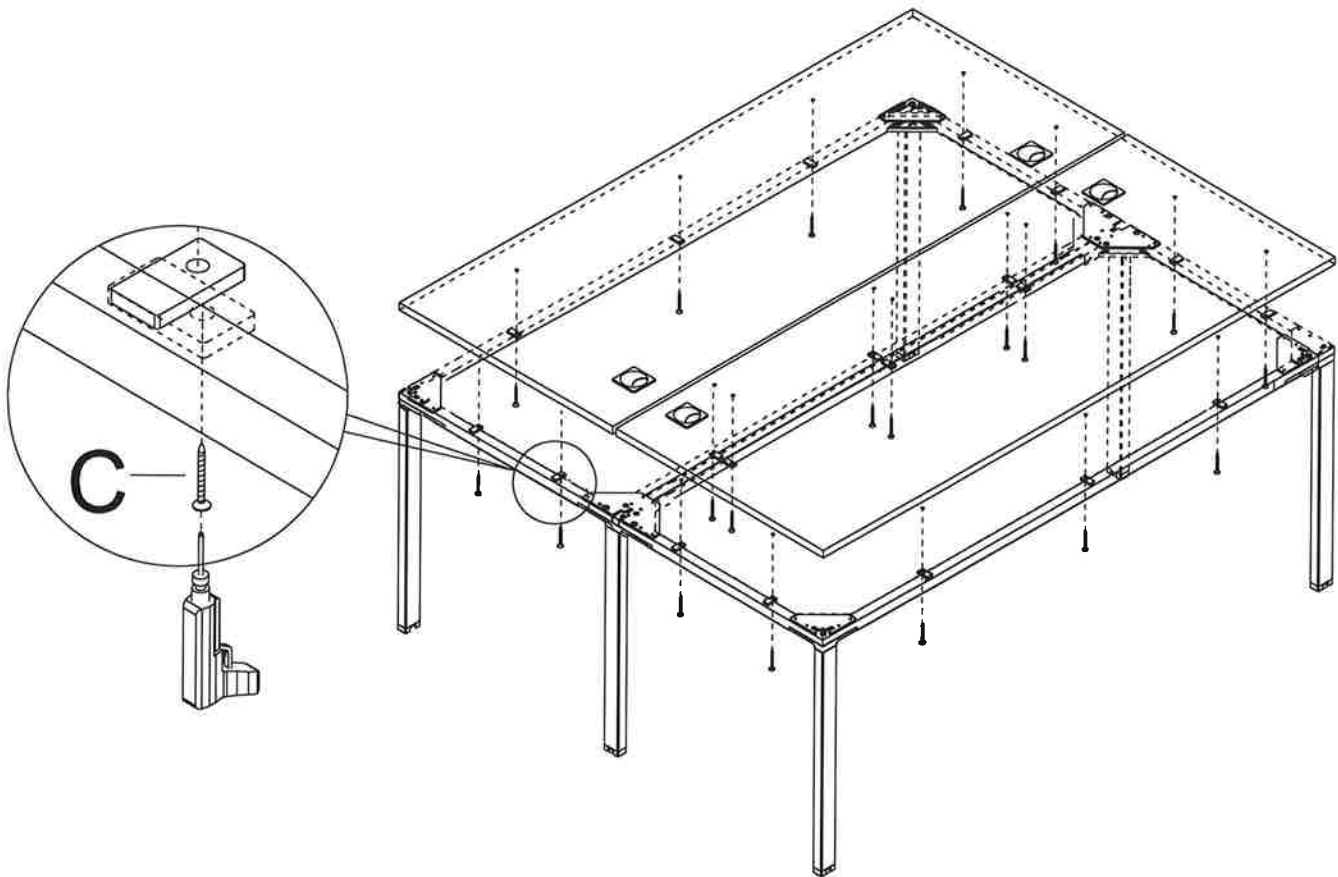
Assembly HARDWARE

S/N	PICTURE	NAME	TOTAL QTY	REMARK
A		M6*35 Leg screw	6PCS	
B		6M Wrench	1PCS	
C		M6*19 Top screw	20PCS	

1. INSTALL LEGS TO FRAME USING "A" LEG SCREWS, THEN TIGHTEN WITH "B" WRENCH.
A(6x)
B(1X)

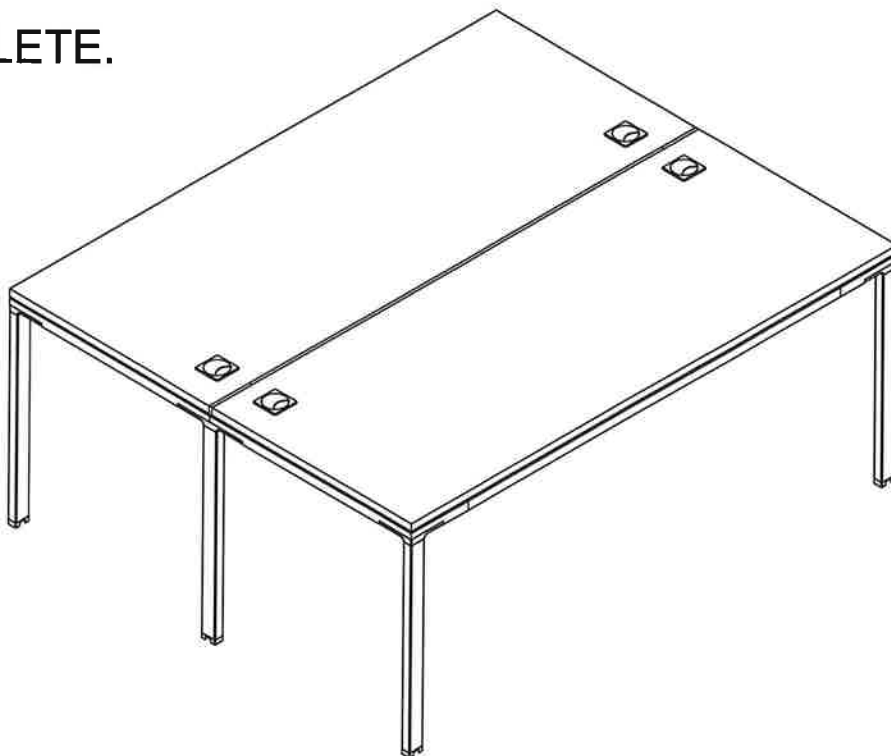


2. CONNECT DESK TOPS TO FRAME USING "C" TOP SCREWS, USE POWER DRILL FOR CONNECTION.
C (20X)



Note: If Installing Desktop divider, Install one desktop first, then see divider instructions before attaching second desktop.

3. COMPLETE.



4.