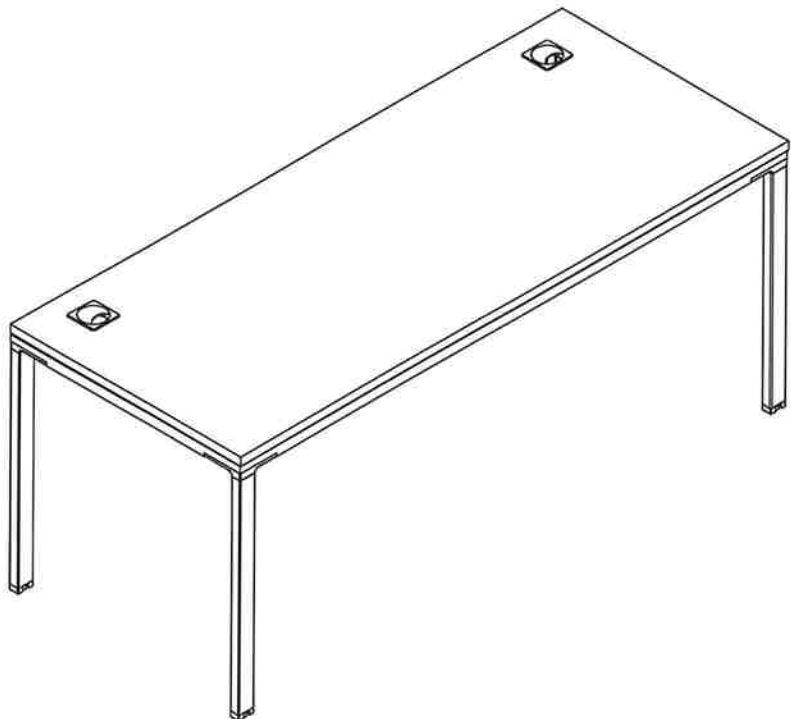


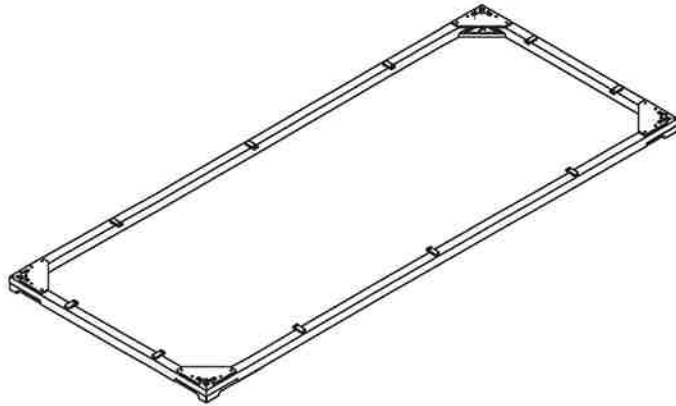


**71" AND 59" DESK
Assembly Instructions**



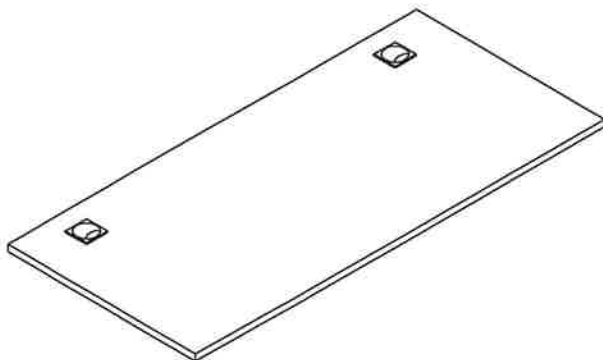
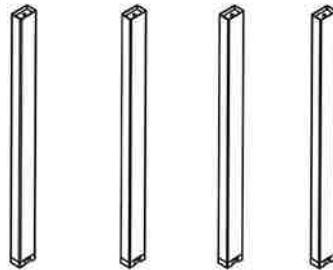
**O-EMDA1885D
O-EMDA1560D**

PART LIST



Frame(1x)




Legs(4x)



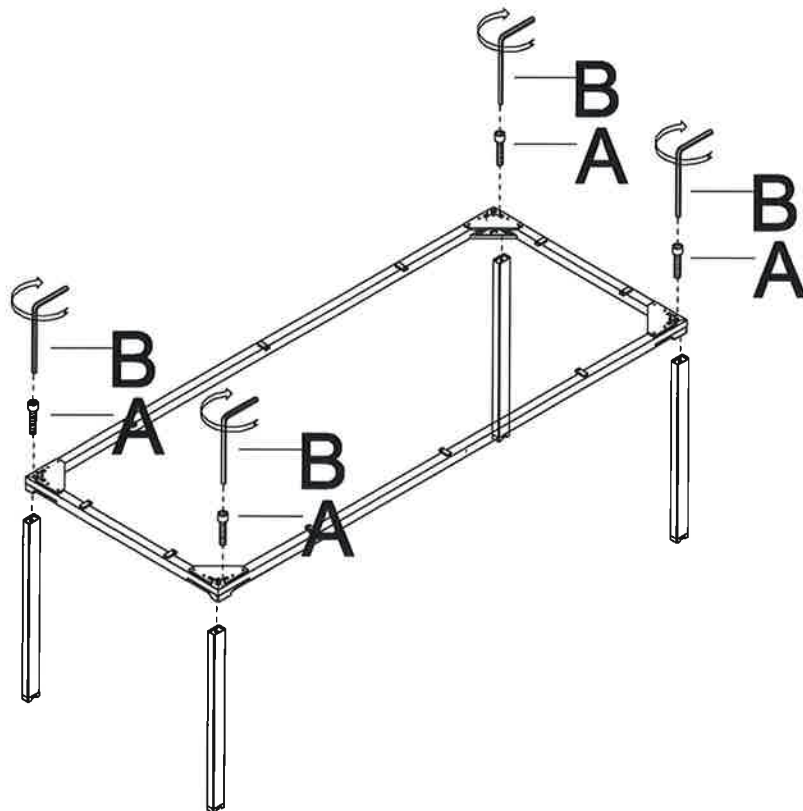
**Desk top With 2
grommets(1x)**



Assembly HARDWARE

S/N	PICTURE	NAME	TOTAL QTY	REMARK
A		M6*35 Leg screw	4PCS	
B		6M Wrench	1PCS	
C		M6*19 Top screw	10PCS	

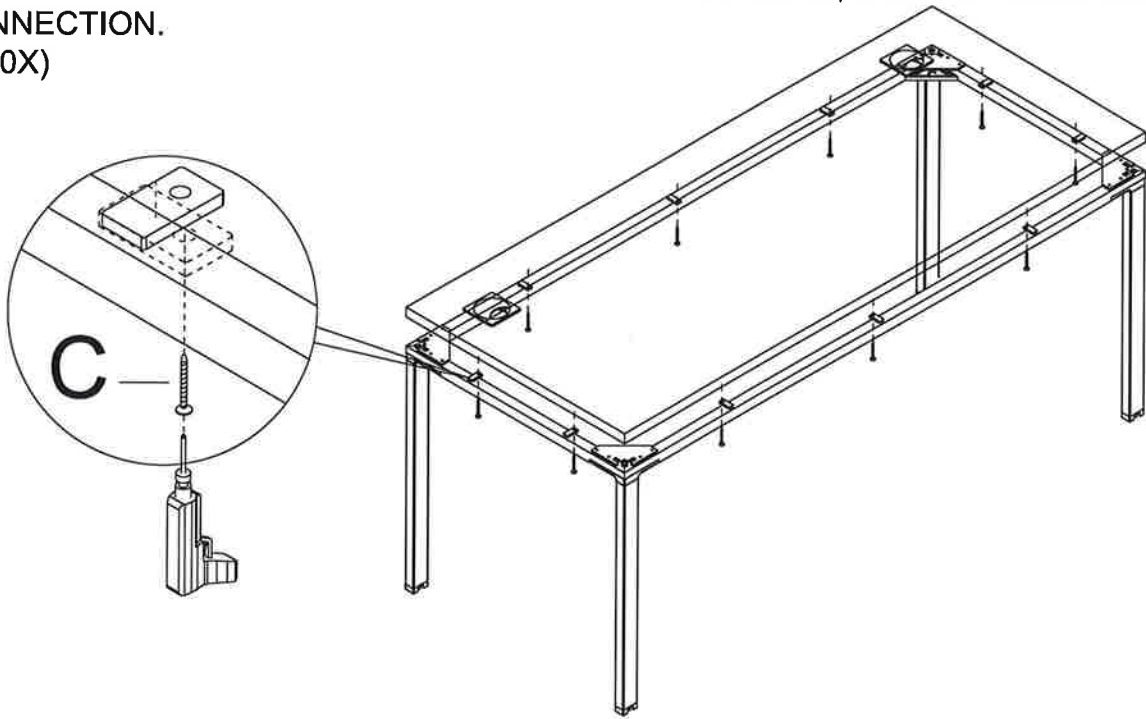
1. INSTALL LEGS USING "A" LEG SCREWS, THEN TIGHTEN WITH "B" WRENCH.
A(4x)
B(1X)



Note: If Creating L-Desk, Install top after installing return. Please see return instructions.

3.

2. CONNECT DESK TOP TO FRAME USING "C" TOP SCREWS, USE POWER DRILL FOR CONNECTION.
C (10X)



3. COMPLETE.

